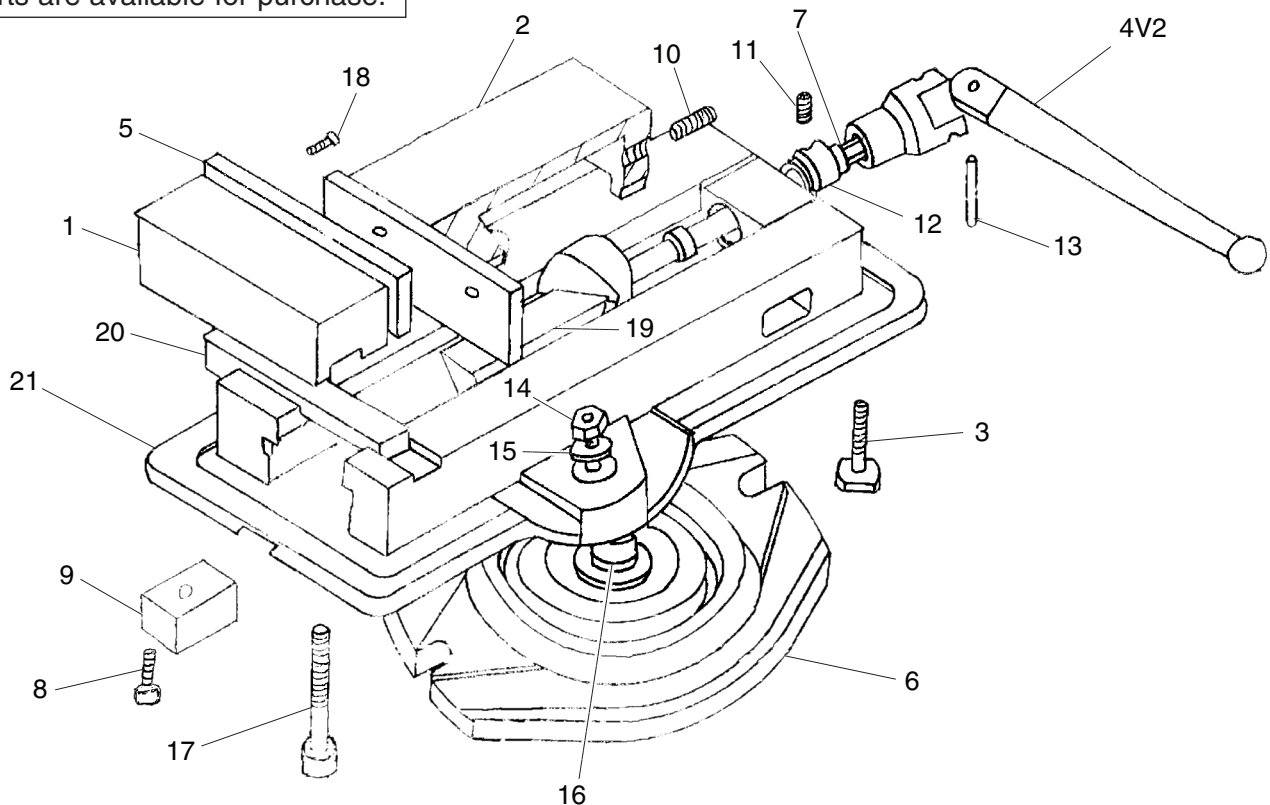




MODEL G7154 5" MILLING VISE PARTS INFORMATION

Parts information is provided for service purposes only. Not all parts are available for purchase.



REF	PART #	DESCRIPTION
1	P7154001	FIXED JAW
2	P7154002	MOVABLE JAW
3	P7154003	T-BOLT M14-2 x 50
4V2	P7154004V2	HANDLE 14.22MM SOCKET V2.01.05
5	P7154005	JAW FACE
6	P7154006	PIVOT BASE
7	P7154007	LEADSCREW
8	PCAP50M	CAP SCREW M5-.8 X 10
9	P7154009	ALIGNMENT BLOCK
10	PSS19M	SET SCREW M8-1.25 X 30
11	PSS02M	SET SCREW M6-1 X 6

REF	PART #	DESCRIPTION
12	P7154012	RING BLOCK
13	P7154013	ROLL PIN
14	PN09M	HEX NUT M12-1.75
15	PW06M	FLAT WASHER 12MM
16	P7154016	PIVOT BOLT
17	PCAP35M	CAP SCREW M8-1.25 X 60
18	PCAP11M	CAP SCREW M8-1.25 X 16
19	P7154019	LEADSCREW BRACKET
20	P7154020	KEY
21	P7154021	WISE BASE

COPYRIGHT © AUGUST, 2009 BY GRIZZLY INDUSTRIAL, INC.
**WARNING: NO PORTION OF THIS DOCUMENT MAY BE REPRODUCED IN ANY SHAPE
OR FORM WITHOUT THE WRITTEN APPROVAL OF GRIZZLY INDUSTRIAL, INC.**
#TS12056 PRINTED IN CHINA