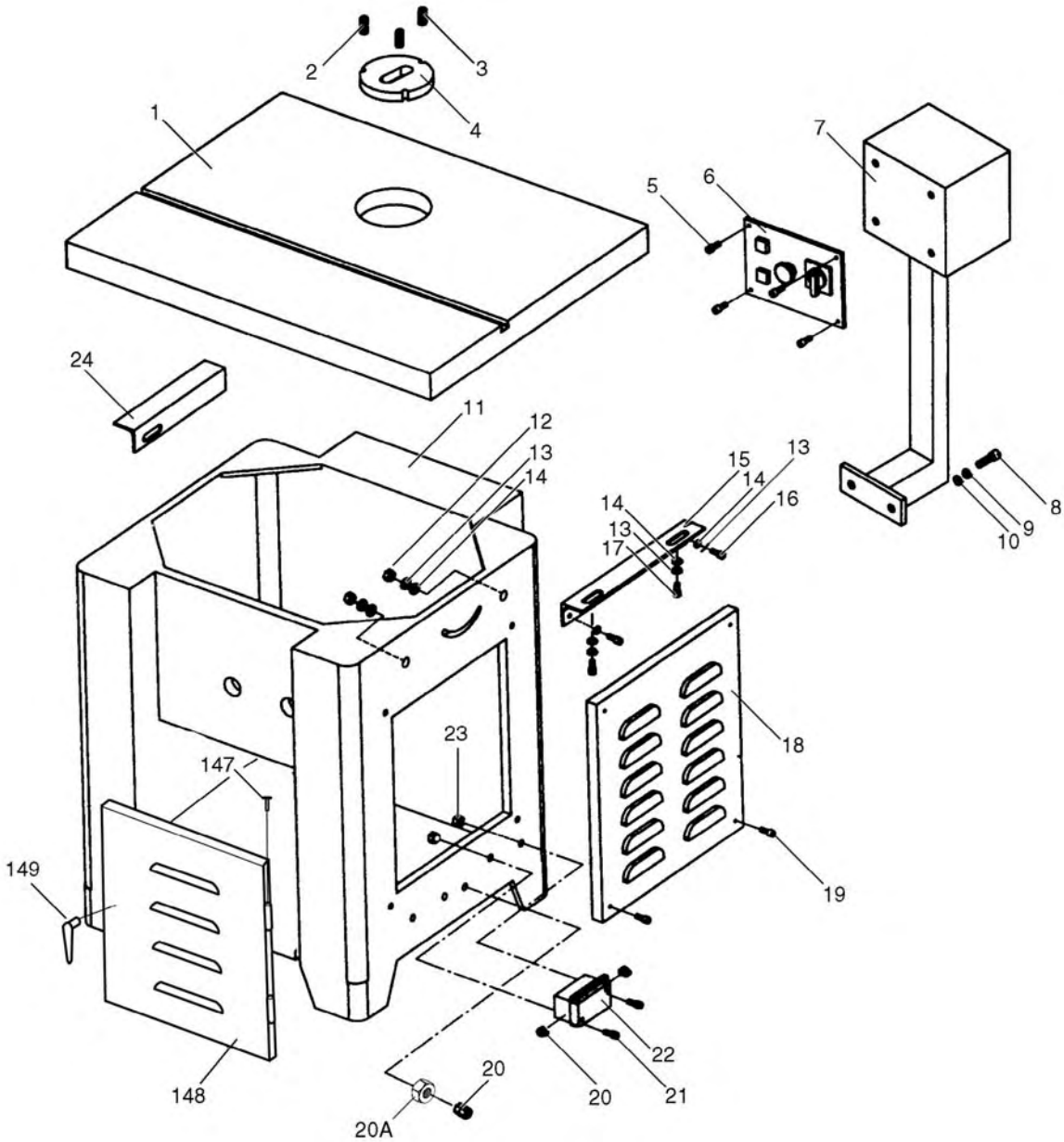


# Cabinet Parts Breakdown



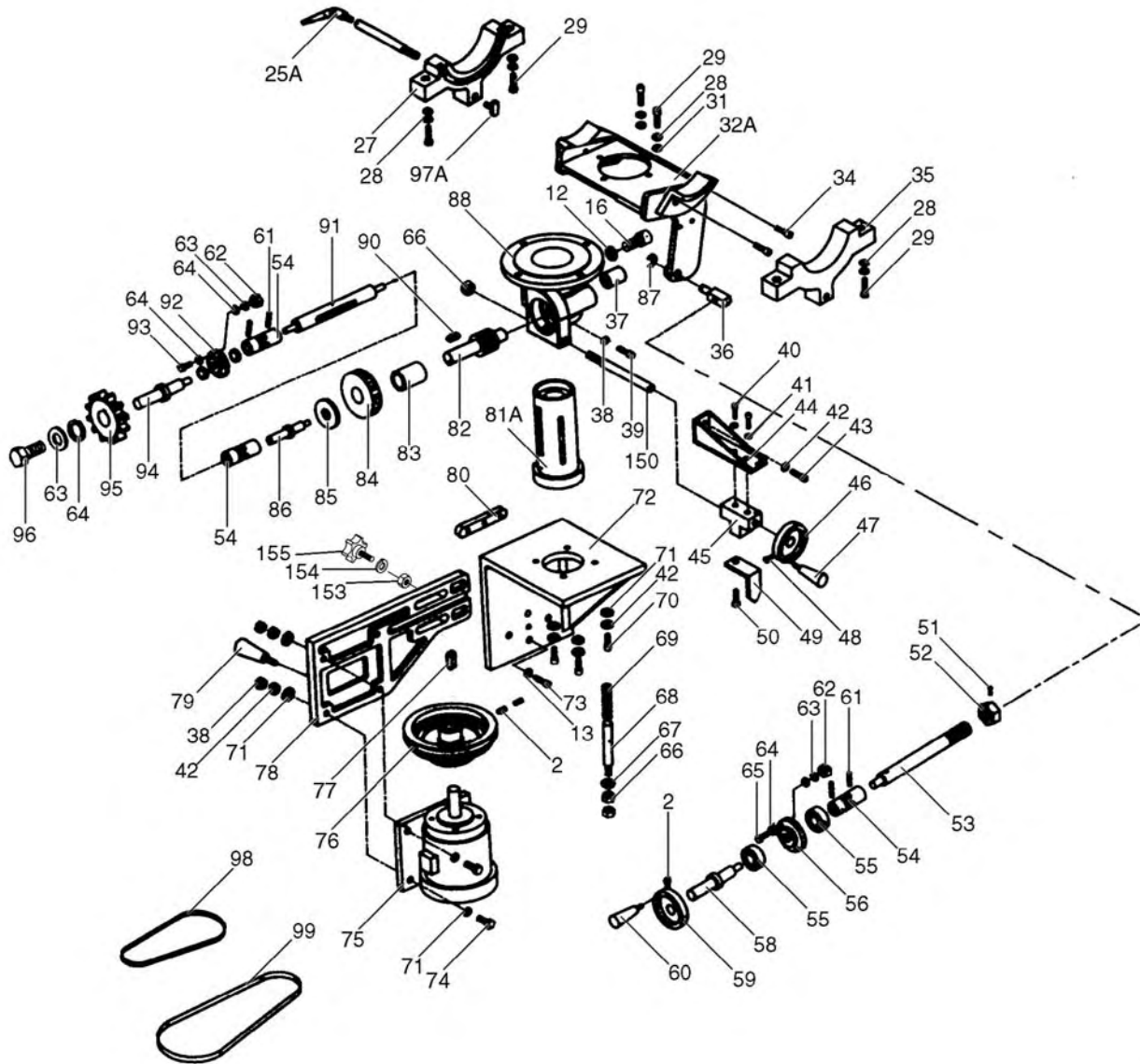
# Cabinet Parts List

REF	PART #	DESCRIPTION
1	P5913Z001	TABLE
2	PSS23	SET SCREW 5/16-24 X 5/8
3	PS08	PHLP HD SCR 10-20 X 3/4
4	P5913Z004	TABLE INSERT
5	PS04	PHLP HD SCR 1/4-20 X 1/2
6	P5913Z006	SWITCH ASSY 5 HP (G5912Z)
6	P7215Z006	SWITCH ASSY 7.5 HP (G7215Z)
7	P5913Z007	SWITCH PEDESTAL ARM
8	PB16	HEX BOLT 3/8-16 X 1-1/2
9	PW02	FLAT WASHER 3/8
10	PN08	HEX NUT 3/8-16
11	P5913Z011	STAND ASSEMBLY
12	PN08	HEX NUT 3/8-16
13	PLW04	LOCK WASHER 3/8
14	PW02	FLAT WASHER 3/8

REF	PART #	DESCRIPTION
15	P5913Z015	TABLE BRACE (R)
16	PB18	HEX BOLT 3/8-16 X 1
17	PB21	HEX BOLT 3/8-16 X 3/4
18	P5913Z018	MOTOR COVER
19	PS02	PHLP HD SCR 1/4-20 X 3/4
20	P5913Z020	CONNECTOR
20A	P5913Z020A	CONNECTOR NUT
21	PS08	PHLP HD SCR 10-24 X 3/4
22	P5913Z022	ELECTRICAL BOX
23	PN07	HEX NUT 10-24
24	P5913Z024	TABLE BRACE (L)
147	P5913Z147	PIN
148	P5913Z148	COVER
149	P5913Z149	COVER HANDLE



# Motor Parts Breakdown



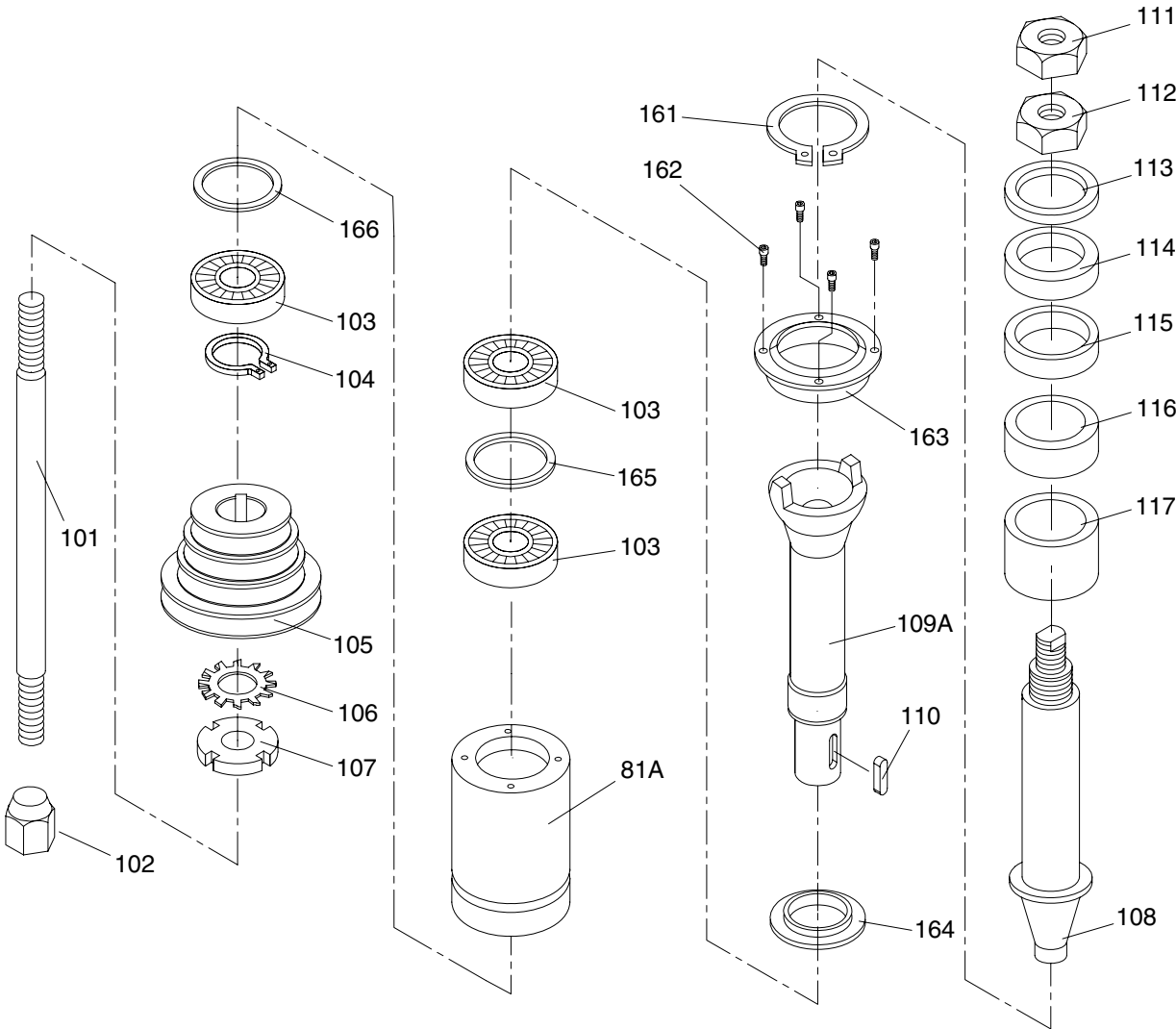
# Motor Parts List

REF	PART #	DESCRIPTION
2	PSS23	SET SCREW 5/16-24 X 5/8
12	PN08	HEX NUT 3/8-16
13	PLW04	LOCK WASHER 3/8
16	PB18	HEX BOLT 3/8-16 X 1
25A	P5913Z025A	HANDLE LOCK
27	P5913Z027	TRUNNION SUPPORT (L)
28	PLW04	LOCK WASHER 3/8
29	PSB19	CAP SCREW 3/8-16 X 1-1/4
31	PW02	FLAT WASHER 3/8
32A	P5913Z032A	TRUNNION BRACKET
34	PSB19	CAP SCREW 3/8-16 X 1-1/4
35	P5913Z035	TRUNNION SUPPORT (R)
36	P5913Z036	HEX SHAFT 5/8-11
37	P5913Z037	COLLAR
38	PN02	HEX NUT 5/16-18
39	PB03	HEX BOLT 5/16-18 X 1
40	PB02	HEX BOLT 1/4-20 X 5/8
41	PW06	FLAT WASHER 1/4
42	PW07	FLAT WASHER 5/16
43	PB07	HEX BOLT 5/16-18 X 3/4
44	P5913Z044	FIXED SOCKET
45	P5913Z045	FIXED T-SOCKET
46	P5913Z046	HANDWHEEL
47	P1023009	HANDLE
48	PSS08	SET SCREW 5/16-18 X 1/2
49	P5913Z049	POINTER
50	PS18	PHLP HD SCR 10-24 X 1/4
51	PSS11	SET SCREW 1/4-20 X 1/4
52	P5913Z052	HEX NUT 5/8-11
53	P5913Z053	WORM SHAFT
54	P5913Z054	UNIVERSAL JOINT
55	P5913Z055	THRUST BEARING 15 X 32 X 12
56	P5913Z056	BASE GEAR SHAFT
58	P5913Z058	BAR LOCK
59	P5913Z059	HANDWHEEL
60	P5913Z060	HANDLE
61	PK12M	KEY 5 X 5 X 30
62	PN05	HEX NUT 1/4-20
63	PLW02	LOCK WASHER 1/4
64	PW06	FLAT WASHER 1/4

REF	PART #	DESCRIPTION
65	PB13	HEX BOLT 1/4-20 X 1-1/4
66	PN06	HEX NUT 1/2-13
67	PW01	FLAT WASHER 1/2
68	P5913Z068	SHAFT SPRING 3/8 x 340
69	P5913Z069	SPRING - HELICAL 3.4 X 20.3
70	PSB03	CAP SCREW 5/16-18 X 1
71	PW07	FLAT WASHER 5/16
72	P5913Z072	MOTOR PLATE
73	PB21	HEX BOLT 3/8-16 X 3/4
74	PB12	HEX BOLT 5/16-18 X 1-1/4
75	P5913Z075	MOTOR 5 HP (G5913Z)
75	P7215Z075	MOTOR 7-1/2 HP (G7215Z)
76	P5913Z076	MOTOR PULLEY
77	PK41M	KEY 8 X 8 X 40
78	P5913Z078	MOTOR BASE
79	P5913Z079	KNOB
80	P5913Z080	KEY 3/4 X 3/4 X 1
81A	P5913Z081A	QUILL
82	P5913Z082	GEAR SHAFT
83	P5913Z083	COLLAR
84	P5913Z084	GEAR
85	P5913Z085	GEAR WASHER
86	P5913Z086	LOCK SCREW
87	PR05M	EXT RETAINING RING 15MM
88	P5913Z088	SPINDLE BASE
90	PK37M	KEY 4 X 4 X 16
91	P5913Z091	LOCK BAR
92	P5913Z092	BASE GEAR
93	PB31	HEX BOLT 1/4-20 X 1
94	P5913Z094	LOCK SCREW
95	P5913Z095	HANDWHEEL
96	PB02	HEX BOLT 1/4-20 X 5/8
97A	P5913Z097A	T-TYPE NUT 3/8-16
98	PVA30	V-BELT A-30 4L300
99	PVA28	V-BELT A-28 4L280
150	P5913Z150	SHAFT GEAR
152	PLW07	LOCK WASHER 1/2
153	PW01	FLAT WASHER 1/2
155	P5913Z155	KNOB



# Spindle Parts Breakdown



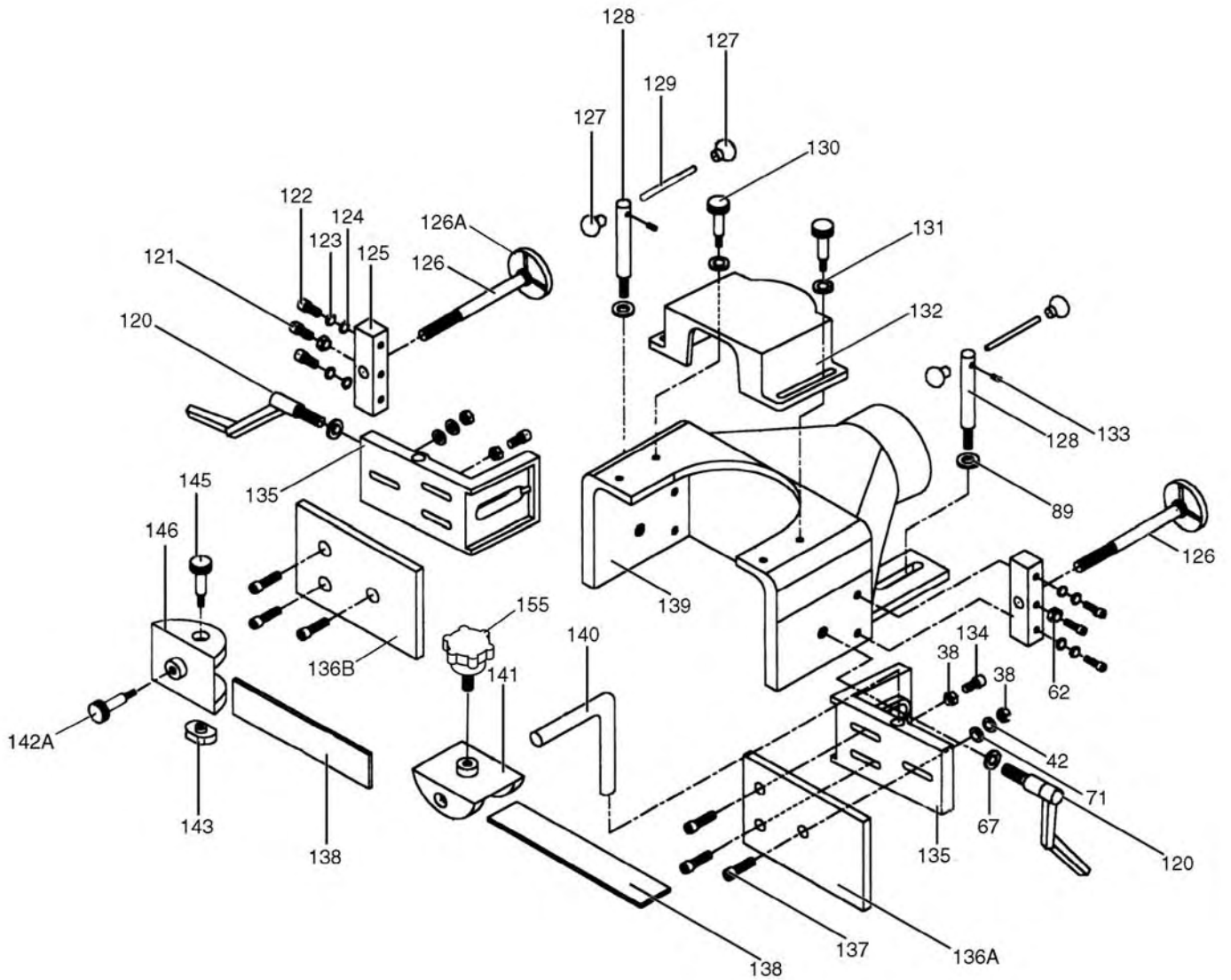
# Spindle Parts List

REF	PART #	DESCRIPTION
81A	P5913 081A	QUILL
101	P5913 101	LOCK BOLT 5/8
102	P5913 102	LOCK NUT 5/8-11
103	P6008	BALL BEARING 6008 -K
104	PR23M	INT RETAINING RING 40MM
105	P5913 105	SPINDLE PULLEY
106	PTLW15M	EXT TOOTH WASHER 30MM
107	P5913 107	SPANNER NUT
108	P5912 036	SPINDLE 1 1/4"
109A	P5913 109A	SPINDLE CARTRIDGE
110	PK55M	KEY 7 X 7 X 40
111	PN03-1	HEX NUT 3/4-16 (LH)

REF	PART #	DESCRIPTION
112	PN32	HEX NUT 1-14
113	P5913 113	COLLAR 1-1/4 X 1/4 1PC
114	P5913 114	COLLAR 1-1/4 X 3/8 1PC
115	P5913 115	COLLAR 1-1/4 X 1/2 2PCS
116	P5913 116	COLLAR 1-1/4 X 3/4 2PCS
117	P5913 117	COLLAR 1-1/4 X 1 2PCS
161	PR43M	EXT RETAINING RING 50MM
162	PSB17M	CAP SCREW M4-.7 X 10
163	P5913 163	OUTER DUST COVER
164	P5913 164	INNER DUST COVER
165	P5913 165	ALTERNATING RING
166	P5913 166	WAVY RING



# Fence Guard Breakdown



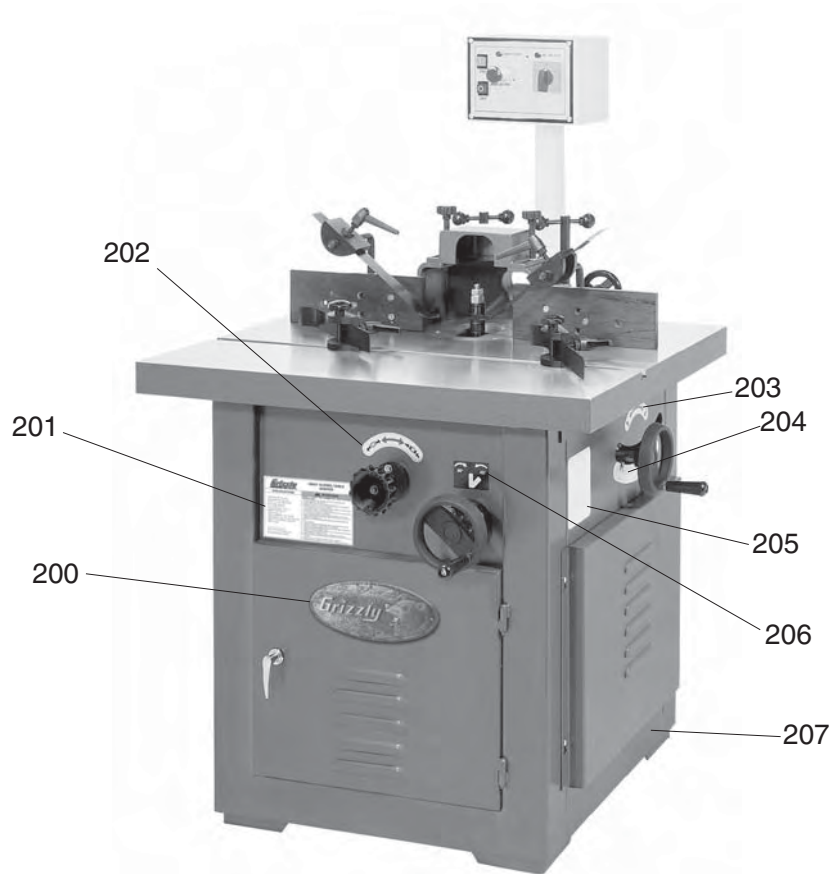
# Fence Guard Parts List

REF	PART #	DESCRIPTION
38	PN02	HEX NUT 5/16-18
42	PW07	FLAT WASHER 5/16
62	PN05	HEX NUT 1/4-20
67	PW01	FLAT WASHER 1/2
71	PW07	FLAT WASHER 5/16
89	PW01	FLAT WASHER 1/2
120	P5913Z120	HANDLE LOCK
121	PB05	HEX BOLT 1/4-20 X 3/4
122	PB19	HEX BOLT 1/4-20 X 1/2
123	PLW02	LOCK WASHER 1/4
124	PW06	FLAT WASHER 1/4
125	P5913Z125	GUIDESCREW BRACKET
126	P5913Z126	GUIDESCREW
126A	P5913Z126A	HANDWHEEL
127	P5913Z127	KNOB
128	P5913Z128	GUIDE SHAFT
129	P5913Z129	BAR
130	P5913Z130	KNOB

REF	PART #	DESCRIPTION
131	PW07	FLAT WASHER 5/16
132	P5913Z132	GUARD PLATE
133	PSS11	SET SCREW 1/4-20 X 1/4
134	PB07	HEX BOLT 5/16-18 X 3/4
135	P5913Z135	FENCE BRACKET ASSY RH
136A	P5913Z136A	WOODEN FENCE (R)
136B	P5913Z136B	WOODEN FENCE (L)
137	PS11	PH SCREW 5/16-18 X 1-1/4
138	P5912Z118	HOLD-DOWN PLATE
139	P5912Z119	GUARD
140	P5912Z120	HOLD-DOWN BAR
141	P5912Z121	HOLD-DOWN BRACKET
142A	P5912Z167	KNOB BOLT 3/8-16 X 1
143	P5912Z123	HEX NUT
144	P5913Z144	FENCE BRACKET ASSY LH
145	P5912Z125	KNOB
146	P5912Z124	HOLD-DOWN BRACKET
155	P5913Z155	KNOB



# Safety Label Parts Breakdown



REF	PART #	DESCRIPTION
200	G8589	GRIZZLY LOGO PLATE
201	P5913Z201	MACHINE ID LABEL
202	P5913Z202	LOCK/UNLOCK LABEL
203	P5913Z203	ROTATION LABEL

REF	PART #	DESCRIPTION
204	P5913Z204	TILT ANGLE SCALE
205	P5913Z205	PULLEY SPEED LABEL
206	P5913Z206	TILT HANDWHEEL LABEL
207	P5913Z207	"GRIZZLY GREEN" TOUCH-UP PAINT

## WARNING

Safety labels warn about machine hazards and ways to prevent injury. The owner of this machine **MUST** maintain the original location and readability of the labels on the machine. If any label is removed or becomes unreadable, **REPLACE** that label before using the machine again. Contact Grizzly at (800) 523-4777 or [www.grizzly.com](http://www.grizzly.com) to order new labels.

