

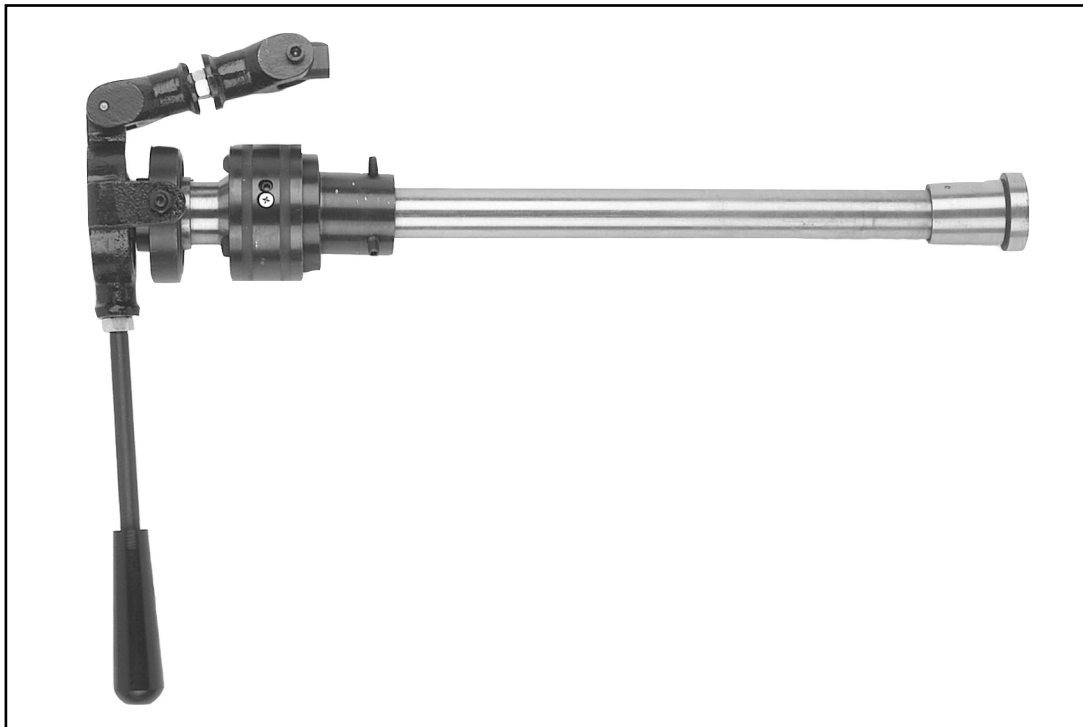


# COLLET CLOSER

## MODEL G8143

# PARTS LIST

*FOR USE WITH METAL CUTTING LATHE MODEL G5960 AND G7958*



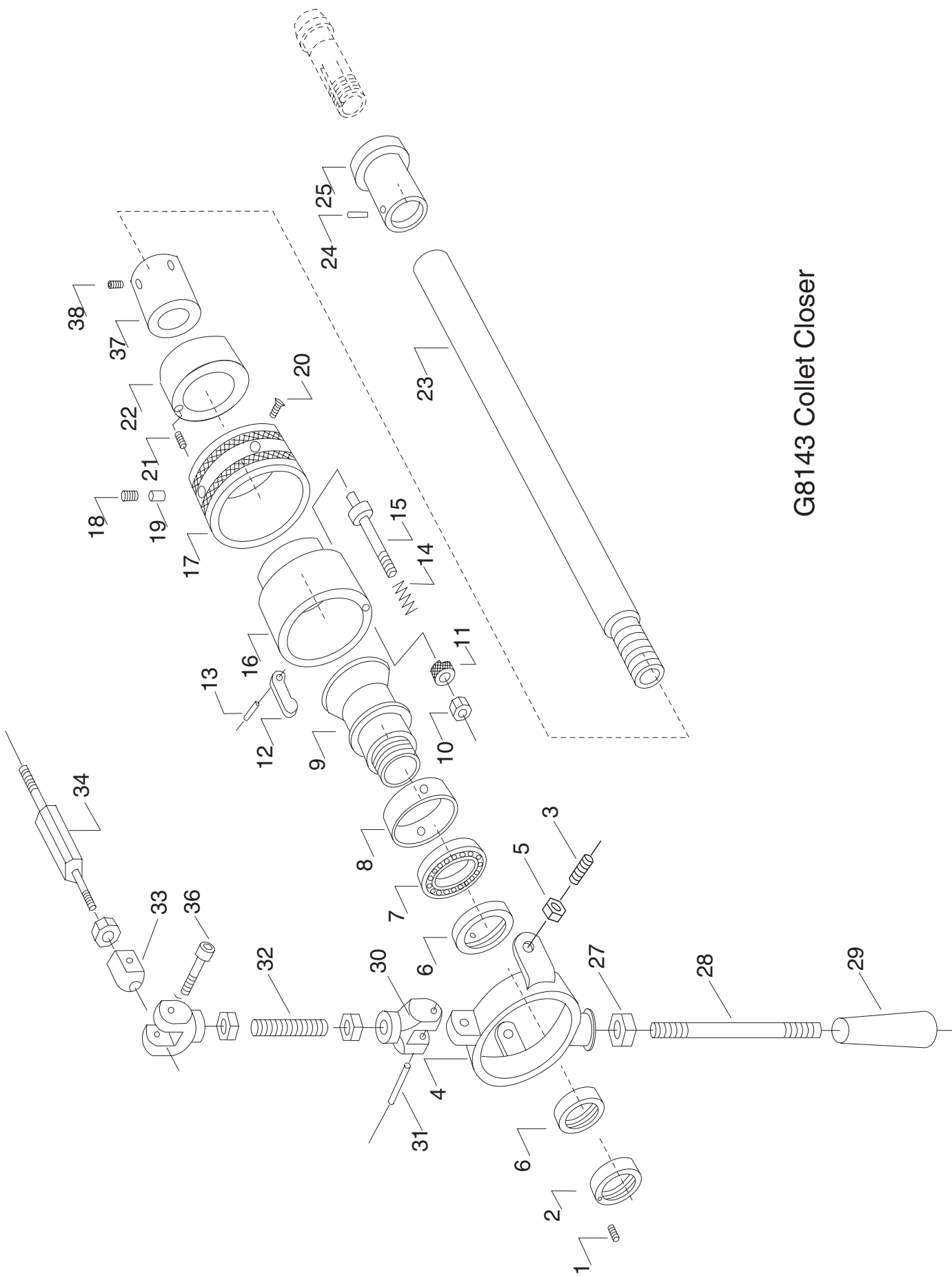
COPYRIGHT © MAY, 2003 BY GRIZZLY INDUSTRIAL, INC.

**WARNING: NO PORTION OF THIS MANUAL MAY BE REPRODUCED IN ANY SHAPE OR FORM WITHOUT THE WRITTEN APPROVAL OF GRIZZLY INDUSTRIAL, INC.**

PRINTED IN CHINA

#### **ONLINE PARTS LIST DISCLAIMER**

THESE PARTS REPRESENT THE CONFIGURATION OF THE MACHINE AS IT IS CURRENTLY BEING SHIPPED. THE MACHINE CONFIGURATION CAN CHANGE AS PRODUCT IMPROVEMENTS ARE INCORPORATED. IF YOU OWN AN EARLIER VERSION OF THE MACHINE, THIS PARTS LIST MAY NOT EXACTLY DEPICT YOUR MACHINE. CONTACT CUSTOMER SERVICE IF YOU HAVE ANY QUESTIONS ABOUT PART DIFFERENCES. PREVIOUS PARTS LIST VERSIONS ARE NOT AVAILABLE ONLINE.



G8143 Collet Closer

REF	PART #	DESCRIPTION
1	PSS01M	SETSCREW M6-1 X 10
2	P4026033	SPANNER NUT M30-1.25 W/ SS
3	P4026009	DOGPOINT SETSCREW M8-1.25 X 38
4	P4026007	LOCKING YOKE
5	PN03M	HEX NUT M8-1.25
6	P4026034	SPANNER NUT M30-1.25
7	P6208	CARTRIDGE BALL BEARING 6208ZZ
8	P4026023	BEARING SUPPORT
9	P4026024	CAM
10	PN04M	HEX NUT M4-0.7
11	P4026027	KNURLED KNOB M4-0.7
12	P4026030	COLLET LOCKING PAWL
13	P4026031	PIN
14	P4026029	SPRING
15	P4026026	LOCKING PIN
16	P4026040	SLIDING HUB SLEEVE
17	P4026041	HUB SLEEVE
18	PSS14M	SET SCREW M8-1.25 X 12
19	P4026043	BRASS SUPPORT PIN
20	PFH07M	FLAT HD SCR M5-.8 X 10
21	PSS03M	SETSCREW M6-1 X 8
22	P8143022	FRONT HUB ADAPTER
23	P8143023	DRAW TUBE
24	P4026047	COLLET ADAPTER PIN 3 X 6
25	P4026025	COLLET ADAPTER
27	PN09M	HEX NUT M12-1.75
28	P4026011	HANDLE ROD
29	P4026012	HANDEL
30	P4026018	ROD CONNECTOR
31	P4026017	PIVOT PIN
32	P8143032	STUD
33	P8143033	ROD CONNECTOR
34	P8143034	MOUNTING STUD
36	PSB45M	CAP SCREW M8-1.25 X 45
37	P8143037	HUB ADAPTER SLEEVE
38	PSS60M	SET SCREW M8-1.25 X 14