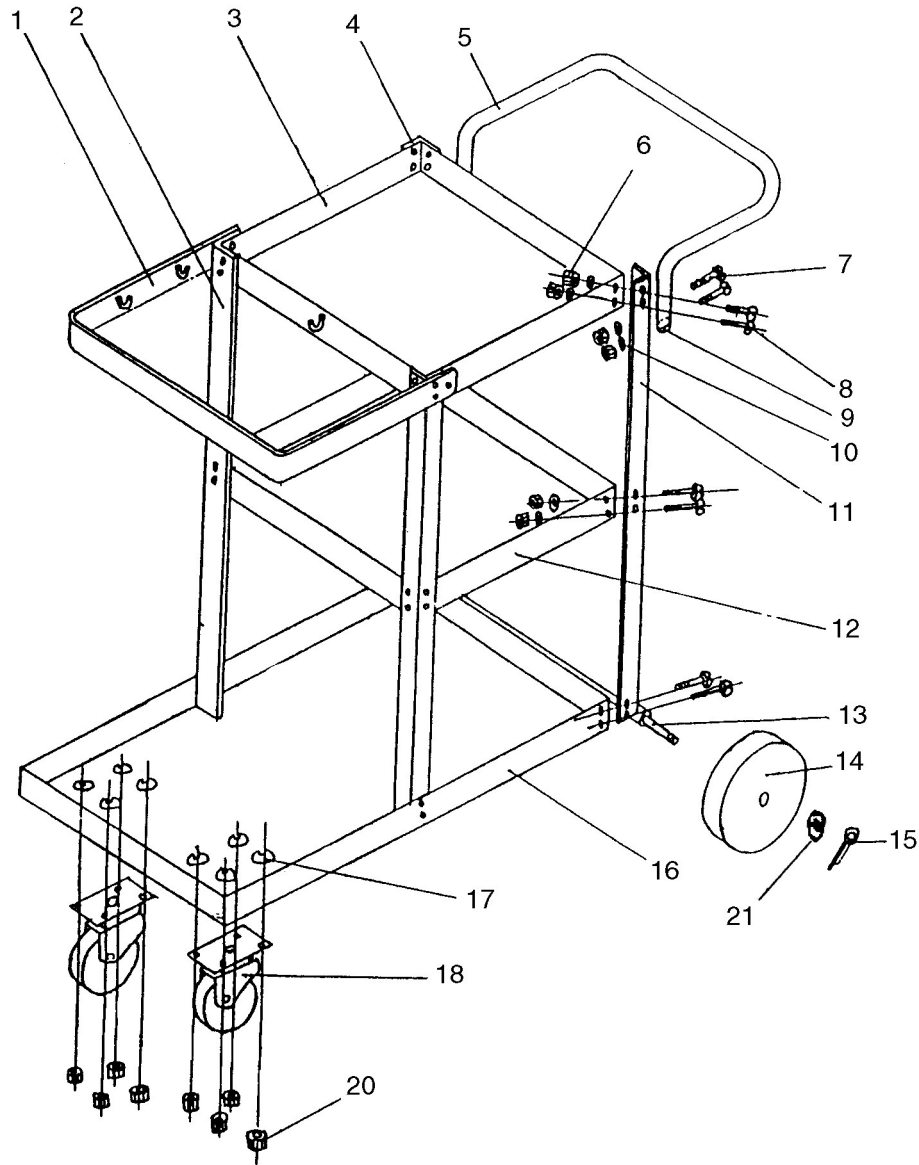


# G8163 Parts Breakdown and List



1	P8163001	SUPPORT BAR
2	P8163002	FRONT POST
3	P8163003	TOP TRAY
4	P8163004	REAR POST (R)
5	P8163005	HANDLE
6	PN01M	HEX NUT M6-1
7	PS31M	SLOT HEAD SCREW M6-1 x 35
8	PS14M	SLOT HEAD SCREW M6-1 X 12
9	P8163009	HANDLE PLUG
10	PW03M	FLAT WASHER 6MM

11	P8163011	REAR POST (L)
12	P8163012	MIDDLE TRAY
13	P8163013	AXLES
14	P8163014	WHEEL 8" X 1.75
15	P0542042	COTTER PIN 2.5 X 35
16	P8163016	BOTTOM TRAY
17	PS16M	SLOT HEAD SCREW M8-1.25 X 16
18	P8163018	SWIVEL CASTER SC37
20	PN03M	HEX NUT M8-1.25
21	PW08M	FLAT WASHER 16MM

COPYRIGHT © JUNE, 2004 BY GRIZZLY INDUSTRIAL, INC.  
**WARNING: NO PORTION OF THIS MANUAL MAY BE REPRODUCED IN ANY SHAPE  
OR FORM WITHOUT THE WRITTEN APPROVAL OF GRIZZLY INDUSTRIAL, INC.**  
#TR6387 PRINTED IN CHINA