

# *Grizzly* **Industrial, Inc.**®

## **3 WHEEL 12" BANDSAW MODEL G8976 PARTS LIST**



COPYRIGHT © APRIL, 2003 BY GRIZZLY INDUSTRIAL, INC.

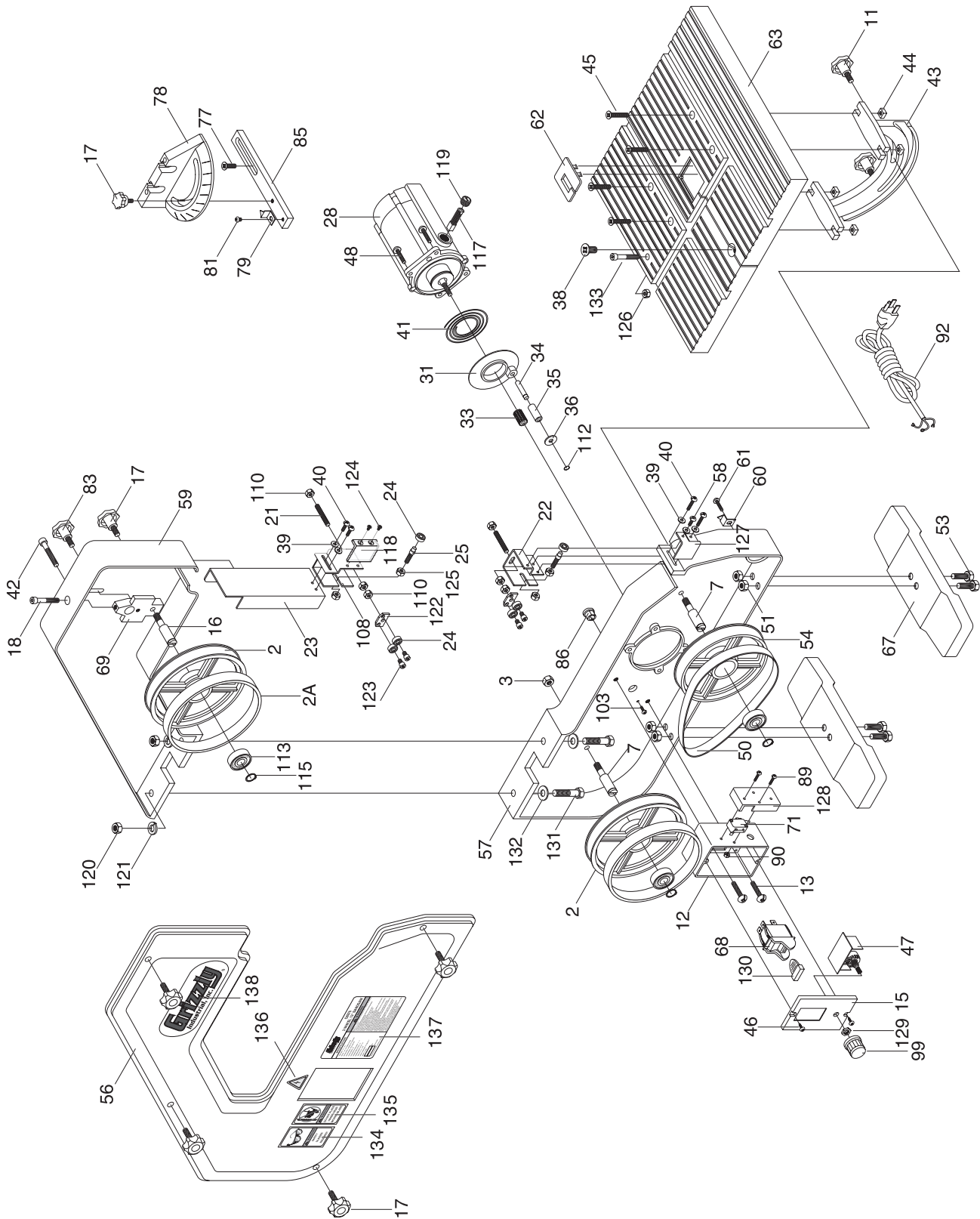
**WARNING: NO PORTION OF THIS MANUAL MAY BE REPRODUCED IN ANY SHAPE OR FORM WITHOUT THE WRITTEN APPROVAL OF GRIZZLY INDUSTRIAL, INC.**

#505203624, PRINTED IN CHINA

#### **ONLINE PARTS LIST DISCLAIMER**

THESE PARTS REPRESENT THE CONFIGURATION OF THE MACHINE AS IT IS CURRENTLY BEING SHIPPED. THE MACHINE CONFIGURATION CAN CHANGE AS PRODUCT IMPROVEMENTS ARE INCORPORATED. IF YOU OWN AN EARLIER VERSION OF THE MACHINE, THIS PARTS LIST MAY NOT EXACTLY DEPICT YOUR MACHINE. CONTACT CUSTOMER SERVICE IF YOU HAVE ANY QUESTIONS ABOUT PART DIFFERENCES. PREVIOUS PARTS LIST VERSIONS ARE NOT AVAILABLE ONLINE.

# Parts Diagrams & Lists



REF	PART #	DESCRIPTION
2	P8976002	WHEEL
2A	P8976002	TIRE
3	PN03M	HEX NUT M8-1.25
7	P8976007	SHAFT
11	P8976011	KNOB BOLT M6-1 X 25
12	P8976012	SWITCH BOX
13	PS14M	PHLP HD SCR M6-1 X 12
15	P8976015	SWITCH COVER
16	P8976016	SHAFT
17	P8976017	KNOB BOLT M8-1 X 15
18	PSB29M	CAP SCREW M6-1 X 40
21	P8976021	SPECIAL SCREW M5-.8 X 15
22	P8976022	GUIDE HOLDER
23	P8976023	BLADE GUARD
24	P8976024	BALL BEARING 80026
25	P8976025	SHAFT
28	P8976028	MOTOR
31	P8976031	SPRING SEAT
33	P8976033	DRIVE GEAR
34	P8976034	SHAFT
35	P8976035	BUSHING
36	PW03M	FLAT WASHER 6MM
38	PFH17M	FLAT HD SCR M10-1.5 X 16
39	PW05M	FLAT WASHER 4MM
40	PS17M	PHLP HD SCR M4-.7 X 6
41	P8976041	SPRING
43	P8976043	TRUNNION
44	P8976044	SQUARE NUT M6-1.0
45	PFH12M	FLAT HD SCR M6-1 X 25
46	PHTEK1M	TAP SCREW M3.5 X 12 (AB)
47	P8976047	SPEED SWITCH
48	PS08M	PHLP HD SCR M5-.8 X 12
50	P8976050	BELT
51	PN03M	HEX NUT M8-1.25
53	PB07M	HEX BOLT M8-1.25 X 25
54	P8976054	DRIVE WHEEL
56	P8976056	FRONT COVER
57	P8976057	LOWER FRAME
58	PS02M	PHLP HD SCR M4-.7 X 12
59	P8976059	UPPER FRAME
60	P8976060	POINTER
61	PS05M	PHLP HD SCR M5-.8 X 8
62	P8976062	INSERT PLATE
63	P8976063	TABLE
67	P8976067	BASE
68	PSW06	SWITCH 110/220V
69	P8976069	WHEEL SUPPORT
70	P8976070	SAW BLADE (NOT SHOWN)
71	P8976071	MICRO-SWITCH

REF	PART #	DESCRIPTION
77	PFH07M	FLAT HD SCR M5-.8 X 10
78	P8976078	MITER GAUGE
79	P8976079	ANGLE POINTER
81	PS19M	PHLP HD SCR M5-.8 X 6
83	P8976083	KNOB BOLT M6-1 X 28
85	P8976085	GUIDE BAR
86	P8976086	WIRE CLAMP
89	PS13M	PHLP HD SCR M3-.5 X 20
90	PN07M	HEX NUT M3-.5
92	P8976092	POWER CORD 110V, SHORT
99	P8976099	KNOB
103	PS02M	PHLP HD SCR M4-.7 X 12
108	P8976108	GUIDE HOLDER
110	PN01M	HEX NUT M6-1
112	P8976112	CLIP
113	P6201	BALL BEARING 6201
115	P8976115	CLIP
117	P8976117	CARBON BRUSH
118	P8976118	CLEAR PLASTIC GUARD
119	P8976119	BUSHING PLUG
120	PN02M	HEX NUT M10-1.5
121	PLW06M	LOCK WASHER 10MM
122	P8976122	BRACKET
123	PSB53M	CAP SCREW M5-.8 X 18
124	PFH16M	FLAT HD SCR M4-.7 X 3
125	PN01M	HEX NUT M6-1
126	PN01M	HEX NUT M6-1
127	P8976127	LOWER BLADE GUIDE
128	P8976128	COVER
129	P8976129	SPECIAL HEX NUT M4-.7
130	P8976130	SWITCH LOCK
131	PB31M	HEX BOLT M10-1.5 X 40
132	PW04M	FLAT WASHER 10MM
133	PSB06M	CAP SCREW M6-1 X 25
134	PLABEL-11	SAFETY GLASSES 2"X3 5/16"
135	PLABEL-19	HANDS/BS BLADE 2"X3 5/16"H
136	PLABEL-14	ELECTRICITY 1 1/4"X1 3/8"H
137	P8976137	MACHINE ID/WARNING
138	P8976138	LOGO LABEL