

Grizzly
Industrial, Inc.®



3³/₁₆" PORTABLE PLANER

MODEL G9003

PARTS LIST



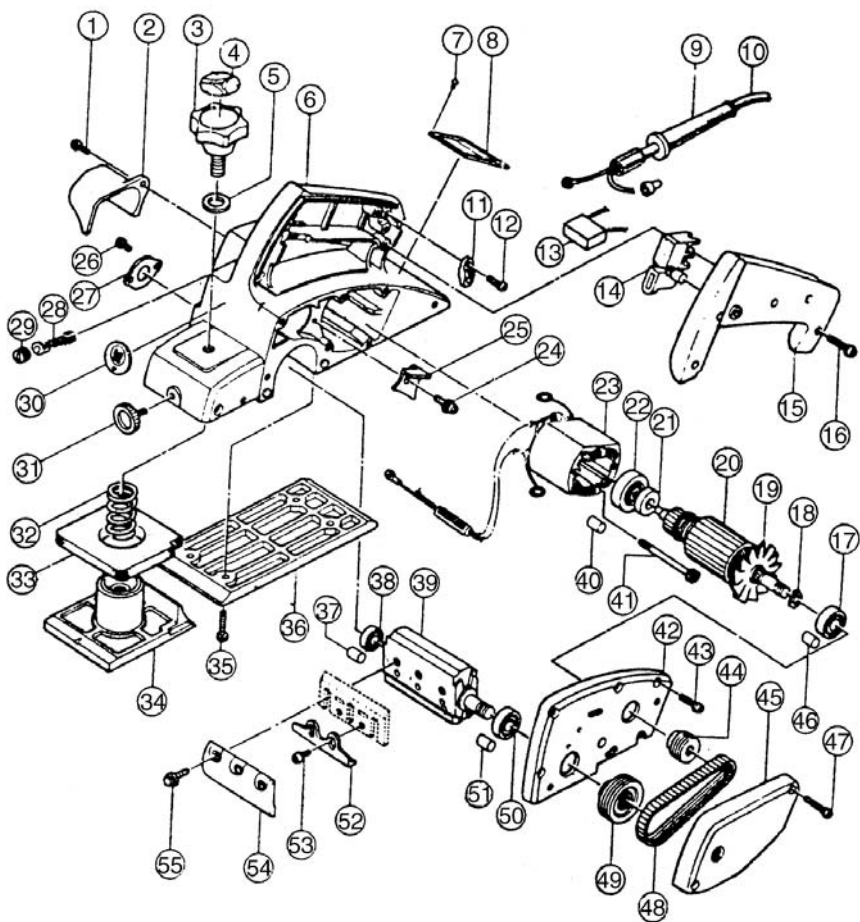
COPYRIGHT ©2000 BY GRIZZLY INDUSTRIAL, INC.
1821 VALENCIA ST., BELLINGHAM, WA 98227

**WARNING: NO PORTION OF THIS MANUAL MAY BE REPRODUCED IN ANY SHAPE
OR FORM WITHOUT THE WRITTEN APPROVAL OF GRIZZLY INDUSTRIAL, INC.**

APRIL, 2000 PRINTED IN U.S.A.

PARTS LIST DISCLAIMER

THIS PARTS LIST AND DRAWINGS REPRESENT THE CONFIGURATION OF THE MACHINE AS IT IS CURRENTLY BEING SHIPPED. THE MACHINE CONFIGURATION CAN CHANGE AS PRODUCT IMPROVEMENTS ARE INCORPORATED. IF YOU OWN AN EARLIER VERSION OF THE MACHINE, THIS PARTS LIST MAY NOT DEPICT YOUR MACHINE EXACTLY. CONTACT CUSTOMER SERVICE IF YOU HAVE ANY QUESTIONS ABOUT PART DIFFERENCES. PREVIOUS PARTS LIST VERSIONS ARE NOT AVAILABLE ONLINE.



Ref. #	Part #	Description
001	P9003001	Pan Hd Screw M4 x 16
002	P9003002	Chip Cover
003	P9003003	Knob
004	P9003004	Scale Plate for Knob
005	P9003005	Flat Washer 10mm
006	P9003006	Main Frame
007	P9003007	Rivet
008	P9003008	Name Plate
009	P9003009	Cord Guard
010	P9003010	Cord
011	P9003011	Strain Relief
012	P9003012	Pan Hd Screw M4 x 18
013	P9003013	Noise Suppressor
014	P9003014	Switch
015	P9003015	Handle Cover
016	P9003016	Pan Hd Screw M4 x 25
017	P9003017	Bearing (6000LL8)
018	P9003018	Stop Ring E-9
019	P9003019	Fan
020	P9003020	Armature Assy (w/17&22)
021	P9003021	Insulation Washer
022	P9003022	Bearing (627LB)
023	P9003023	Field Assembly
024	P9003024	Pan Hd Screw M4 x 16
025	P9003025	Auxiliary Baffle Plate
026	P9003026	Pan Hd Screw M4 x 10
027	P9003027	Bearing Cover
028	P9003028	Carbon Brush

Ref. #	Part #	Description
029	P9003029	Brush Holder Cap
030	P9003030	Indication Plate
031	P9003031	Screw M5 x 10
032	P9003032	Compression Spring
033	P9003033	Rubber Packing
034	P9003034	Front Base
035	P9003035	Pan Hd Screw M5 x 18
036	P9003036	Base
037	P9003037	Rubber Pin
038	P9003038	Bearing (608ZZ)
039	P9003039	Drum
040	P9003040	Rubber Pin
041	P9003041	Hex Hd Bolt M4 x 20
042	P9003042	Bracket
043	P9003043	Pan Hd Screw M4 x 20
044	P9003044	V-Pulley 4-20L
045	P9003045	Belt Cover
046	P9003046	Rubber Pin
047	P9003047	Pan Hd Screw M4 x 25
048	P9003048	Poly V-Belt 4-24L
049	P9003049	V-Pulley 4-37
050	P9003050	Bearing (6000ZZ)
051	P9003051	Ruber Pin
052	P9003052	Adjustment Plate
053	P9003053	Pan Hd Screw M4 x 5
054	P9003054	Drum Plate
055	P9003055	Hex Hd Flange Bolt M6 x 17