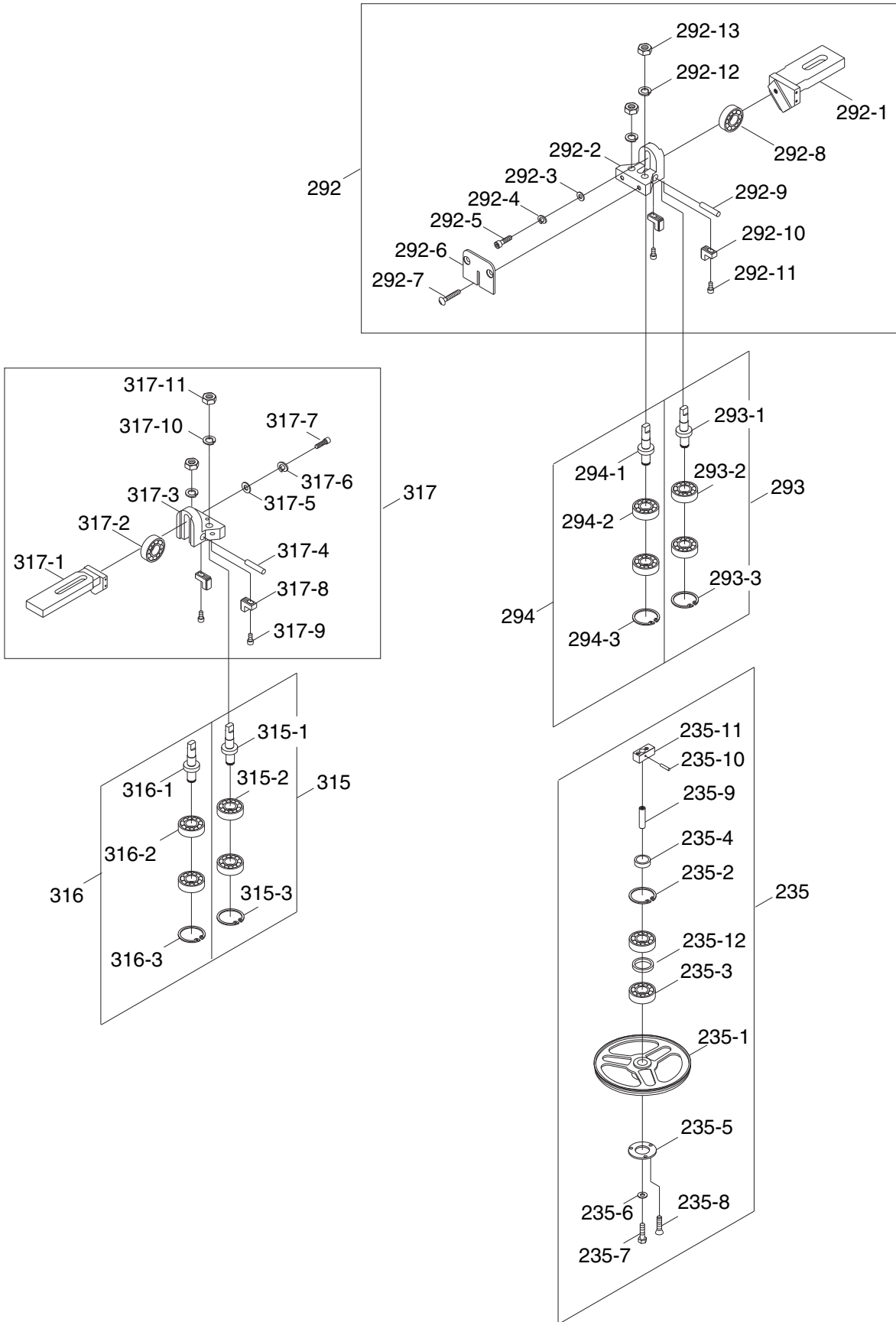
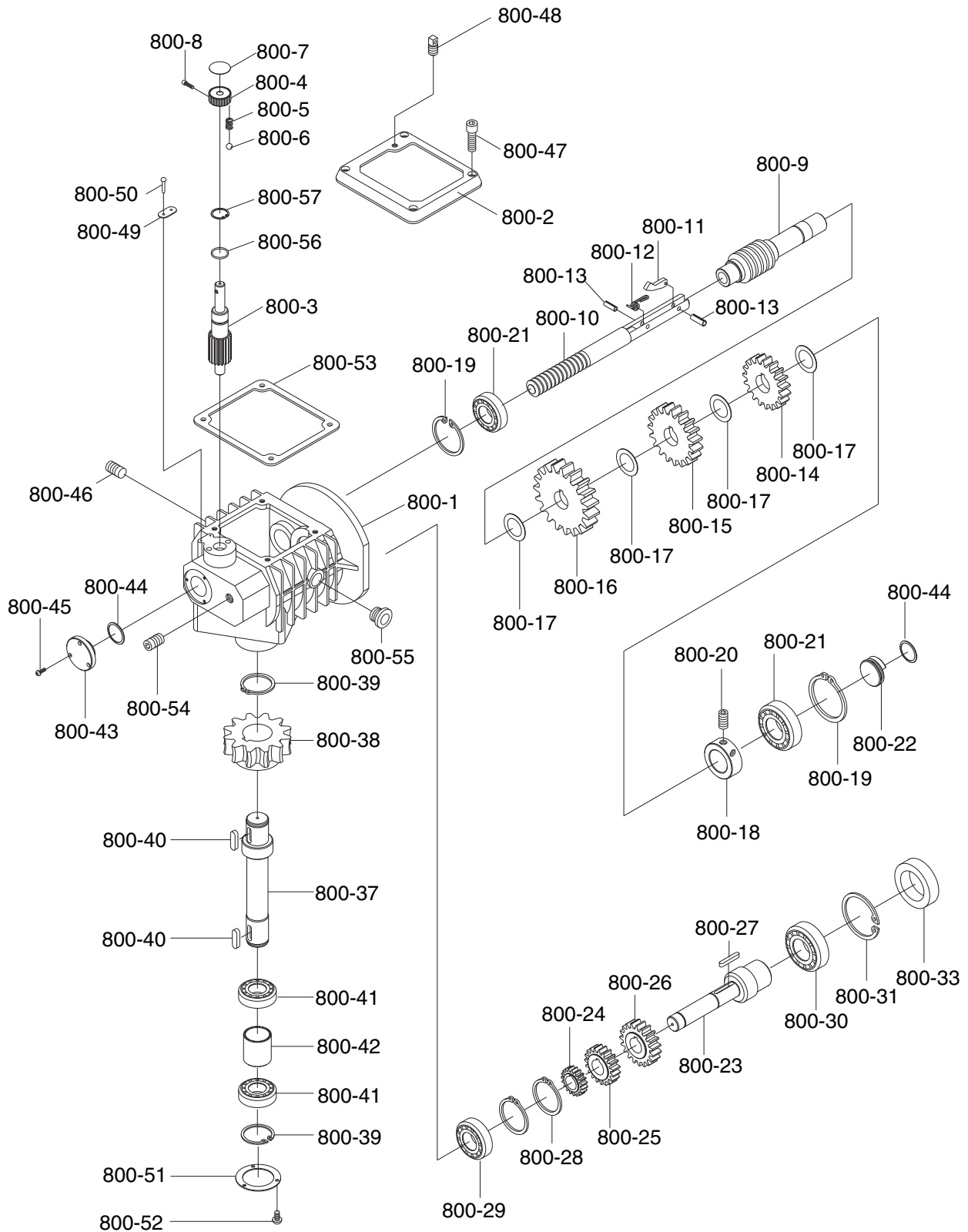


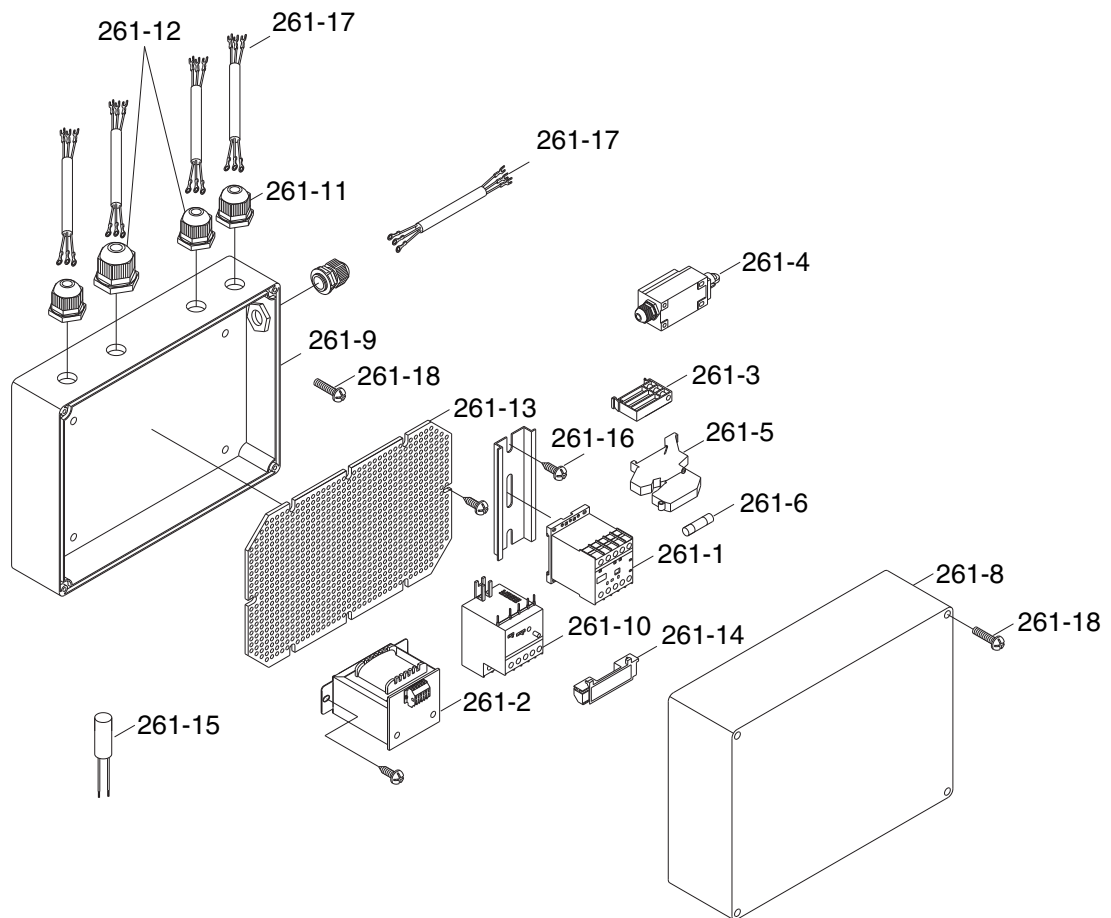
Misc. Assemblies



Gearbox



Electrical Box



Parts List

REF	PART #	DESCRIPTION
1	P9743001	BASE
2	P9743002	ACME SCREW
9	P9743009	ACME NUT
15	P9743015	FIXED BOLT
16	PW01M	FLAT WASHER 3/8
17	P9743017	WISE JAW BRACKET (FRONT)
18	PB16	HEX BOLT 3/8-16 X 1-1/2
19	PN06	HEX NUT 1/2-12
20	PW01	FLAT WASHER 1/2
21	PCB21	CARRIAGE BOLT 1/2-12 X 2 1/2
22	PB42	HEX BOLT 1/2-12 X 2
24	P9743024	WISE JAW BRACKET (REAR)
25	PS06	PHLP HD SCR 10-24 X 3/8
26	PW03	FLAT WASHER #10
27	P9743027	SCALE
28	P9743028	EXTENSION SPRING
29	P9743029	SPRING ADJUSTNG BOLT
30	P9743030	SPRING HANDLE BRACKET
31	PW07	FLAT WASHER 5/16
32	PB07	HEX BOLT 5/16-18 X 3/4
33	PW02	FLAT WASHER 3/8
34	PN08	HEX NUT 3/8-16
35	P9743035	BUSHING
36	P9743036	SUPPORT ROD
37	PB07	HEX BOLT 5/16-18 X 3/4
38	P9743038	PIVOT BRACKET
39	P9743039	BRACKET WASHER
40	PB16	HEX BOLT 3/8-16 X 1-1/2
41	P9743041	STRAIN RELIEF 5/8
42	P9743042	CYLINDER PROTECTOR
43	PW07	FLAT WASHER 5/16
44	PB07	HEX BOLT 5/16-18 X 3/4
45	P9743045	CYLINDER LOWER SUPPORT
46	PW07	FLAT WASHER 5/16
47	PB09	HEX BOLT 5/16-18 X 1/2
48	P9743048	THUMB SCREW
49	PB07	HEX BOLT 5/16-18 X 3/4
50	P9743050	STOCK STOP ROD
51	P9743051	STOP BLOCK
56	P9743056	SHIPPING BRACKET
57	PW07	FLAT WASHER 5/16
58	PB11	HEX BOLT 5/16-18 X 1-1/2
59	PB25	HEX BOLT 3/8-16 X 1-3/4
60	P9743060	SUPPORT PLATE
61	PB07	HEX BOLT 5/16-18 X 3/4
62	PLW01	LOCK WASHER 5/16
63	PN08	HEX NUT 3/8-16
64	P4030164	CYLINDER
65	PSB29	CAP SCREW 3/8-16 X 2-1/4
66	PLW04	LOCK WASHER 3/8

REF	PART #	DESCRIPTION
67	P9743067	CYLINDER UPPER SUPPORT
68	P9743068	SHUT-OFF SWITCH TAB
69	PN08	HEX NUT 3/8-16
70	PB03	HEX BOLT 5/16-18 X 1
71	PW07	FLAT WASHER 5/16
72	P9743072	STAND COMPLETE ASSEMBLY
73	PB03	HEX BOLT 5/16-18 X 1
74	PLW01	LOCK WASHER 5/16
75	PN02	HEX NUT 5/16-18
76	PB24	HEX BOLT 3/8-16 X 1-1/4
77	PN08	HEX NUT 3/8-16
78	P9743078	FILTER
84	P9743084	WHEEL BRACKET
85	PW02	FLAT WASHER 3/8
86	PB65	HEX BOLT 3/8-16 x 5/8
87	P9743087	AXLE
88	P9743088	COTTER PIN 3 X 25
89	P9743089	WHEEL
90	PN02	HEX NUT 5/16-18
91	PW07	FLAT WASHER 5/16
92	PB11	HEX BOLT 5/16-18 X 1-1/2
93	P9743093	HANDLE
94	PN02	HEX NUT 5/16-18
95	PW07	FLAT WASHER 5/16
96	PB11	HEX BOLT 5/16-18 X 1-1/2
97	P0561082	COOLANT TANK
98	P9743098	PUMP
99	PW06	FLAT WASHER 1/4
100	PS12	PHLP HD SCR 1/4-20 X 5/8
101	P9743101	HOSE 5/8 X 200MM
102	P1758088	HOSE FITTING
190	P9743190	3-WAY MANIFOLD
191	P9743191	HOSE FITTING
192	P9743192	HOSE 8 X 1100MM
193	PSB32	CAP SCREW 1/4-20 X 1-1/4
194	P9743194	VALVE
195	P9743195	HOSE 12 X 1400MM
196	P9743196	HOSE 8 X 400MM
197	P9743197	HOSE BIB
198	P9743198	HOSE CLAMP
200	P9743200	BODY FRAME
201	PLW04	LOCK WASHER 3/8
202	PB24	HEX BOLT 3/8-16 X 1-1/4
203	P9743203	SUPPORT PLATE
204	PW06	FLAT WASHER 1/4
205	PSB04	CAP SCREW 1/4-20 X 1/2
206	PB07	HEX BOLT 5/16-18 X 3/4
210	P9743210	SHUT-OFF SWITCH TAB
211	PW06	FLAT WASHER 1/4
212	PSB01	CAP SCREW 1/4-20 X 5/8



Parts List

REF	PART #	DESCRIPTION
213	P9743213	HANDLE
214	PSB03	CAP SCREW 5/16-18 X 1
215	PLW04	LOCK WASHER 3/8
216	P9743216	BLADE TENSION BAR
217	PRP42M	ROLL PIN 3 X 20
218	P9743218	HANDLE BODY
219	P9743219	HANDLE
223	P9743223	BLADE TENSION SLIDING BLOCK
224	P9743224	SLIDING PLATE
225	P9743225	COMPRESSION SPRING
226	PSS18	SET SCREW 5/16-18 X 3/4
227	PLW01	LOCK WASHER 5/16
228	PB03	HEX BOLT 5/16-18 X 1
229	PW07	FLAT WASHER 5/16
230	PB11	HEX BOLT 5/16-18 X 1-1/2
235	P9743235	IDLER WHEEL ASSY
235-1	P9743235-1	IDLER WHEEL
235-2	PR26M	INT RETAINING RING 52MM
235-3	P9743235-3	BEARING 6205
235-4	P9743235-4	BUSHING
235-5	P9743235-5	BEARING COVER
235-6	PW07	FLAT WASHER 5/16
235-7	PB07	HEX BOLT 5/16-18 X 3/4
235-8	PS06	PHLP HD SCR 10-24 X 3/8
235-9	P9743235-9	BLADE WHEEL SHAFT
235-10	PRP77M	ROLL PIN 5 X 34
235-11	P9743235-11	SLIDING PLATE DRAW BLOCK
235-12	P9743235-12	SPACER
240	H2317	BLADE 104-1/2 X 1
261	P9743261	ELECTRICAL BOX
261-1	P9743261-1	MAGNETIC CONTACTOR LC1D256
261-2	P9743261-2	TRANSFORMER
261-3	P9743261-3	TERMINAL BLOCK
261-4	P9743261-4	LIMIT SWITCH
261-5	P9743261-5	FUSE 281-611
261-6	P9743261-6	FUSE 2A
261-8	P9743261-8	ELECTRICAL BOX
261-9	P9743261-9	ELECTRICAL BOX
261-10	P9743261-10	THERMAL OVERLOAD LRD 326
261-11	P9743261-11	STRAIN RELIEF
261-12	P9743261-12	STRAIN RELIEF
261-13	P9743261-13	NET PIN
261-14	P9743261-14	CLIP
261-15	P9743261-15	ARRESTOR
261-16	PHTEK12M	TAP SCREW M5 X 15
261-17	P9743261-17	POWER CABLE
261-18	PS04	PHLP HD SCR 1/4-20 X 1/2
263	P9473263	CONTROL BOX
263-1	P9473263-1	PUSH BUTTON SWITCH
263-2	P9473263-2	EMERGENCY STOP SWITCH

REF	PART #	DESCRIPTION
264	P9743264	DRIVE BLADE WHEEL
264-1	PSS03	SET SCREW 1/4-20 X 3/8
265	PR11M	EXT RETAINING RING 25MM
290	PW02	FLAT WASHER 3/8
291	PB24	HEX BOLT 3/8-16 X 1-1/4
292	P9743292	ADJUSTABLE BRACKET ASSY
292-1	P9743292-1	ADJUSTABLE BRACKET
292-2	P9743292-2	BLADE ADJUSTER
292-3	PW07	FLAT WASHER 5/16
292-4	PLW01	LOCK WASHER 5/16
292-5	PSB11	CAP SCREW 5/16-18 X 1-1/4
292-6	P9743292-6	DEFLECTOR PLATE
292-7	PS04	PHLP HD SCR 1/4-20 X 1/2
292-8	P608	BEARING 608
292-9	P9743292-9	BEARING PIN
292-10	P9743292-10	CARBIDE GUIDE
292-11	PSB01M	CAP SCREW M6-1 X 16
292-12	PLW04	LOCK WASHER 3/8
292-13	PN11	HEX NUT 3/8-24
293	P9743293	GUIDE PIVOT (RIGHT)ASSY
293-1	P9743293-1	GUIDE PIVOT (RIGHT)
293-2	P608	BEARING 608
293-3	PR40M	INT RETAINING RING 26MM
294	P9743294	GUIDE PIVOT (LEFT)ASSY
294-1	P9743294-1	GUIDE PIVOT (LEFT)
294-2	P608	BEARING 608
294-3	PR40M	INT RETAINING RING 26MM
300	P9743300	MOTOR 1-1/2HP 110V 60HZ 1PH
300-1	PK12M	KEY 5 X 5 X 30
300-2	PB32M	HEX BOLT M10-1.5 X 25
300-3	PLW06M	LOCK WASHER 10MM
300-4	P9743300-4	STRAIN RELIEF
300-5	P9743300-5	WIRE NUT
300-6	P9743300-6	FAN COVER
300-7	P9743300-7	FAN
300-8	P9743300-8	JUNCTION BOX
300-9	PC150A	CAPACITOR 150MFD 250 VAC
300-10	P9743300-10	CIRCUIT BREAKER
308	P9743308	BRUSH ASSY
308-1	P9743308-1	BRUSH SUPPORT
308-2	P9743308-2	BRUSH
308-3	PB29M	HEX BOLT M6-1 X 30
308-4	PW03M	FLAT WASHER 6MM
308-5	PN01M	HEX NUT M6-1
310	PS06	PHLP HD SCR 10-24 X 3/8
315	P9743315	GUIDE PIVOT (RIGHT)ASSY
315-1	P9743315-1	GUIDE PIVOT (RIGHT)
315-2	P608	BEARING 608
315-3	PR40M	INT RETAINING RING 26MM
316	P9743316	GUIDE PIVOT (LEFT)ASSY



Parts List

REF	PART #	DESCRIPTION
316-1	P9743316-1	GUIDE PIVOT (LEFT)
316-2	P608	BEARING 608
316-3	PR40M	INT RETAINING RING 26MM
317	P9743317	ADJ BRACKET (FRONT) ASSY
317-1	P9743317-1	ADJUSTABLE BRACKET (FRONT)
317-2	P608	BEARING 608
317-3	P9743317-3	BLADE ADJUSTER (REAR)
317-4	P9743317-4	BEARING PIN
317-5	PW07	FLAT WASHER 5/16
317-6	PLW01	LOCK WASHER 5/16
317-7	PSB11	CAP SCREW 5/16-18 X 1-1/4
317-8	P9743317-8	CARBIDE GUIDE
317-9	PB83M	HEX BOLT M6-1 X 16
317-10	PLW04	LOCK WASHER 3/8
317-11	PN11	HEX NUT 3/8-24
318	PLW04	LOCK WASHER 3/8
319	P9743319	BLADE ADJUSTER KNOB
320	P9743320	BLADE COVER (FRONT)
321	PS23	PHLP HD SCR 8-32 x 1/4
327	P9743327	BLADE BACK COVER
329	PW06	FLAT WASHER 1/4
330	PS04	PHLP HD SCR 1/4-20 X 1/2
331	PW06	FLAT WASHER 1/4
332	P9743332	COVER KNOB 1/4-20 X 1/2
337	PN06	HEX NUT 1/2-12
338	PW01	FLAT WASHER 1/2
345	P9743340	BRACKET
348	PS17M	PHLP HD SCR M6-1 X 12
351	PSB02	CAP SCREW 10-24 X 3/8
364	P9743364	CRANK HANDLE
365	P9743365	CAST IRON CRANK
366	PSS07	SET SCREW 1/4-20 X 1/2
367	P9743367	PRESSURE CLAMP
368	PW06M	FLAT WASHER 12MM
369	PB24	HEX BOLT 3/8-16 X 1-1/4
370	PLW04	LOCK WASHER 3/8
372	P9743372	PRESSURE SHAFT
373	P9743373	SHAFT
374	P9743374	SHAFT KNOB
375	P9743375	ACME SCREW BEARING
376	PW06M	FLAT WASHER 12MM
377	P9743377	COMPRESSION SPRING
500	P9743500	POWER CORD
501	P9743501	PUMP CORD
502	P9743502	LIMIT SWITCH CORD
503	P9743503	MOTOR CORD
606	P9743606	READ MANUAL LABEL
607	P9743607	SAFETY GLASSES LABEL
608	P9743608	UNPLUG LABEL
609	G8588	GRIZZLY LOGO PLATE

REF	PART #	DESCRIPTION
610	P9743610	MACHINE ID LABEL
610-1	P9743610-1	MACHINE WARNINGS LABEL
611	P9743611	ELECTRICITY LABEL
750	P9743750	SAFETY SWITCH ASSY
750-1	PS06	PHLP HD SCR 10-24 X 3/8
750-2	P9743750-2	SWITCH BRACKET
750-3	P9743750-3	SAFETY SWITCH
750-4	PS06	PHLP HD SCR 10-24 X 3/8
751	P9743751	PUMP TOGGLE SWITCH ASSY
751-1	P9743751-1	TOGGLE SWITCH COVER
751-2	P9743751-2	SWITCH COVER
751-3	PS06	PHLP HD SCR 10-24 X 3/8
751-4	P9743751-4	COVER
751-5	P9743751-5	TOGGLE SWITCH
751-6	P9743751-6	ELECTRICAL BOX
751-7	PS17M	PHLP HD SCR M4-.7 X 6
751-8	P9743751-8	STRAIN RELIEF
800-1	P9743800-1	GEAR BOX
800-2	P9743800-2	GEAR BOX COVER
800-3	P9743800-3	SPEED CHANGE GEAR SHAFT
800-4	P9743800-4	GEAR
800-5	P9743800-5	COMPRESSION SPRING
800-6	P9743800-6	STEEL BALL
800-7	P9743800-7	SPEED INDICATOR DIAL
800-8	PSB94M	CAP SCREW M5-.8 X 27
800-9	P9743800-9	WORM SHAFT
800-10	P9743800-10	SPEED CHANGE ROD
800-11	P9743800-11	SPEED CHANGE KEY
800-12	P9743800-12	TORSION SPRING
800-13	PRP44M	ROLL PIN 3 X 10
800-14	P9743800-14	GEAR
800-15	P9743800-15	GEAR
800-16	P9743800-16	GEAR
800-17	P9743800-17	GEAR SPACER
800-18	P9743800-18	BUSHING BRACKET
800-19	PR12M	EXT RETAINING RING 35MM
800-20	PSS02M	SET SCREW M6-1 X 6
800-21	P6003	BEARING 6003
800-22	P9743800-22	COVER
800-23	P9743800-23	GEAR SHAFT
800-24	P9743800-24	GEAR
800-25	P9743800-25	GEAR
800-26	P9743800-26	GEAR
800-27	PK15M	KEY 5 X 5 X 32
800-28	PR18M	EXT RETAINING RING 17MM
800-29	P6003	BEARING 6003
800-30	P6007	BEARING 6007
800-31	PR38M	INT RETAINING RING 62MM
800-33	P9743800-33	OIL SEAL
800-37	P9743800-37	DRIVE GEAR SHAFT



Parts List

REF	PART #	DESCRIPTION
800-38	P9743800-38	WORM GEAR
800-39	PR11M	EXT RETAINING RING 25MM
800-40	PK07M	KEY 6 X 6 X 20
800-41	P9743800-41	BEARING 60205
800-42	P9743800-42	BEARING SPACER
800-43	P9743800-43	COVER
800-44	P9743800-44	O-RING
800-45	PSBS06M	BUTTON HD CAP SCR M5-.8 X 12
800-46	P9743800-46	PLUG
800-47	PSB02M	CAP SCREW M6-1 X 20

REF	PART #	DESCRIPTION
800-48	P9743800-48	VENT PLUG
800-49	P9743800-49	SCALE
800-50	P9743800-50	RIVET
800-51	P9743800-51	BEARING COVER
800-52	PS09M	PHLP HD SCR M5-.8 X 10
800-53	P9743800-53	GASKET
800-54	P9743800-54	PLUG
800-55	P9743800-55	SIGHT GLASS
800-56	P9743800-56	O-RING
800-57	PR66M	INT RETAINING RING 25MM

WARNING

The safety labels on this machine warn and indicate how to protect the operator or bystander from machine hazards. The machine owner **MUST** maintain the original label location and readability. If a label is removed or becomes unreadable, **REPLACE** the label before using the machine. For new labels, contact Grizzly Industrial Inc. at (570) 546-9663 or techsupport@grizzly.com.

