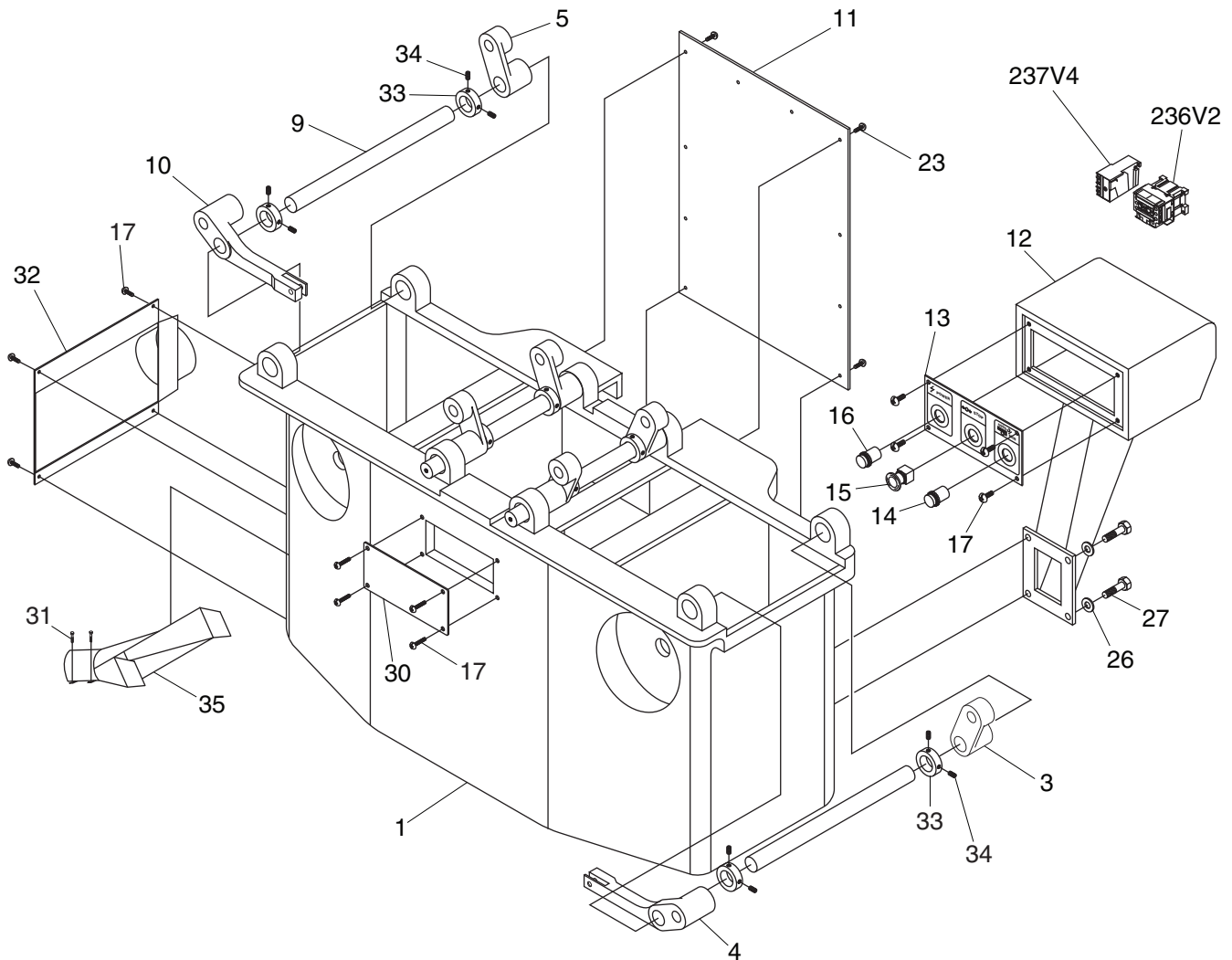


# SECTION 9: PARTS

## G9860/G9860ZX Cabinet Breakdown & Parts List

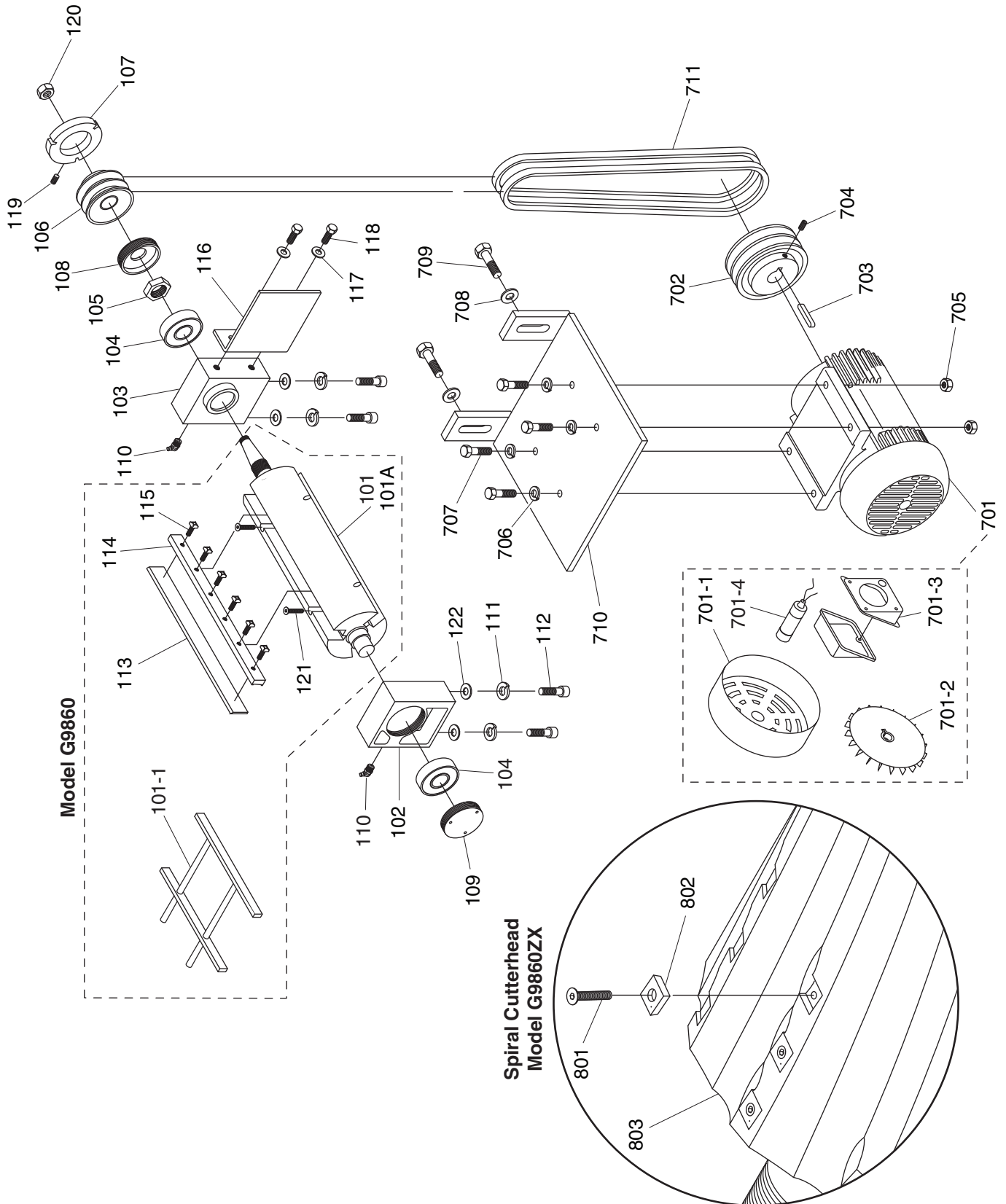


REF	PART #	DESCRIPTION
1	P9860001	BASE
3	P9860003	INFEED TABLE SUPPORT
4	P9860004	INFEED TABLE LIFTING ARM
5	P9860005	OUTFEED TABLE SUPPORT
9	P9860009	TABLE HEIGHT SPINDLE
10	P9860010	OUTFEED TABLE LIFTING ARM
11	P9860011	MOTOR ACCESS COVER
12	P9860012	CONTROL PANEL PEDESTAL
13	P9860013	CONTROL PANEL
14	P9860014	ON BUTTON
15	P9860015	STOP BUTTON
16	P9860016	POWER LAMP

REF	PART #	DESCRIPTION
17	PS68M	PHLP HD SCR M6-1 X 10
23	PS68M	PHLP HD SCR M6-1 X 10
26	PW04M	FLAT WASHER 10MM
27	PSB64M	CAP SCREW M10-1.5 X 25
30	P9860031	FRONT CABINET ACCESS COVER
31	PB02M	HEX BOLT M6-1 X 12
32	P9860032	DUST PORT 4"
33	P9860033	LOCK COLLAR
34	PSS20M	SET SCREW M8-1.25 X 8
35	P9860035	DUST CHUTE
236V2	P9860236V2	CONTACTOR TECO CU-18 220V V2.05.08
237V4	P9860237V4	OL RELAY TE LR9D25M7 5-25A V4.09.11



# G9860/G9860ZX Cutterhead & Motor Breakdown



# G9860 Cutterhead & Motor Parts List

REF	PART #	DESCRIPTION
101-1	H2404	JOINTER PAL CARBIDE JIG
101	P9860101	CUTTERHEAD 3 KNIFE V1.08.02
101A	P9860101A	CUTTERHEAD 4 KNIFE V2.03.05
102	P9860102	FRONT BEARING HOUSING
103	P9860103	REAR BEARING HOUSING
104	P9860104	BALL BEARING 6305VV
105	P9860105	SPANNER NUT M21-1.5
106	P9860106	CUTTERHEAD PULLEY
107	P9860107	CUTTERHEAD STOP PLATE
108	P9860108	REAR BEARING CAP
109	P9860109	FRONT BEARING CAP
110	P9860110	GREASE FITTING
111	PLW06M	LOCK WASHER 10MM
112	PSB70M	CAP SCREW M10-1.5 X 45
113	P9860113	KNIFE 1-3/16" X 12" X 1/8"
114	P9860114	KNIFE GIB 12"
115	P9860121	GIB BOLT M8-1.25 X 10
116	P9860116	BRACKET
117	PW04M	FLAT WASHER 10MM
118	PB70M	HEX BOLT M10-1.5 X 16

REF	PART #	DESCRIPTION
119	PSS09M	SET SCREW M8-1.25 X 20
120	P9860118	SPECIAL HEX NUT M17-1.5
121	P9860121	JACK SCREW M6-1 X 16
122	PW04M	FLAT WASHER 10MM
701	P9860701	MOTOR 3HP 220V 1PH
701-1	P9860701-1	MOTOR FAN COVER
701-2	P9860701-2	MOTOR FAN
701-3	P9860701-3	MOTOR WIRING JUNCTION BOX
701-4	P9860701-4	S CAP. 400M 250V 1-3/4 X 3-1/2
702	P9860702	MOTOR PULLEY
703	PK109M	KEY 7 X 7 X 35
704	PSS08	SET SCREW 5/16-18 X 1/2
705	PN02M	HEX NUT M10-1.5
706	PLW06M	LOCK WASHER 10MM
707	PB31M	HEX BOLT M10-1.5 X 40
708	PW01	FLAT WASHER 1/2
709	PB35M	HEX BOLT M12-1.75 X 40
710	P9860710	MOTOR MOUNT PLATE
711V2	PVA47	V-BELT A47

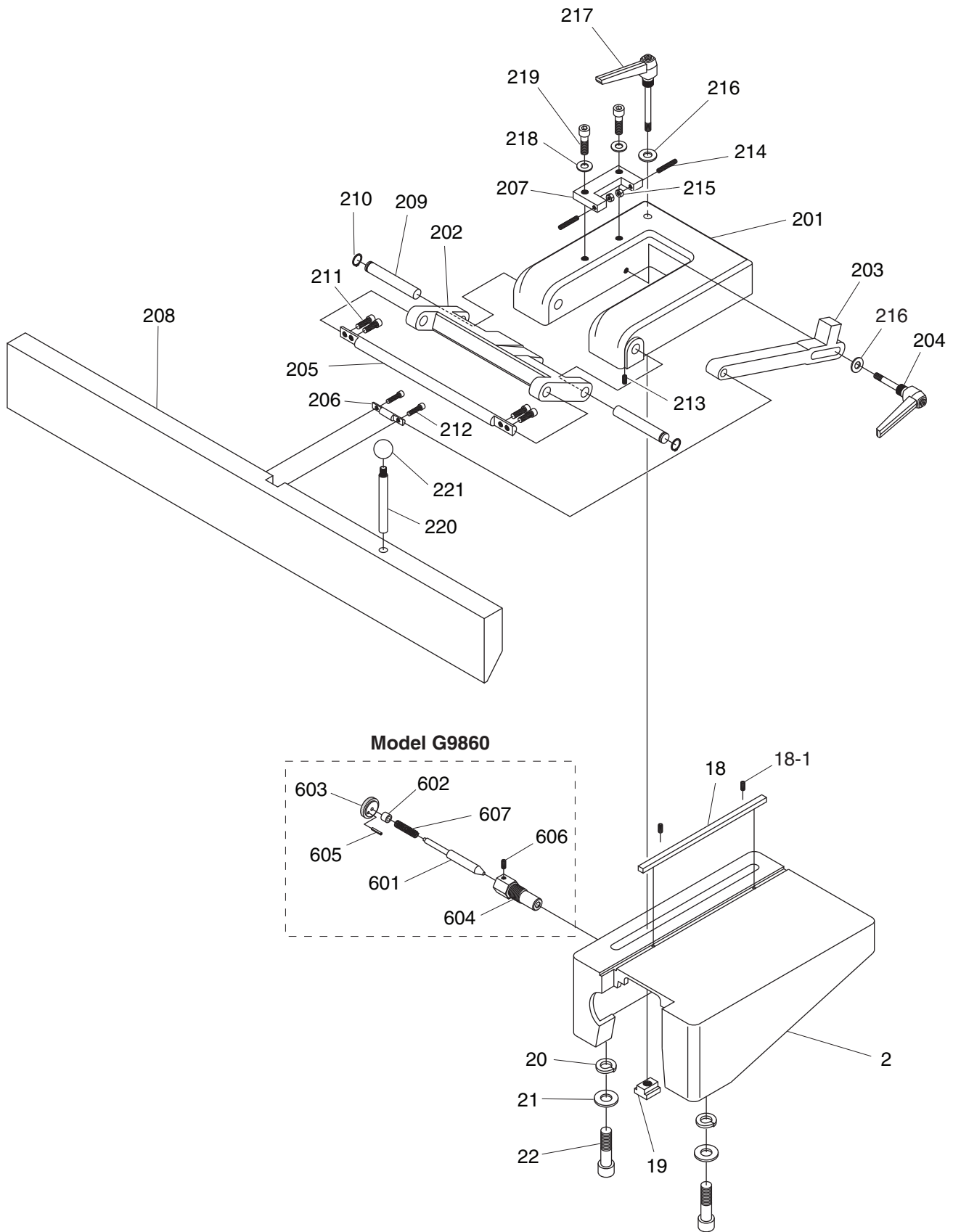
# G9860ZX Cutterhead & Motor Parts List

REF	PART #	DESCRIPTION
102	P9860102	FRONT BEARING HOUSING
103	P9860103	REAR BEARING HOUSING
104	P9860104	BALL BEARING 6305VV
105	P9860105	SPANNER NUT M21-1.5
106	P9860106	CUTTERHEAD PULLEY
107	P9860107	CUTTERHEAD STOP PLATE
108	P9860108	REAR BEARING CAP
109	P9860109	FRONT BEARING CAP
110	P9860110	GREASE FITTING
111	PLW06M	LOCK WASHER 10MM
112	PSB70M	CAP SCREW M10-1.5 X 45
116	P9860116	BRACKET
117	PW04M	FLAT WASHER 10MM
118	PB70M	HEX BOLT M10-1.5 X 16
119	PSS09M	SET SCREW M8-1.25 X 20
120	P9860118	SPECIAL HEX NUT M17-1.5
122	PW04M	FLAT WASHER 10MM
701	P9860701	MOTOR 3HP 220V 1PH

REF	PART #	DESCRIPTION
701-1	P9860701-1	MOTOR FAN COVER
701-2	P9860701-2	MOTOR FAN
701-3	P9860701-3	MOTOR WIRING JUNCTION BOX
701-4	P9860ZX701-4	S CAP. 400M 250V 1-3/4 X 3-1/2
702	P9860702	MOTOR PULLEY
703	PK109M	KEY 7 X 7 X 35
704	PSS08	SET SCREW 5/16-18 X 1/2
705	PN02M	HEX NUT M10-1.5
706	PLW06M	LOCK WASHER 10MM
707	PB31M	HEX BOLT M10-1.5 X 40
708	PW01	FLAT WASHER 1/2
709	PB35M	HEX BOLT M12-1.75 X 40
710	P9860710	MOTOR MOUNT PLATE
711V2	PVA47	V-BELT A47
801	PFH35M	FLAT HD TORX T20 M6-1 X 15
802	P9860ZX802	INDEXABLE INSERT 14 X 14 X 2MM
803	P9860ZX803	SPIRAL CUTTERHEAD 12"



# G9860/G9860ZX Fence Breakdown



# G9860 Fence Parts List

REF	PART #	DESCRIPTION
2	P9860002	FENCE SEAT
18	P9860018	KEY 10 X 8 X 300
18-1	PRP49M	ROLL PIN 5 X 25
19	P9860019	FENCE LOCK T-NUT
20	PLW10M	LOCK WASHER 16MM
21	PW08M	FLAT WASHER 16MM
22	PSB77M	CAP SCREW M12-1.75 X 30
201	P9860201	FENCE BASE
202	P9860202	PIVOT BRACKET
203	P9860203	CONNECTOR BRACKET
204	P9860204	TILT LOCK LEVER ASSY
205	P9860205	LOWER FENCE ROD
206	P9860206	CLAMP ROD
207	P9860207	STOP BRACKET
208	P9860208	FENCE
209	P9860209	UPPER FENCE ROD
210	PR06M	EXT RETAINING RING 16MM
211	PSB15M	CAP SCREW M5-.8 X 20

REF	PART #	DESCRIPTION
212	PSB16M	CAP SCREW M4-.7 X 16
213	PSS04M	SET SCREW M6-1 X 12
214	PSS29M	SET SCREW M6-1 X 35
215	PN01M	HEX NUT M6-1
216	PW01	FLAT WASHER 1/2
217	P9860217	FENCE LOCK LEVER ASSY
218	PW04M	FLAT WASHER 10MM
219	PSB64M	CAP SCREW M10-1.5 X 25
220	P9860220	FENCE ADJUSTMENT HANDLE
221	P9860221	KNOB 3/8"-16
601	P9860601	ROD
602	P9860602	COLLAR
603	P9860603	KNURLED KNOB
604	P9860604	BRAKE CASING
605	PRP64M	ROLL PIN 3 X 18
606	PSS02M	SET SCREW M6-1 X 6
607	P9860607	COMPRESSION SPRING

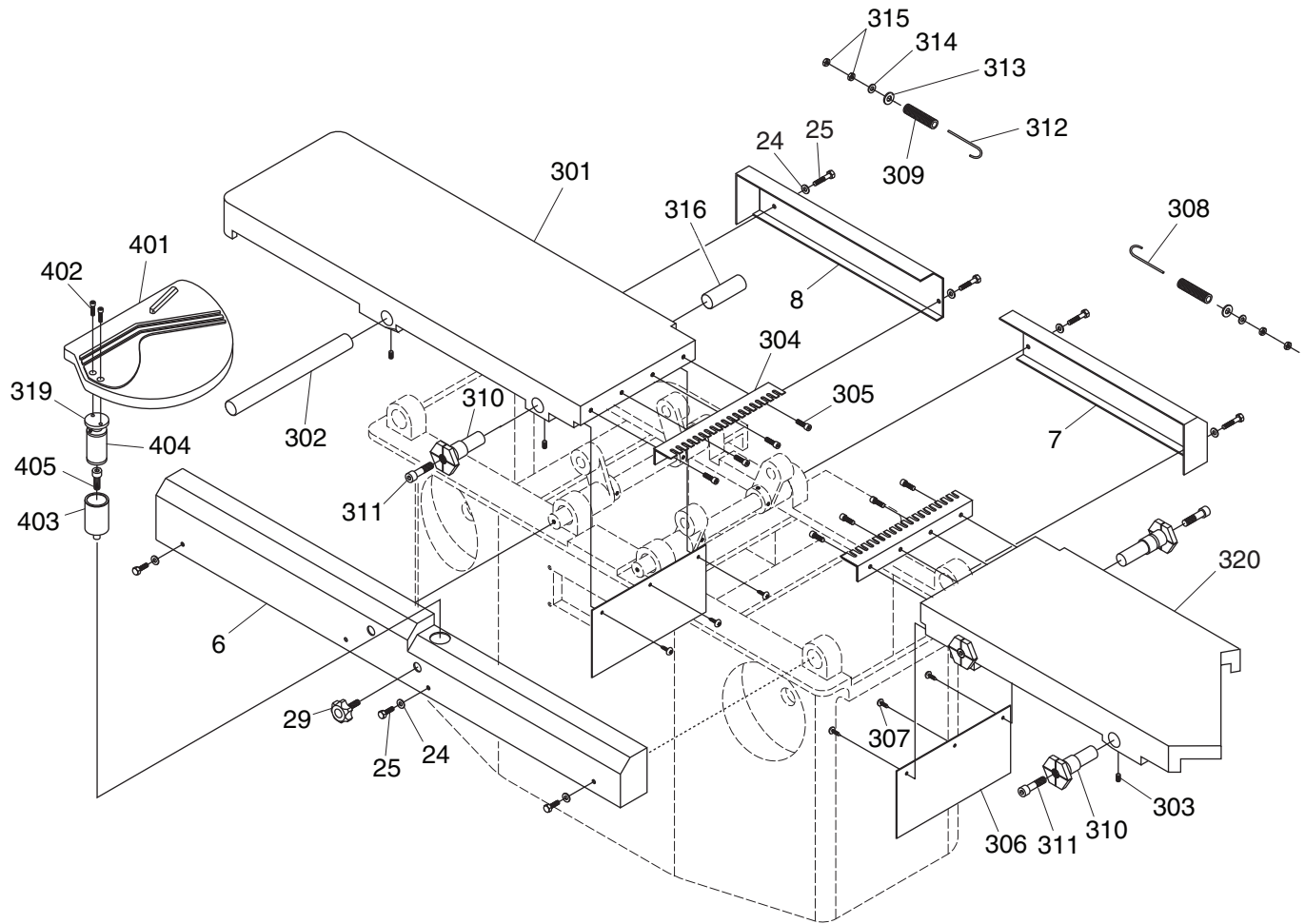
# G9860ZX Fence Parts List

REF	PART #	DESCRIPTION
2	P9860002	FENCE SEAT
18	P9860018	KEY 10 X 8 X 300
18-1	PRP49M	ROLL PIN 5 X 25
19	P9860019	FENCE LOCK T-NUT
20	PLW10M	LOCK WASHER 16MM
21	PW08M	FLAT WASHER 16MM
22	PSB77M	CAP SCREW M12-1.75 X 30
201	P9860201	FENCE BASE
202	P9860202	PIVOT BRACKET
203	P9860203	CONNECTOR BRACKET
204	P9860204	TILT LOCK LEVER ASSY
205	P9860205	LOWER FENCE ROD
206	P9860206	CLAMP ROD
207	P9860207	STOP BRACKET

REF	PART #	DESCRIPTION
208	P9860208	FENCE
209	P9860209	UPPER FENCE ROD
210	PR06M	EXT RETAINING RING 16MM
211	PSB15M	CAP SCREW M5-.8 X 20
212	PSB16M	CAP SCREW M4-.7 X 16
213	PSS04M	SET SCREW M6-1 X 12
214	PSS29M	SET SCREW M6-1 X 35
215	PN01M	HEX NUT M6-1
216	PW01	FLAT WASHER 1/2
217	P9860217	FENCE LOCK LEVER ASSY
218	PW04M	FLAT WASHER 10MM
219	PSB64M	CAP SCREW M10-1.5 X 25
220	P9860220	FENCE ADJUSTMENT HANDLE
221	P9860221	KNOB 3/8"-16



# G9860/G9860ZX Table Breakdown & Parts List

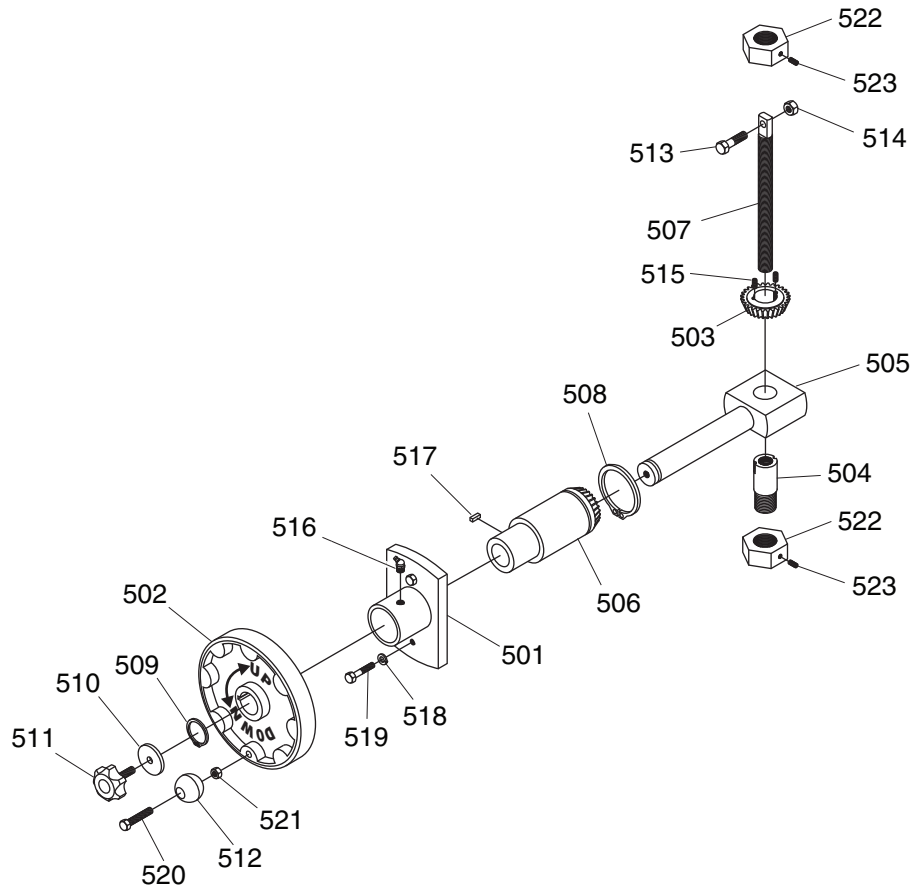


REF	PART #	DESCRIPTION
6	P9860006	FRONT TABLE COVER
7	P9860007	INFEED TABLE REAR COVER
8	P9860008	OUTFEED TABLE REAR COVER
24	PW01M	FLAT WASHER 8MM
25	PB03M	HEX BOLT M8-1.25 X 16
29	P9860029	KNOB M10-1.5 X 30
301	P9860301	OUTFEED TABLE
302	P9860302	TABLE PIVOT ROD LONG
303	PSS16M	SET SCREW M8-1.25 X 10
304	P9860304	NOISE DAMPER
305	PSB26M	CAP SCREW M6-1 X 12
306	P9860306	COVER
307	PS14M	PHLP HD SCR M6-1 X 12
308	P9860308	J-ROD LONG
309	P9860309	TENSION SPRING

REF	PART #	DESCRIPTION
310	P9860310	BED PIVOT PIN
311	PSB70M	CAP SCREW M10-1.5 X 45
312	P9860312	J-ROD SHORT
313	PW01	FLAT WASHER 1/2
314	PW02	FLAT WASHER 3/8
315	PN09M	HEX NUT M12-1.75
316	P9860316	TABLE PIVOT ROD SHORT
319	P9860319	SPRING SHAFT COVER
320	P9860320	INFEED TABLE
401	P9860401	CUTTERHEAD GUARD
402	PSB31M	CAP SCREW M8-1.25 X 25
403	P9860403	SPRING SHAFT HOUSING
404	P9860404	SPRING SHAFT
405	PSB129M	CAP SCREW M12-1.75 X 20



# G9860/G9860ZX Handwheel Breakdown & Parts List

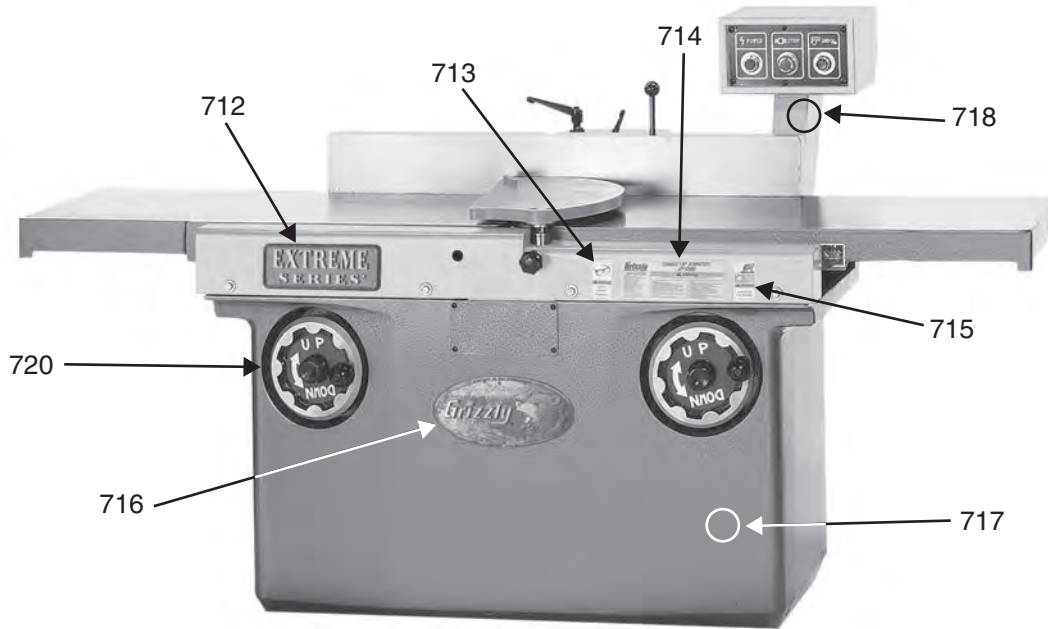


REF	PART #	DESCRIPTION
501	P9860501	LIFT ROD BRACKET
502	P9860502	HANDWHEEL
503	P9860503	BEVEL GEAR
504	P9860504	SLEEVE
505	P9860505	LIFT ROD
506	P9860506	GEAR SHAFT
507	P9860507	LIFT CONNECTOR
508	P9860508	SPECIAL EXT RETAINER RING
509	PR10M	EXT RETAINING RING 22MM
510	P9860510	SPECIAL FLAT WASHER D12 X 8MM
511	P9860511	LOCK KNOB M10-1.5 X 20MM
512	P9860512	HANDWHEEL KNOB 3/8"-16

REF	PART #	DESCRIPTION
513	PSB47M	CAP SCREW M10-1.5 X 40
514	PN02M	HEX NUT M10-1.5
515	PSS23M	SET SCREW M4-.7 X 10
516	P9860516	GREASE FITTING
517	PK20M	KEY 5 X 5 X 15
518	PLW04M	LOCK WASHER 8MM
519	PB07M	HEX BOLT M8-1.25 X 25
520	PB58	HEX BOLT 3/8-16 X 2
521	PN08	HEX NUT 3/8"-16
522	P9860522	SPECIAL NUT M25-1.5
523	PSS02M	SET SCREW M6-1 X 6



# Label Placement



REF	PART #	DESCRIPTION
712	H7942	EXTREME SERIES NAMEPLATE
713	PLABEL-11A	EYE HAZARD LABEL
714	P9860714	MACHINE ID LABEL (G9860)
714	P9860ZX714	MACHINE ID LABEL (G9860ZX)
714	P9953714	MACHINE ID LABEL (G9953)
714	P9953ZX714	MACHINE ID LABEL (G9953ZX)
714	P9953ZXF714	MACHINE ID LABEL (G9953ZXF)
715	P9860715	PUSH BLOCK WARNING
716	G8589	GRIZZLY NAMEPLATE-LARGE

REF	PART #	DESCRIPTION
717	PPAINT-1	GRIZZLY GREEN TOUCH-UP PAINT
718	PPAINT-11	GRIZZLY PUTTY TOUCH-UP PAINT
719*	P9860719	MODEL NO. LABEL (G9860)
719*	P9860ZX719	MODEL NO. LABEL (G9860ZX)
719*	P9953719	MODEL NO. LABEL (G9953)
719*	P9953ZX719	MODEL NO. LABEL (G9953ZX)
719*	P9953ZXF719	MODEL NO. LABEL (G9953ZXF)
720	P9860720	HANDWHEEL UP/DOWN LABEL

\* Not Shown

## WARNING

Safety labels warn about machine hazards and ways to prevent injury. The owner of this machine **MUST** maintain the original location and readability of the labels on the machine. If any label is removed or becomes unreadable, **REPLACE** that label before using the machine again. Contact Grizzly at (800) 523-4777 or [www.grizzly.com](http://www.grizzly.com) to order new labels.

