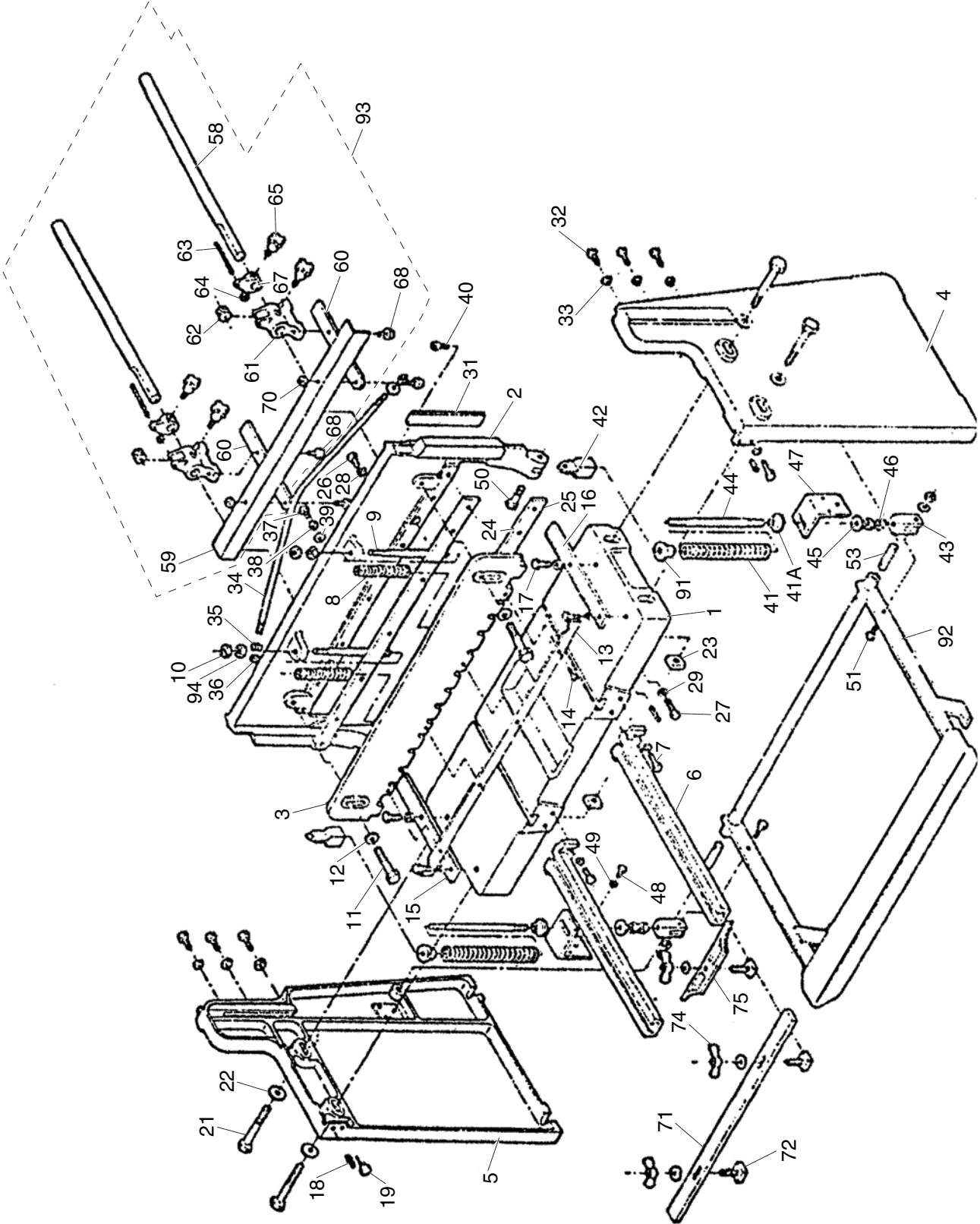


SECTION 7: PARTS

Parts Breakdown



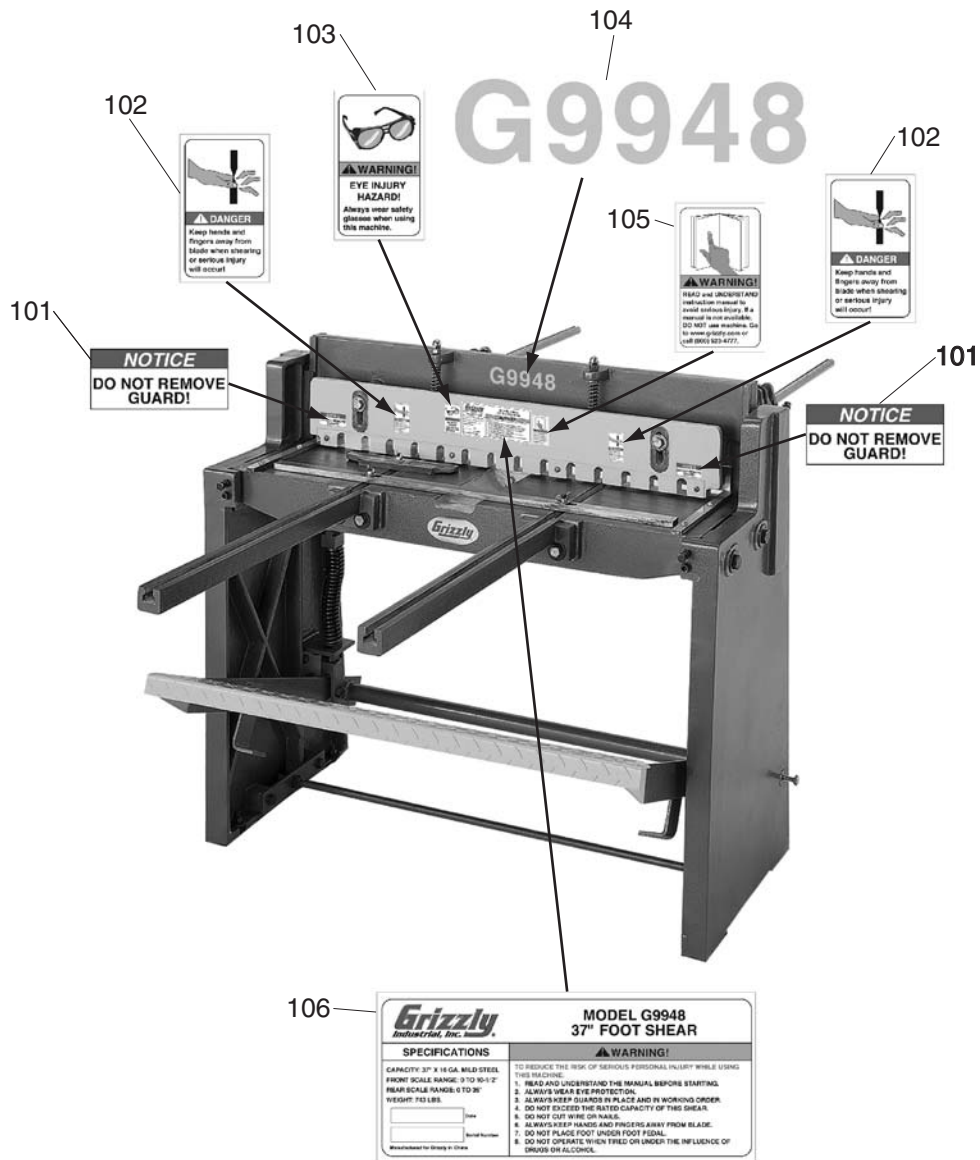
Parts List

REF	PART #	DESCRIPTION
1	P9948001	TABLE
2	P9948002	CUTTER BAR
3	P9948003	HOLDDOWN
4	P9948004	RIGHT SIDE PANEL
5	P9948005	LEFT SIDE PANEL
6	P9948006	FRONT EXTENSION ARM
7	PB24M	HEX BOLT M12-1.75 x 45
8	P9948008	HOLDDOWN SPRING
9	P9948009	HOLDDOWN SHAFT
10	PN09M	HEX NUT M12-1.75
11	P9948011	SPECIAL BOLT
12	P9948012	SPECIAL WASHER 12MM
13	P9948013	FINGER GUARD
14	PSB58M	CAP SCREW M8-1.25 x 12
15	P9948015	LEFT TABLE SCALE
16	P9948016	RIGHT TABLE SCALE
17	PB09M	HEX BOLT M8-1.25 X 20
18	PSS39M	SET SCREW M10-1.5 X 50
19	PSB47M	CAP SCREW M10-1.5 X 40
21	P9948021	SPECIAL BOLT M16-2 X 100
22	PW08M	FLAT WASHER 16MM
23	P9948023	SPECIAL NUT M16-2
24	P9948024	TOP BLADE
25	P9948025	BOTTOM BLADE
26	PSB47M	CAP SCREW M10-1.5 X 40
27	PSB90M	CAP SCREW M10-1.5 X 55
28	PW04M	FLAT WASHER 10MM
29	PW04M	FLAT WASHER 10MM
31	P9948031	GIB
32	PSB143M	CAP SCREW M10-1.5 X 50
33	PN02M	HEX NUT M10-1.5
34	P9948034	STRAIGHTENER ROD
35	PW08M	FLAT WASHER 16MM
36	PN05M	HEX NUT M16-1.5
37	P9948037	ADJ SCREW STRAIGHTENER ROD

REF	PART #	DESCRIPTION
38	PN05M	HEX NUT M16-1.5
39	PW08M	FLAT WASHER 16MM
40	PSS10M	SET SCREW M10-1.5 X 20
41	P9948041	COMPRESSION SPRING
41A	P9948041A	SPRING CAP
42	P9948042	SWIVEL TOP
43	P9948043	SWIVEL BOTTOM
44	P9948044	SPRING STUD
45	PW08M	FLAT WASHER 16MM
46	PN13M	HEX NUT M16-2
47	P9948047	SPRING MOUNTING BRACKET
48	PSB64M	CAP SCREW M10-1.5 X 25
49	PW04M	FLAT WASHER 10MM
50	P9948050	SPECIAL BOLT M12 X 70
51	P9948051	SPECIAL BOLT M12 X 50
53	P9948053	FOOT PEDAL SHAFT
58	P9948058	REAR EXTENSION ARM
59	P9948059	REAR STOP
60	P9948060	REAR STOP BRACKET
61	P9948061	REAR STOP BLOCK
62	P9948062	ADJUSTER DIAL
63	P9948063	ADJUSTER SHAFT
64	PN08M	HEX NUT M10-1.25
65	P9948065	LOCK KNOB M8-1.25 X 25
67	P9948067	ADJUSTER BLOCK
68	P9948068	KNURLED SCREW M10-1.5 X 12
70	PN02M	HEX NUT M10-1.5
71	P9948071	FRONT STOP
72	P9948072	T BOLT M10-1.5 X 45
74	PWN04M	WING NUT M10-1.5
75	P9948075	BEVEL GAUGE
91	P9948091	TOP SPRING CAP
92	P9948092	PEDAL FRAME
93	P9948093	BACK GAUGE ASSEMBLY
94	PW06M	FLAT WASHER 12MM



Labels Breakdown & List



REF	PART #	DESCRIPTION
101	P9948101	GUARD REMOVAL LABEL
102	P9948102	SHEARING HAZARD LABEL
103	PLABEL-11B	SAFETY GLASSES LABEL

REF	PART #	DESCRIPTION
104	P9948104	MODEL NUMBER LABEL
105	PLABEL-12C	READ MANUAL LABEL
106	P9948106	MACHINE ID LABEL

⚠️ WARNING

Safety labels warn about machine hazards and ways to prevent injury. The owner of this machine **MUST** maintain the original location and readability of the labels on the machine. If any label is removed or becomes unreadable, **REPLACE** that label before using the machine again. Contact Grizzly at (800) 523-4777 or www.grizzly.com to order new labels.

