

# *Grizzly* *Industrial, Inc.*®

## OSCILLATING BELT EDGE SANDER

MODEL G9984/G9985

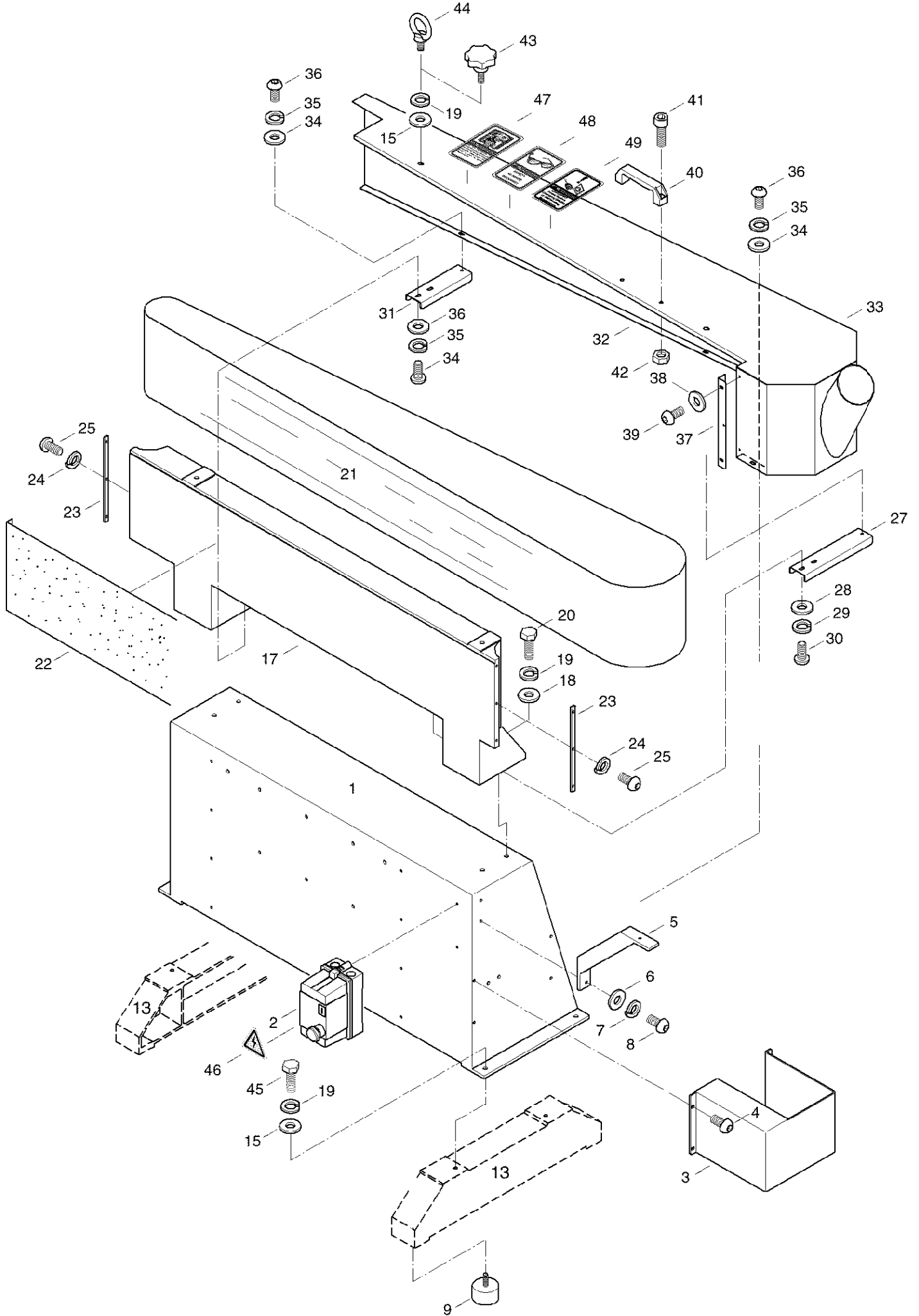
## PARTS LIST



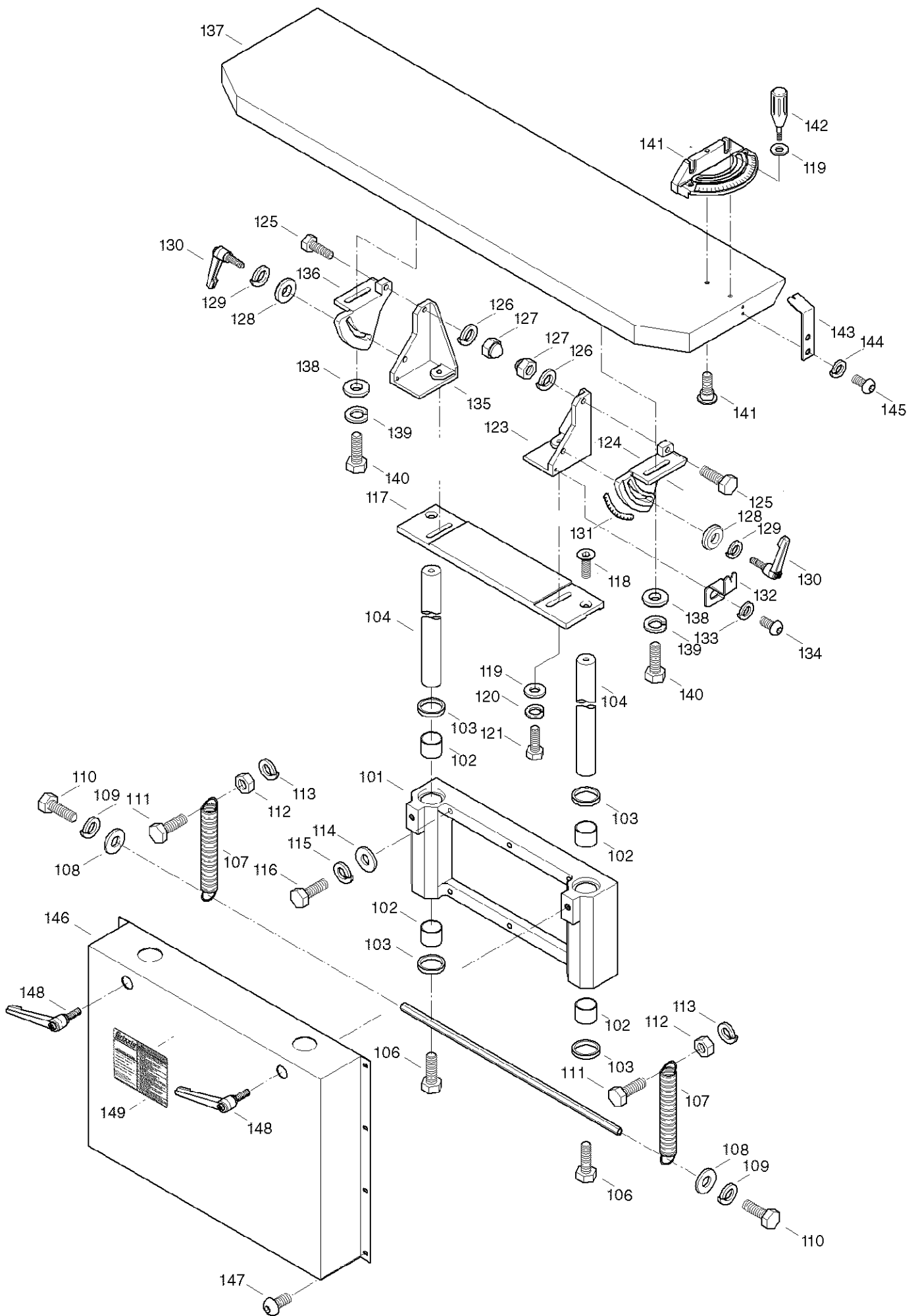
COPYRIGHT © APRIL 2002 BY GRIZZLY INDUSTRIAL, INC.  
**WARNING: NO PORTION OF THIS MANUAL MAY BE REPRODUCED IN ANY SHAPE  
OR FORM WITHOUT THE WRITTEN APPROVAL OF GRIZZLY INDUSTRIAL, INC.**  
PRINTED IN TAIWAN.

#### **PARTS LIST DISCLAIMER**

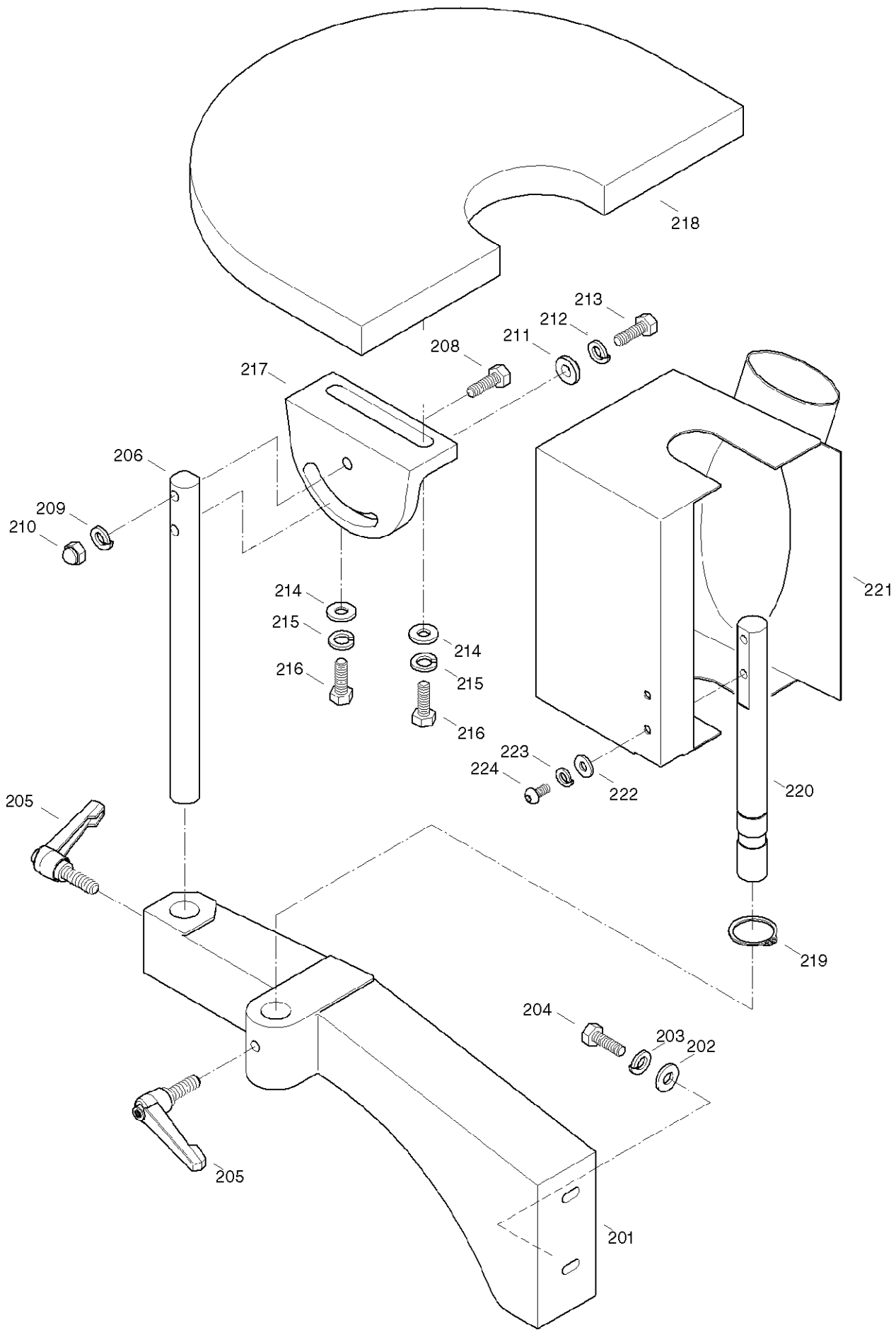
THIS PARTS LIST AND DRAWINGS REPRESENT THE CONFIGURATION OF THE MACHINE AS IT IS CURRENTLY BEING SHIPPED. THE MACHINE CONFIGURATION CAN CHANGE AS PRODUCT IMPROVEMENTS ARE INCORPORATED. IF YOU OWN AN EARLIER VERSION OF THE MACHINE, THIS PARTS LIST MAY NOT DEPICT YOUR MACHINE EXACTLY. CONTACT CUSTOMER SERVICE IF YOU HAVE ANY QUESTIONS ABOUT PART DIFFERENCES. PREVIOUS PARTS LIST VERSIONS ARE NOT AVAILABLE ONLINE.



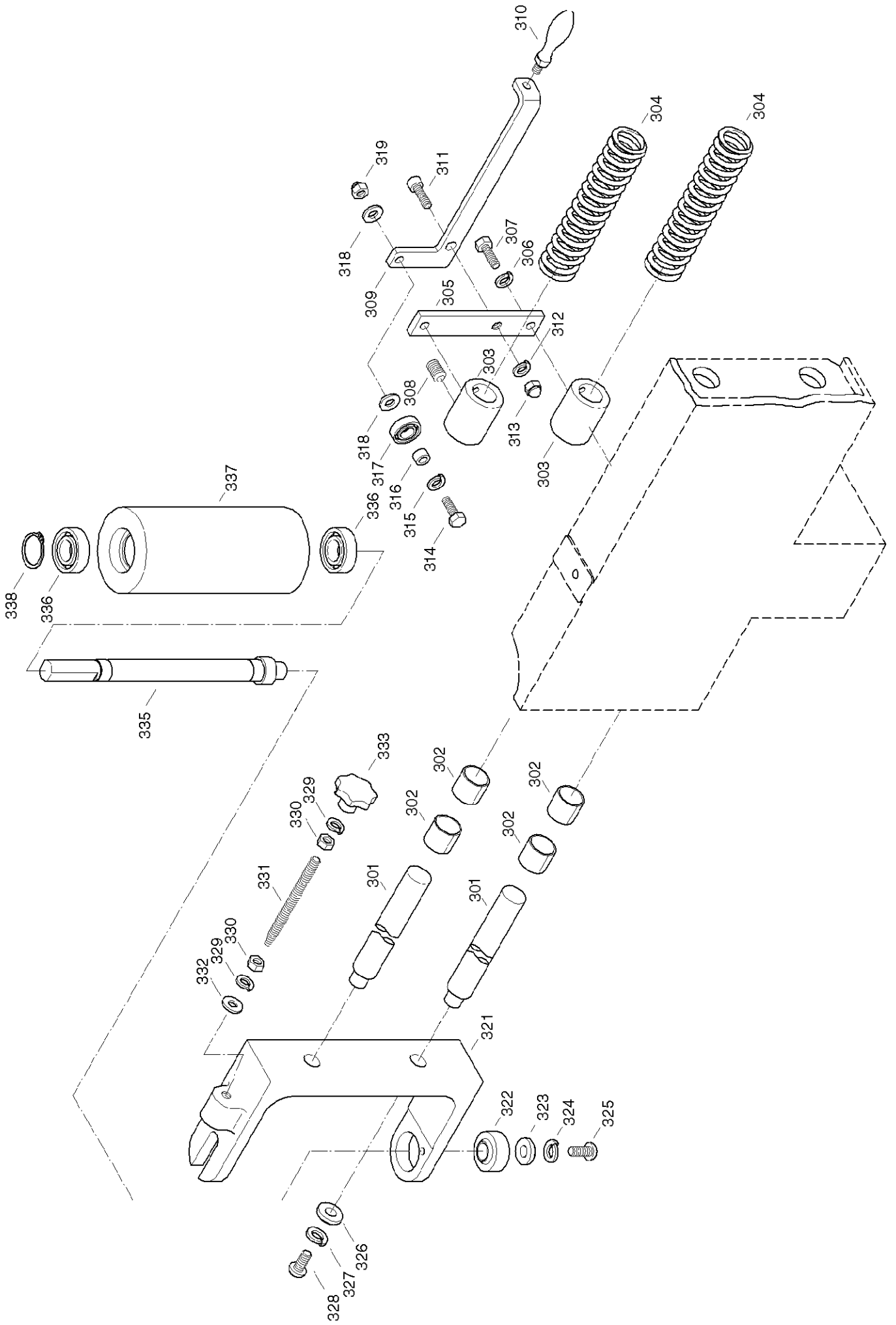
REF	PART #	DESCRIPTION
01	P9984001	MACHINE BASE
02	G4573	MAGNETIC SWITCH-G9984
02	G4673	MAGNETIC SWITCH-G9985
03	P9984003	COVER
04	PS14M	PHLP HD SCR M6-1.0 X 12
05	P9984005	BRACKET
06	PW06	FLAT WASHER ¼"
07	PLW02	LOCK WASHER ¼"
08	PS26M	PHLP HD SCR M6-1.0 X 20
09	P9984009	RUBBER FOOT
13	P9984013	BASE SUPPORT
15	PW04M	FLAT WASHER 10mm
17	P9984017	SUPPORT
18	PW02	FLAT WASHER ⅜"
19	PLW06M	LOCK WASHER 10mm
20	PB31M	HEX BOLT M10-1.5 x 40
21	P9984021	SANDING BELT 9" x 138½"
22	P9984022	PLATTEN 7/16" X 1389/16"
23	P9984023	PLATE
24	PLW01M	LOCK WASHER 5mm
25	PS40M	PHLP HD SCR M5-0.8 X 16
27	P9984027	BRACKET
28	PW06	FLAT WASHER ¼"
29	PLW02	LOCK WASHER ¼"
30	PS11M	PHLP HD SCR M6-1 X 16
31	P9984031	BRACKET
32	P9984032	DUST HOOD
33	P9984033	GUARD PLATE
34	PW06	FLAT WASHER ¼"
35	PLW02	LOCK WASHER ¼"
36	PS11M	PHLP HD SCR M6-1 X 16
37	P9984037	GUARD PLATE
38	PW06	FLAT WASHER ¼"
39	PS03M	PHLP HD SCR M6-1 X 8
40	P9984040	"U" HANDLE
41	PS16M	PHLP HD SCR M8-1.25 x 16
42	PN03M	HEX NUT M8-1.25
43	P9984043	STAR KNOB M10-1.5 X 15
44	P9984044	EYE BOLT M10-1.5 X 12
45	PB01M	HEX BOLT M10-1.5 X 30
46	P9984046	ELECTRICITY LABEL
47	P9984047	READ MANUAL LABEL
48	P9984048	SAFETY GLASSES LABEL
49	P9984049	UNPLUG MACHINE LABEL



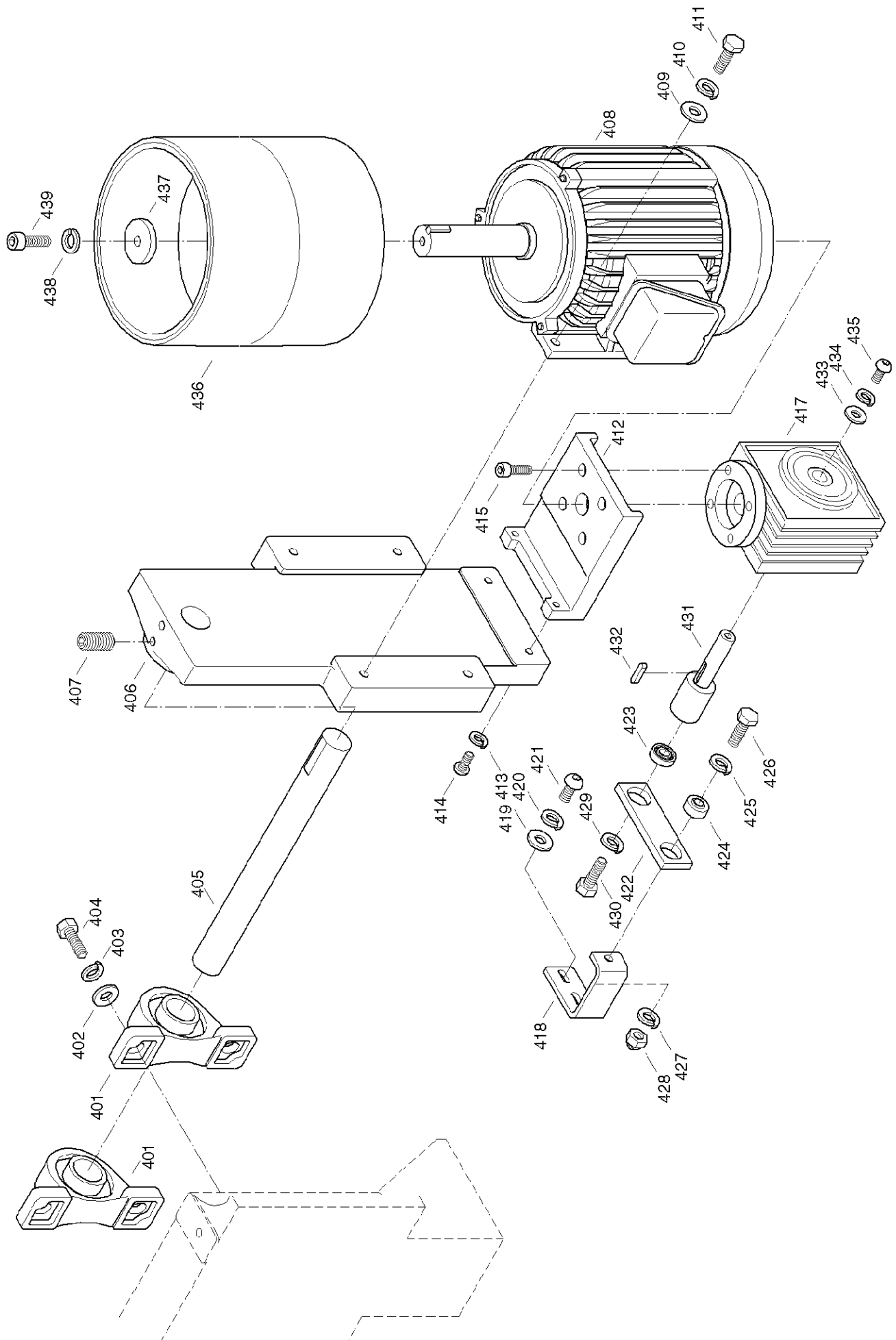
REF	PART #	DESCRIPTION
101	P9984101	ELEVATION BLOCK
102	P9984102	BRUSH
103	P9984103	SEAL
104	P9984104	SHAFT
105	P9984105	LINK
106	PB07M	HEX BOLT M8-1.25 X 25
107	P9984107	SPRING
108	PW07	FLAT WASHER 5/16"
109	PLW01	LOCK WASHER 5/16"
110	PB06M	HEX BOLT M8-1.25 X 12
111	PB34M	HEX BOLT M10-1.5 X 60
112	PN02M	HEX NUT M10-1.5
113	PLW06M	LOCK WASHER 10mm
114	PW07	FLAT WASHER 5/16"
115	PLW01	LOCK WASHER 5/16"
116	PB30M	HEX BOLT M8-1.25 X 55
117	P9984117	ADJUSTMENT PLATE
118	PFH14M	FLAT HD ALLEN SCR M10-1.5 X 25
119	PW04M	FLAT WASHER 10mm
120	PLW06M	LOCK WASHER 10mm
121	PB14M	HEX BOLT M10-1.5 X 35
122	P9984122	TABLE UNIT
123	P9984123	BRACKET (R)
124	P9984124	ADJUSTMENT BASE (R)
125	PB14M	HEX BOLT M10-1.5 X 35
126	PLW06M	LOCK WASHER 10mm
127	PN02M	HEX NUT M10-1.5
128	PW04M	FLAT WASHER 10mm
129	PLW06M	LOCK WASHER 10mm
130	P9984130	LOCK HANDLE M10-1.5 X 35
131	P9984131	INDICATOR SCALE
132	P9984132	POINTER
133	PLW01M	LOCK WASHER 5mm
134	PS09M	PHLP HD SCR M5-0.8 X 10
135	P9984135	BRACKET (L)
136	P9984136	ADJUSTMENT BASE (L)
137	P9984137	OUTSIDE TABLE
138	PW02	FLAT WASHER 3/8"
139	PLW06M	LOCK WASHER 10mm
140	PB01M	HEX BOLT M10-1.5 X 30
141	P9984141	MITER GAUGE
142	P9984142	MITER GAUGE HANDLE 5/16"
143	P9984143	POINTER
144	PLW02M	LOCK WASHER 4mm
145	PS17M	PHLP HD SCR M4-0.7 x 6
146	P9984146	COVER
147	PS03M	PHLP HD SCR M6-1.0 X 8
148	P9984148	LOCK HANDLE M12-1.75 X 40
149	P9984149	ID/WARNING LABEL G9984
149	P9985149	ID/WARNING LABEL G9985



REF	PART #	DESCRIPTION
201	P9984201	SIDE TABLE SUPPORT
202	PW02	FLAT WASHER $\frac{3}{8}$ "
203	PLW06M	LOCK WASHER 10mm
204	PB01M	HEX BOLT M10-1.5 X 30
205	P9984205	LOCK HANDLE M10-1.5 X 25
206	P9984206	SHAFT
208	PB73M	HEX BOLT M10-1.5 X 50
209	PLW06M	LOCK WASHER 10mm
210	PN25M	HEX NUT ACORN M10-1.5
211	PW04M	FLAT WASHER 10mm
212	PLW06M	LOCK WASHER 10mm
213	PB14M	HEX BOLT M10-1.5 X 35
214	PW04M	FLAT WASHER 10mm
215	PLW06M	LOCK WASHER 10mm
216	PB74M	HEX BOLT M10-1.5 X 20
217	P9984217	ADJUSTMENT BASE
218	P9984218	SIDE SANDING TABLE
219	PR11M	EXT RETAINING RING 25mm
220	P9984220	SHAFT
221	P9984221	DUST HOOD
222	PW07	FLAT WASHER $\frac{5}{16}$ "
223	PLW01	LOCK WASHER $\frac{5}{16}$ "
224	PS16M	PHLP HD SCR M8-1.25 x 16



REF	PART #	DESCRIPTION
301	P9984301	SHAFT
302	P9984302	BRUSH
303	P9984303	STOPPER BLOCK
304	P9984304	SPRING
305	P9984305	PLATE
306	PLW06M	LOCK WASHER 10mm
307	PB74M	HEX BOLT M10-1.5 X 20
308	PSS30M	SET SCREW M10-1.5 X 10
309	P9984309	LEVER
310	P9984310	HANDLE M10-1.5
311	PSB70M	CAP SCREW M10-1.5 X 30
312	PLW05M	LOCK WASHER 12mm
313	PN26M	HEX NUT ACORN M12-1.75
314	PB01M	HEX BOLT M10-1.5 X 30
315	PLW06M	LOCK WASHER 10mm
316	P9984316	BUSHING
317	P6003	BEARING 6003LLB
318	PW04M	FLAT WASHER 10mm
319	PN25M	HEX NUT ACORN M10-1.5
321	P9984321	BRACKET
322	P9984322	SPHERICAL BEARING PB20
323	PW04M	FLAT WASHER 10mm
324	PLW06M	LOCK WASHER 10mm
325	PS41M	PHLP HD SCR M10-1.5 X 25
326	PW04M	FLAT WASHER 10mm
327	PLW06M	LOCK WASHER 10mm
328	PS41M	PHLP HD SCR M10-1.5 X 25
329	PLW07	LOCK WASHER ½"
330	PN09M	HEX NUT M12-1.75
331	P9984331	THREADED ROD M12-1.75 X 140
332	PW01	FLAT WASHER ½"
333	P9984333	STAR KNOB
335	P9984335	SHAFT
336	P6205	BEARING NSK6205
337	P9984337	ROLLER
338	PR11M	EXT RETAINING RING 25mm



REF	PART #	DESCRIPTION
401	P9984401	PILLOW BLOCK BEARING
402	PW01	FLAT WASHER 1/2"
403	PLW05M	LOCK WASHER 12mm
404	PB35M	HEX BOLT M12-1.75 X 40
405	P9984405	SHAFT
406	P9984406	MOTOR BASE
407	PSS30M	SET SCREW M10-1.5 X 10
408	P9984408	3 H.P. 220V 1750 R.P.M. MOTOR (SINGLE PHASE)
408	P9985408	3 H.P. 220V 1750 R.P.M. MOTOR (THREE PHASE)
409	PW02	FLAT WASHER 3/8"
410	PLW06M	LOCK WASHER 10mm
411	PB01M	HEX BOLT M10-1.5 X 30
412	P9984412	BRACKET
413	PLW01	LOCK WASHER 5/16"
414	PS42M	PHLP HD SCR M8-1.25 X 35
415	PSB11M	CAP SCREW M8-1.25 X 16
417	P9984417	REDUCER CASING
418	P9984418	BRACKET
419	PW07	FLAT WASHER 5/16"
420	PLW01	LOCK WASHER 5/16"
421	PS04M	PHLP HD SCR M8-1.25 X 20
422	P9984422	BEARING HOUSING
423	P6001	BEARING 6001LLB
424	P9984424	SPHERICAL BEARING PB10
425	PLW06M	LOCK WASHER 10mm
426	PB14M	HEX BOLT M10-1.5 X 35
427	PLW06M	LOCK WASHER 10mm
428	PN25M	HEX NUT ACORN M10-1.5
429	PLW05M	LOCK WASHER 12mm
430	PB25M	HEX BOLT M12-1.75 X 25
431	P9984431	CAM
432	PK42M	KEY 6 X 6 X 30
433	PW01M	FLAT WASHER 8mm
434	PLW01	LOCK WASHER 5/16"
435	PS04M	PHLP HD SCR M8-1.25 X 20
436	P9984436	DRIVE WHEEL
437	PW06M	FLAT WASHER 12
438	PLW05M	LOCK WASHER 12mm
439	PSB36M	CAP SCREW M12-1.75 X 25