



18 GAUGE STAPLER KIT MODEL H2909 PARTS LIST



COPYRIGHT © JANUARY, 2002 BY GRIZZLY INDUSTRIAL, INC.
1821 VALENCIA ST., BELLINGHAM, WA 98227

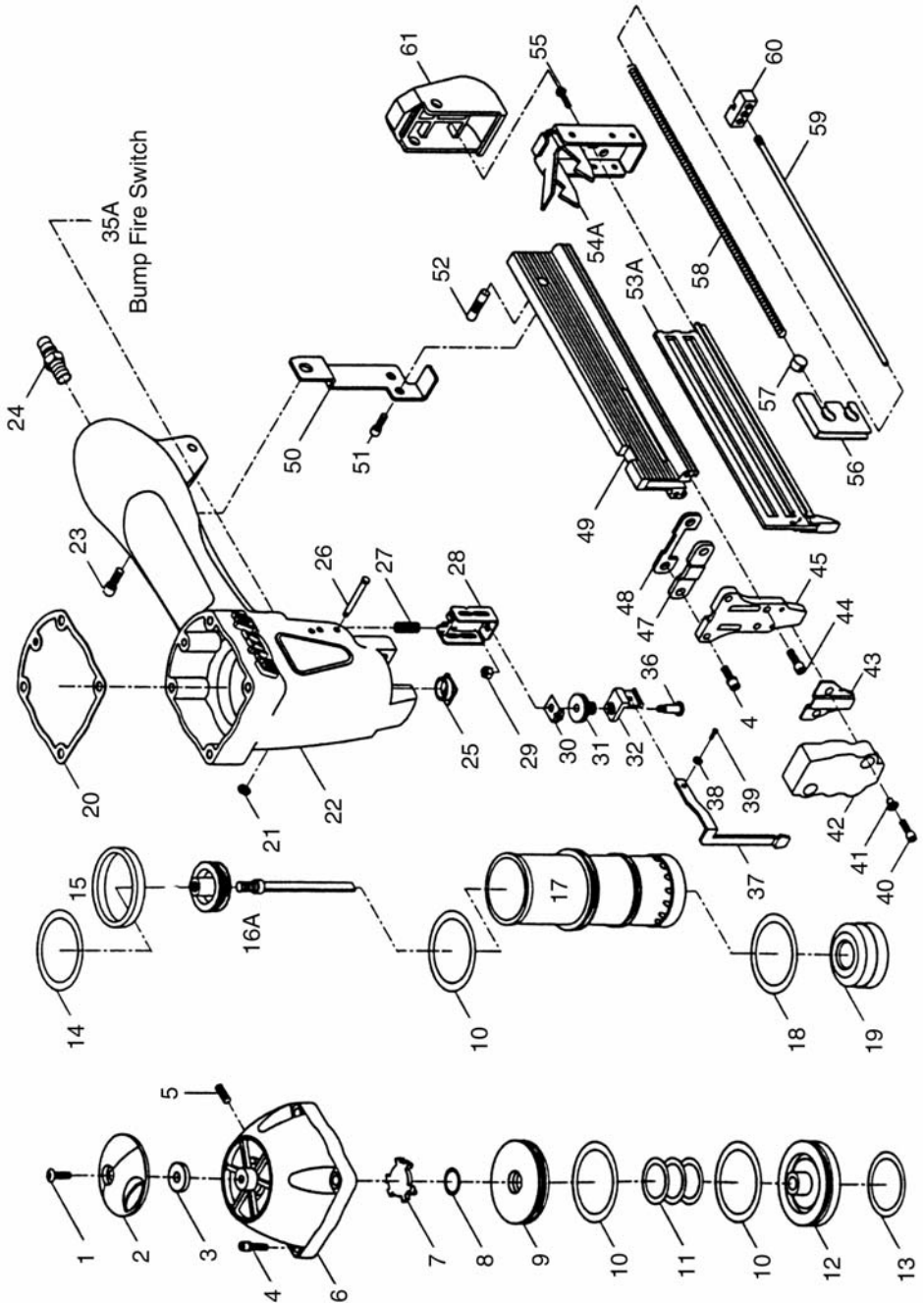
**WARNING: NO PORTION OF THIS MANUAL MAY BE REPRODUCED IN ANY SHAPE
OR FORM WITHOUT THE WRITTEN APPROVAL OF GRIZZLY INDUSTRIAL, INC.**

PRINTED IN TAIWAN

PARTS LIST DISCLAIMER

THIS PARTS LIST AND DRAWINGS REPRESENT THE CONFIGURATION OF THE MACHINE AS IT IS CURRENTLY BEING SHIPPED. THE MACHINE CONFIGURATION CAN CHANGE AS PRODUCT IMPROVEMENTS ARE INCORPORATED. IF YOU OWN AN EARLIER VERSION OF THE MACHINE, THIS PARTS LIST MAY NOT DEPICT YOUR MACHINE EXACTLY. CONTACT CUSTOMER SERVICE IF YOU HAVE ANY QUESTIONS ABOUT PART DIFFERENCES. PREVIOUS PARTS LIST VERSIONS ARE NOT AVAILABLE ONLINE.

H2909 PART BREAKDOWN



REF	PART #	DESCRIPTION
01	PH2909001	UM HD BOLT
02	PH2909002	CAP COVER
03	PH2909003	SEAL
04	PH2909004	CAP SCREW
05	PH2909005	SETSCREW
06	PH2909006	CAP
07	PH2909007	PISTON STOPPER
08	PH2909008	O-RING
09	PH2909009	COLLAR
10	PH2909010	O-RING
11	PH2909011	SPRING
12	PH2909012	PISTON HEAD VALVE
13	PH2909013	O-RING
14	PH2909014	O-RING
15	PH2909015	O-RING
16A	PH2909016A	PISTON ASSEMBLY
17	PH2909017	CYLINDER
18	PH2909018	O-RING
19	PH2909019	BUMPER
20	PH2909020	GASKET
21	PH2909021	O-RING
22	PH2909022	BODY
23	PH2909023	CAP SCREW
24	PH2909024	AIR PLUG
25	PH2909025	JOINT GUIDE
26	PH2909026	STEPPED PIN
27	PH2909027	SPRING
28	PH2909028	SAFETY LEVER
29	PH2909029	LOCK NUT

REF	PART #	DESCRIPTION
30	PH2909030	POSITIONING PLATE
31	PH2909031	ADJUSTMENT NUT
32	PH2909032	GUIDE PLATE
35A	PH2909035A	SWITCH
36	PH2909036	SET SHAFT
37	PH2909037	SAFETY LEVER
38	PH2909038	LOCK WASHER
39	PH2909039	CAP SCREW
40	PH2909040	CAP SCREW
41	PH2909041	SOCKET
42	PH2909042	NOSE COVER
43	PH2909043	NOSE COVER
44	PH2909044	CAP SCREW
45	PH2909045	NOSE
47	PH2909047	SET PLATE
48	PH2909048	SET PLATE
49	PH2909049	MAGAZINE
50	PH2909050	BRACKET
51	PH2909051	CAP SCREW
52	PH2909052	SHAFT
53A	PH2909053A	STAPLE GUIDE UNIT
54A	PH2909054A	END CORE
55	PH2909055	UM HD BOLT
56	PH2909056	PUSHER
57	PH2909057	SLIDE BLOCK
58	PH2909058	SPRING
59	PH2909059	ROD
60	PH2909060	SET BLOCK
61	PH2909061	TAIL COVER