

Grizzly Industrial, Inc.®

3-IN-1 WOOD, METAL & CONCRETE NAILER

MODEL H2910 INSTRUCTION MANUAL



COPYRIGHT © JANUARY, 2002 BY GRIZZLY INDUSTRIAL, INC.

1821 VALENCIA ST., BELLINGHAM, WA 98227

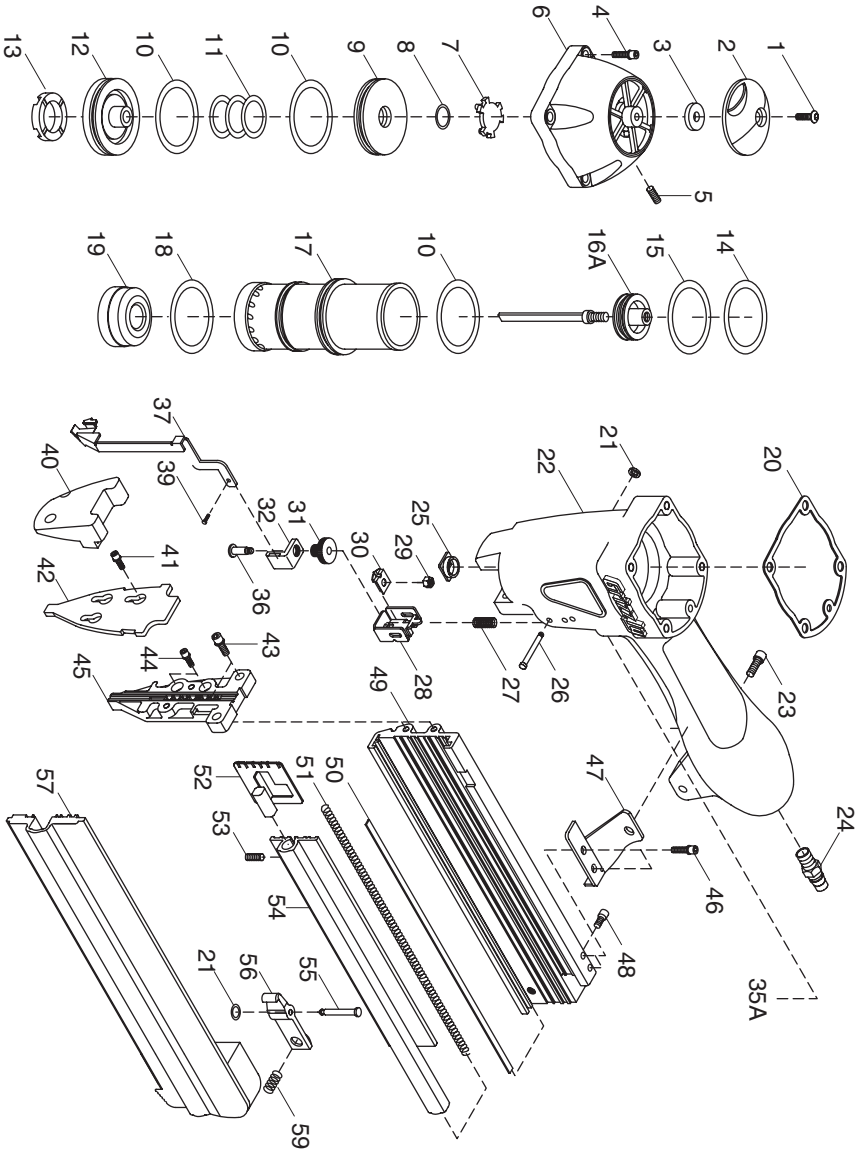
WARNING: NO PORTION OF THIS MANUAL MAY BE REPRODUCED IN ANY SHAPE OR FORM WITHOUT THE WRITTEN APPROVAL OF GRIZZLY INDUSTRIAL, INC.

PRINTED IN TAIWAN

PARTS LIST DISCLAIMER

THIS PARTS LIST AND DRAWINGS REPRESENT THE CONFIGURATION OF THE MACHINE AS IT IS CURRENTLY BEING SHIPPED. THE MACHINE CONFIGURATION CAN CHANGE AS PRODUCT IMPROVEMENTS ARE INCORPORATED. IF YOU OWN AN EARLIER VERSION OF THE MACHINE, THIS PARTS LIST MAY NOT DEPICT YOUR MACHINE EXACTLY. CONTACT CUSTOMER SERVICE IF YOU HAVE ANY QUESTIONS ABOUT PART DIFFERENCES. PREVIOUS PARTS LIST VERSIONS ARE NOT AVAILABLE ONLINE.

H2910 PART BREAKDOWN



REF	PART #	DESCRIPTION
01	PH2910001	CAP SCREW
02	PH2910002	CAP COVER
03	PH2910003	SEAL
04	PH2910004	CAP SCREW
05	PH2910005	SETSCREW
06	PH2910006	CAP
07	PH2910007	PISTON STOPPER
08	PH2910008	O-RING
09	PH2910009	COLLAR
10	PH2910010	O-RING
11	PH2910011	SPRING
12	PH2910012	PISTON HEAD VALVE
13	PH2910013	O-RING
14	PH2910014	O-RING
15	PH2910015	O-RING
16A	PH2910016A	PISTON ASSEMBLY
17	PH2910017	CYLINDER
18	PH2910018	O-RING
19	PH2910019	BUMPER
20	PH2910020	GASKET
21	PH2910021	O-RING
22	PH2910022	BODY
23	PH2910023	CAP SCREW
24	PH2910024	AIR PLUG
25	PH2910025	JOINT GUIDE
26	PH2910026	STEPPED PIN
27	PH2910027	SPRING
28	PH2910028	SAFETY LEVER

REF	PART #	DESCRIPTION
29	PH2910029	LOCK NUT
30	PH2910030	POSITIONING PLATE
31	PH2910031	ADJUSTMENT NUT
32	PH2910032	GUIDE PLATE
35A	PH2910035A	BUMP FIRE SWITCH
36	PH2910036	SET SHAFT
37	PH2910037	SAFETY LEVER
38	PH2910038	LOCK WASHER
39	PH2910039	CAP SCREW
40	PH2910040	RUBBER PAD
41	PH2910041	CAP SCREW
42	PH2910042	DIVER GUIDE COVER
43	PH2910043	CAP SCREW
44	PH2910044	CAP SCREW
45	PH2910045	NOSE
47	PH2910047	BRACKET
48	PH2910048	CAP SCREW
49	PH2910049	MAGAZINE
50	PH2910050	NAIL GUIDE LINER
51	PH2910051	SPRING
52	PH2910052	PUSHER
53	PH2910053	SET SCREW
54	PH2910054	MAGAZINE COVER
55	PH2910055	ROLLED PIN
56	PH2910056	STOPPER
57	PH2910057	MAGAZINE COVER
59	PH2910059	SPRING