

# *Grizzly* Industrial, Inc.®

## 2-IN-1 NAILER/STAPLER KIT

### MODEL H2912/H2913

## PARTS LIST



Model H2912

Model H2913

COPYRIGHT © JANUARY, 2002 BY GRIZZLY INDUSTRIAL, INC.  
1821 VALENCIA ST., BELLINGHAM, WA 98227

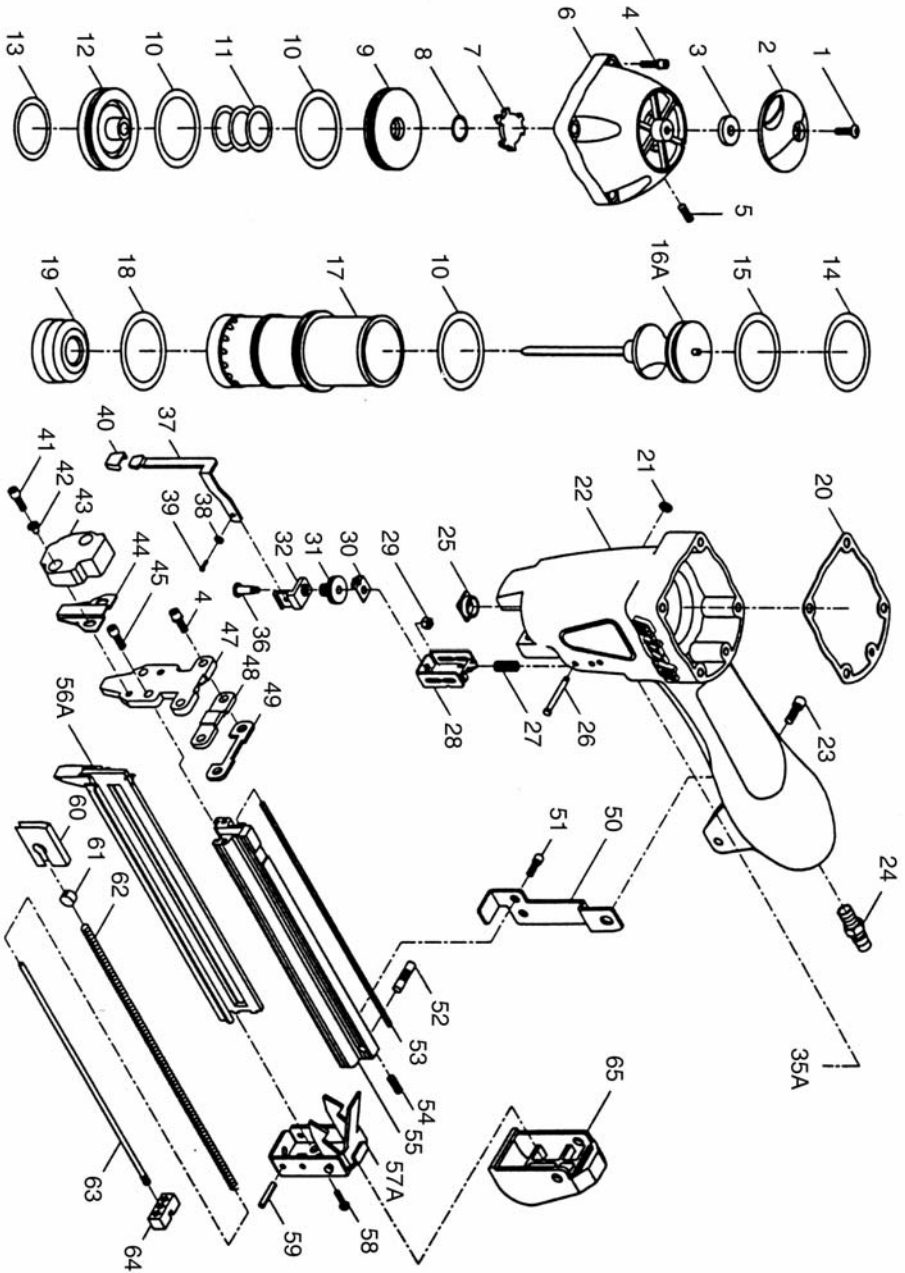
v

PRINTED IN TAIWAN

#### PARTS LIST DISCLAIMER

THIS PARTS LIST AND DRAWINGS REPRESENT THE CONFIGURATION OF THE MACHINE AS IT IS CURRENTLY BEING SHIPPED. THE MACHINE CONFIGURATION CAN CHANGE AS PRODUCT IMPROVEMENTS ARE INCORPORATED. IF YOU OWN AN EARLIER VERSION OF THE MACHINE, THIS PARTS LIST MAY NOT DEPICT YOUR MACHINE EXACTLY. CONTACT CUSTOMER SERVICE IF YOU HAVE ANY QUESTIONS ABOUT PART DIFFERENCES. PREVIOUS PARTS LIST VERSIONS ARE NOT AVAILABLE ONLINE.

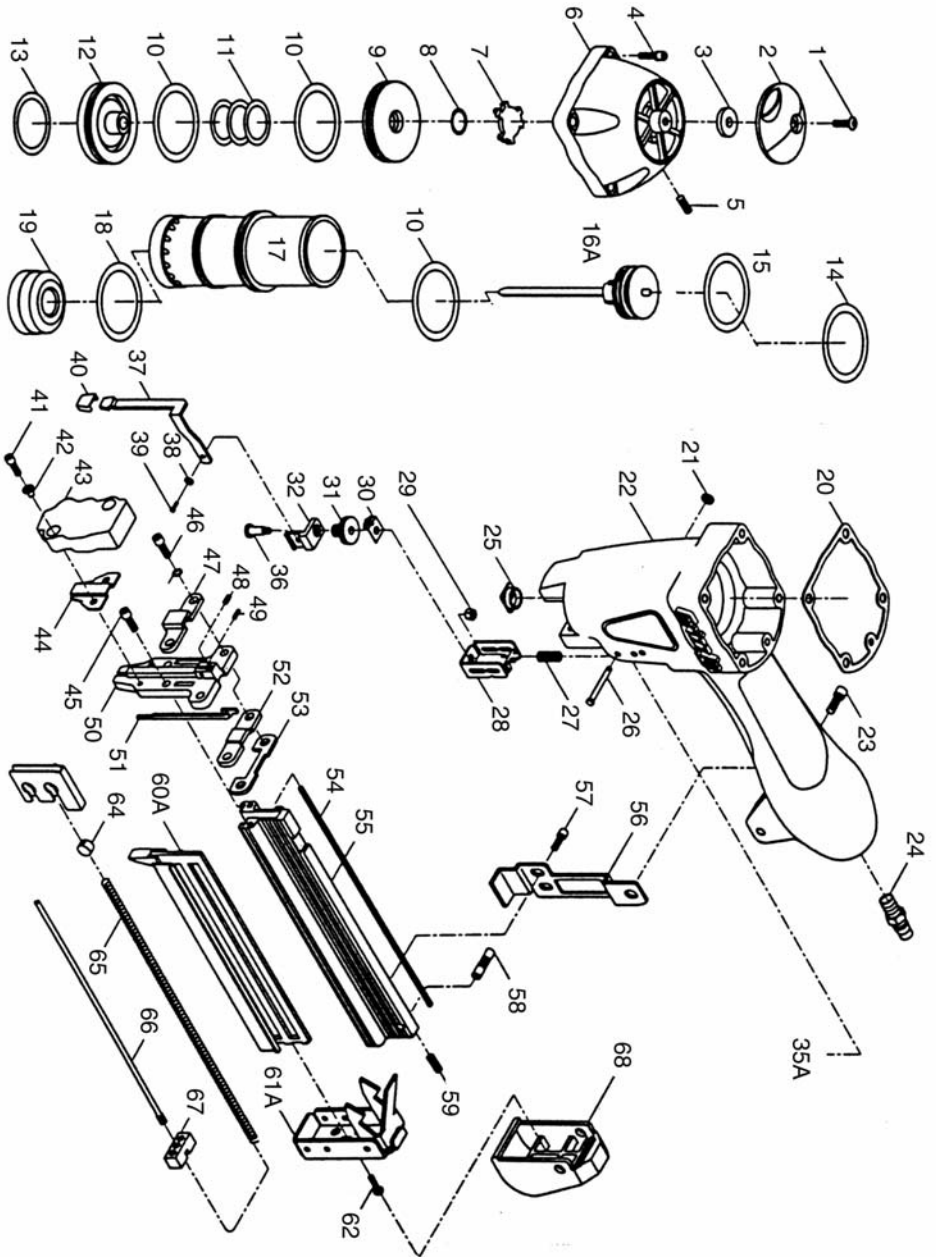
# H2912 PART BREAKDOWN



REF	PART #	DESCRIPTION
01	PH2912001	CAP SCREW
02	PH2912002	CAP COVER
03	PH2912003	SEAL
04	PH2912004	CAP SCREW
05	PH2912005	SETSCREW
06	PH2912006	CAP
07	PH2912007	PISTON STOPPER
08	PH2912008	O-RING
09	PH2912009	COLLAR
10	PH2912010	O-RING
11	PH2912011	SPRING
12	PH2912012	PISTON HEAD VALVE
13	PH2912013	O-RING
14	PH2912014	O-RING
15	PH2912015	O-RING
16A	PH2912016A	PISTON ASSEMBLY
17	PH2912017	CYLINDER
18	PH2912018	O-RING
19	PH2912019	BUMPER
20	PH2912020	GASKET
21	PH2912021	O-RING
22	PH2912022	BODY
23	PH2912023	CAP SCREW
24	PH2912024	AIR PLUG
25	PH2912025	JOINT GUIDE
26	PH2912026	STEPPED PIN
27	PH2912027	SPRING
28	PH2912028	SAFETY LEVER
29	PH2912029	LOCK NUT
30	PH2912030	POSITIONING PLATE
31	PH2912031	ADJUSTMENT NUT

REF	PART #	DESCRIPTION
32	PH2912032	GUIDE PLATE
35A	PH2912035A	BUMP FIREB SWITCH
36	PH2912036	SET SHAFT
37	PH2912037	SAFETY LEVER
38	PH2912038	LOCK WASHER
39	PH2912039	CAP SCREW
40	PH2912040	RUBBER PAD
41	PH2912041	CAP SCREW
42	PH2912042	SOCKET
43	PH2912043	NOSE COVER
44	PH2912044	NOSE COVER
45	PH2912045	CAP SCREW
47	PH2912047	NOSE
48	PH2912048	SET PLATE
49	PH2912049	SET PLATE
50	PH2912050	BRACKET
51	PH2912051	CAP SCREW
52	PH2912052	SHAFT
53	PH2912053	LINER
54	PH2912054	SET SCREW
55	PH2912055	MAGAZINE
56A	PH2912056A	STAPLE GUIDE UNIT
57A	PH2912057A	END CORE ASBLY.
58	PH2912058	CAP SCREW
59	PH2912059	ROLLED PIN
60	PH2912060	PUSHER
61	PH2912061	SLIDE BLOCK
62	PH2912062	SPRING
63	PH2912063	ROD
64	PH2912064	SET BLOCK
65	PH2909065	TAIL COVER

# H2913 PART BREAKDOWN



REF	PART #	DESCRIPTION
01	PH2913001	CAP SCREW
02	PH2913002	CAP COVER
03	PH2913003	SEAL
04	PH2913004	CAP SCREW
05	PH2913005	SETSCREW
06	PH2913006	CAP
07	PH2913007	PISTON STOPPER
08	PH2913008	O-RING
09	PH2913009	COLLAR
10	PH2913010	O-RING
11	PH2913011	SPRING
12	PH2913012	PISTON HEAD VALVE
13	PH2913013	O-RING
14	PH2913014	O-RING
15	PH2913015	O-RING
16A	PH2913016A	PISTON ASSEMBLY
17	PH2913017	CYLINDER
18	PH2913018	O-RING
19	PH2913019	BUMPER
20	PH2913020	GASKET
21	PH2913021	O-RING
22	PH2913022	BODY
23	PH2913023	CAP SCREW
24	PH2913024	AIR PLUG
25	PH2913025	JOINT GUIDE
26	PH2913026	STEPPED PIN
27	PH2913027	SPRING
28	PH2913028	SAFETY LEVER
29	PH2913029	LOCK NUT
30	PH2913030	POSITIONING PLATE
31	PH2913031	ADJUSTMENT NUT
32	PH2913032	GUIDE PLATE
35A	PH2913035A	BUMP FIRE SWITCH
36	PH2913036	SET SHAFT

REF	PART #	DESCRIPTION
37	PH2913037	SAFETY LEVER
38	PH2913038	LOCK WASHER
39	PH2913039	CAP SCREW
40	PH2913040	RUBBER PAD
41	PH2913041	CAP SCREW
42	PH2913042	SOCKET
43	PH2913043	NOSE COVER
44	PH2913044	NOSE COVER
45	PH2913045	CAP SCREW
46	PH2913046	CAP SCREW
46-1	PH2913046-1	LOCK WASHER
47	PH2913047	SET PLATE
48	PH2913048	SPRING
49	PH2913049	ROLLED PIN
50	PH2913050	NOSE
51	PH2913051	NAIL GUIDE PLATE
52	PH2913052	SET PLATE
53	PH2913053	SET PLATE
54	PH2913054	LINER
55	PH2913055	MAGAZINE
56	PH2913056	BRACKET
57	PH2913057	CAP SCREW
58	PH2913058	SHAFT
59	PH2913059	SET SCREW
60A	PH2913060A	STAPLE GUIDE UNIT
61A	PH2913061A	END CORE ASSY.
62	PH2913062	CAP SCREW
63	PH2913063	PUSHER
64	PH2913064	SLIDE BLOCK
65	PH2913065	SPRING
66	PH2913066	ROD
67	PH2913067	SET BLOCK
68	PH2913068	TAIL COVER