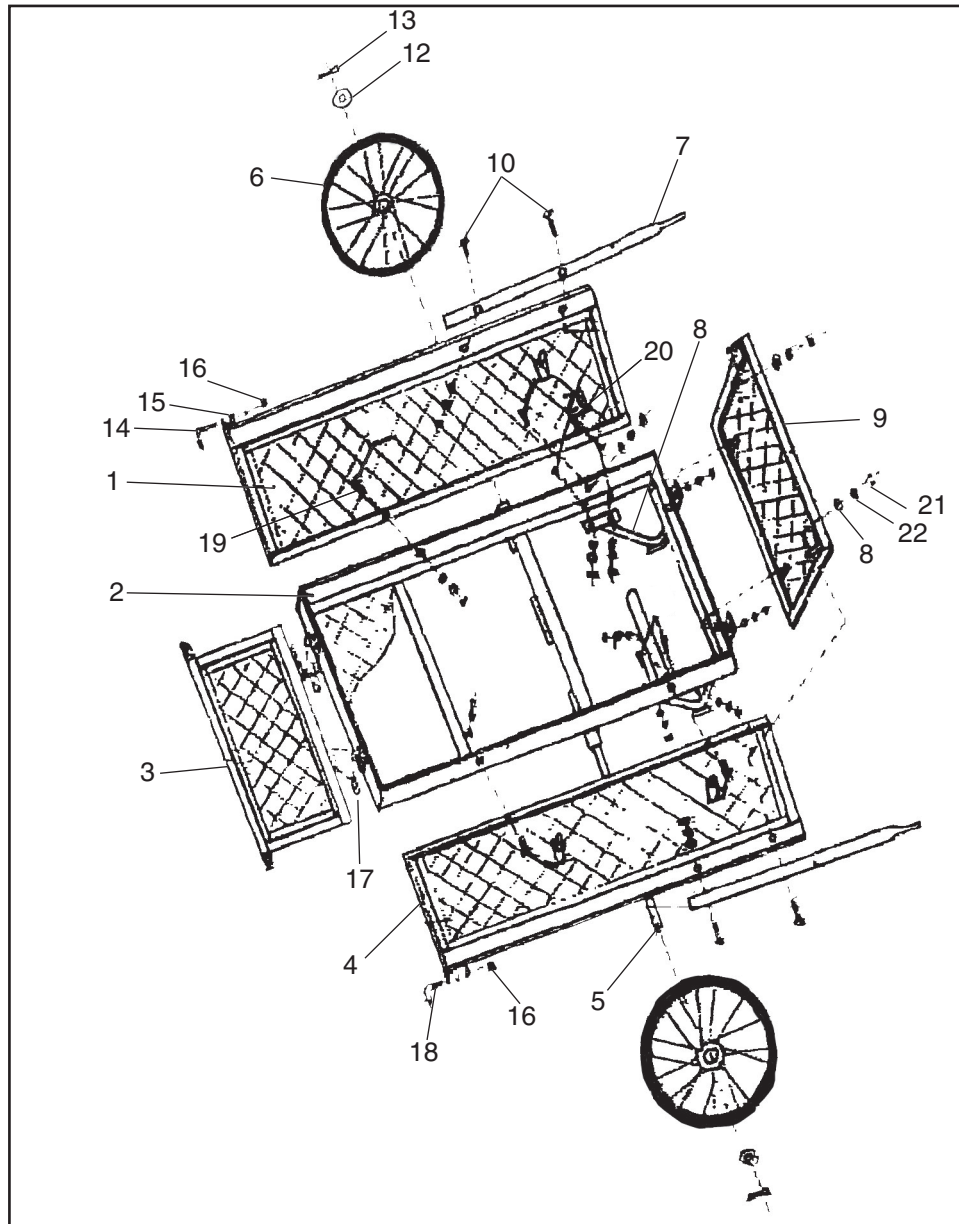


H3033 Parts Breakdown and List



REF	PART#	DESCRIPTION
1	PH3033001	RIGHT FENCE
2	PH3033002	BASE
3	PH3033003	FRONT FENCE
4	PH3033004	LEFT FENCE
5	PH3033005	AXLE
6	PH3033006	TIRES 20-2.125
7	PH3033007	HANDLES
8	PH3033008	LEGS
9	PH3033009	REAR FENCE
10	PS89M	PHLP HD SCR M8-1.25 X 65
12	PW13M	FLAT WASHER 20MM

REF	PART#	DESCRIPTION
13	PH3033013	COTTER PIN 4MM X 47MM
14	PH3033014	RIGHT SPANNER
15	PW01M	FLAT WASHER 8MM
16	PLN04M	LOCK NUT M8-1.25
17	PH3033017	HINGE PIN
18	PH3033018	LEFT SPANNER
19	PB20M	HEX BOLT M8-1.25 X 35
20	PB07M	HEX BOLT M8-1.25 X 25
21	PN03M	HEX NUT M8-1.25
22	PLW04M	LOCK WASHER 8MM