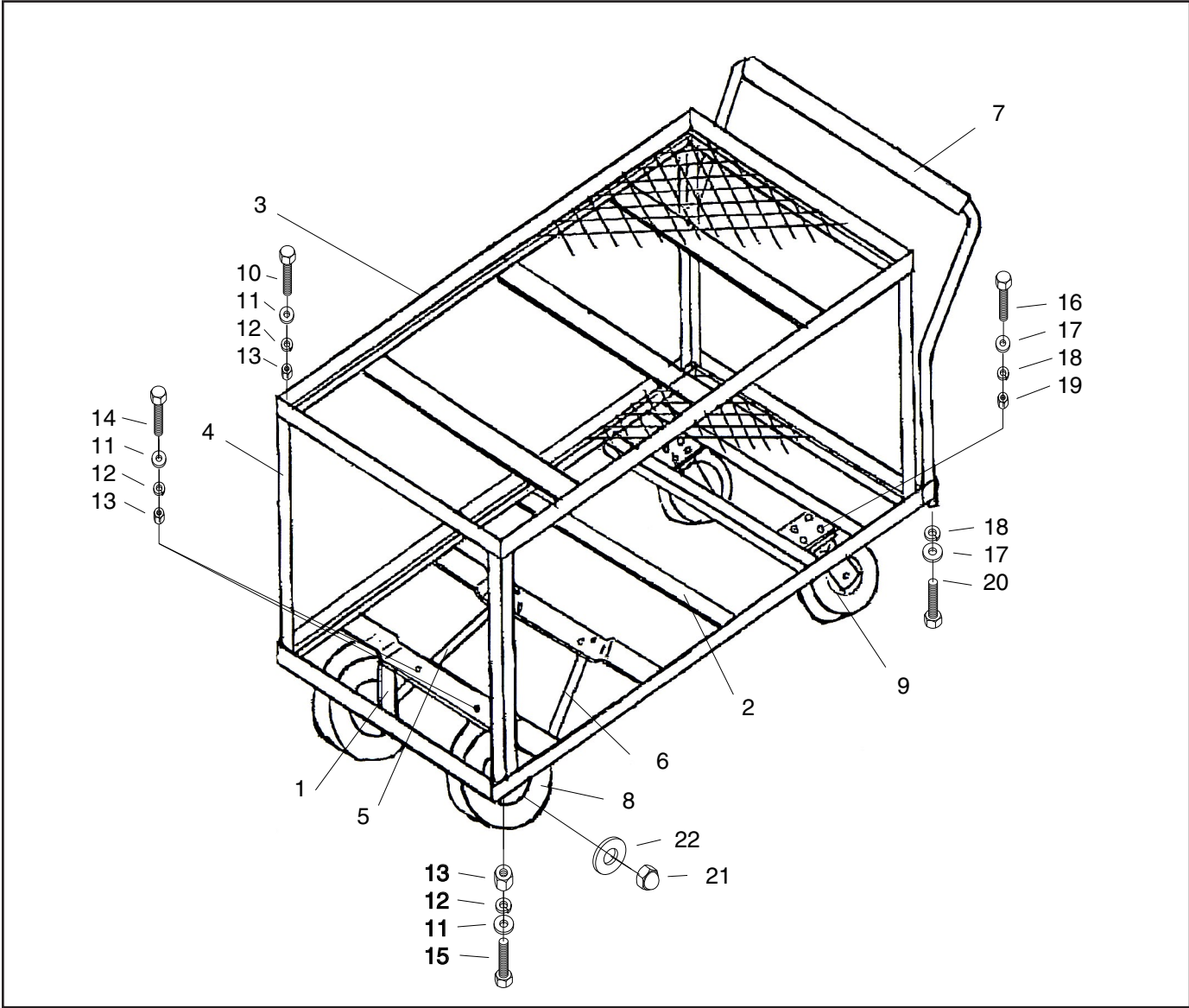


H3035 Parts Breakdown and List



REF	PART #	DESCRIPTION
1	PH3035001	AXLE BRACKET
2	PH3035002	BOTTOM TRAY
3	PH3035003	TOP TRAY
4	PH3035004	POST
5	PH3035005	AXLE BRACE (R)
6	PH3035006	AXLE BRACE (L)
7	PH3035007	HANDLE
8	PH3035008	FIXED WHEEL 13.0 X 5
9	PH3035009	SWIVEL CASTER 4.1 X 3.5
10	PB07M	HEX BOLT M8-1.25 X 25
11	PW01M	FLAT WASHER 8MM

REF	PART #	DESCRIPTION
12	PLW04M	LOCK WASHER 8MM
13	PN03M	HEX NUT M8-1.25
14	PB09M	HEX BOLT M8 X 1.25 X 20
15	PB126M	HEX BOLT M8 X 1.25 X 38
16	PB31M	HEX BOLT M10 X 1.5 X 40
17	PW04M	FLAT WASHER 10MM
18	PLW06M	LOCK WASHER 10MM
19	PN02M	HEX NUT M10-1.5
20	PB32M	HEX BOLT M10-1.5 X 25
21	PN26M	ACORN NUT M12-1.75
22	PW06M	FLAT WASHER 12MM