

# *Grizzly* **Industrial, Inc.**®

## **TILE SAW MODEL H3118 PARTS LIST**

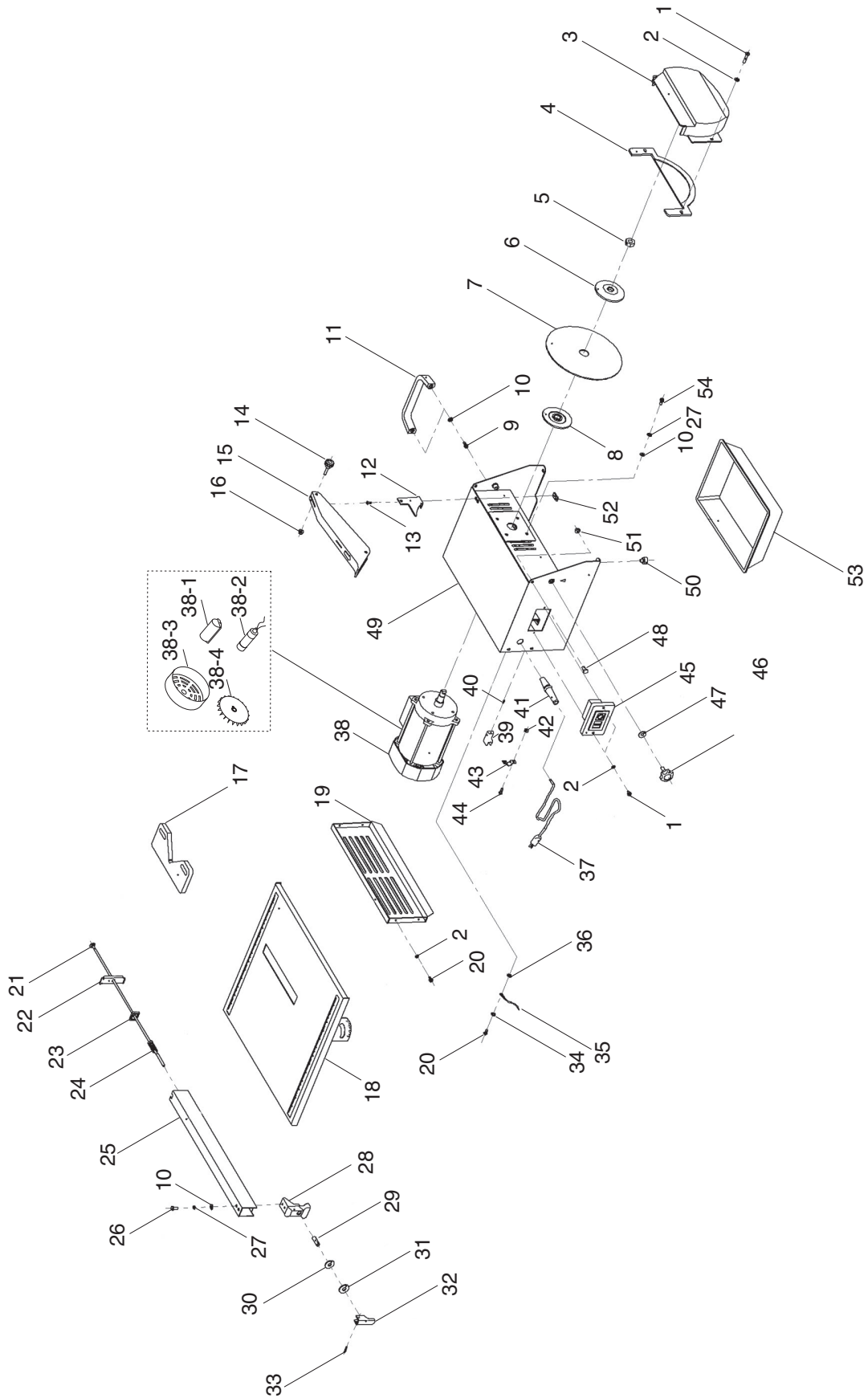


COPYRIGHT © JANUARY 2008 BY GRIZZLY INDUSTRIAL, INC  
**WARNING: NO PORTION OF THIS MANUAL MAY BE REPRODUCED IN ANY SHAPE  
OR FORM WITHOUT THE WRITTEN APPROVAL OF GRIZZLY INDUSTRIAL, INC.**  
PRINTED IN CHINA

#### **ONLINE PARTS LIST DISCLAIMER**

THESE PARTS REPRESENT THE CONFIGURATION OF THE MACHINE AS IT IS CURRENTLY BEING SHIPPED. THE MACHINE CONFIGURATION CAN CHANGE AS PRODUCT IMPROVEMENTS ARE INCORPORATED. IF YOU OWN AN EARLIER VERSION OF THE MACHINE, THIS PARTS LIST MAY NOT EXACTLY DEPICT YOUR MACHINE. CONTACT CUSTOMER SERVICE IF YOU HAVE ANY QUESTIONS ABOUT PART DIFFERENCES. PREVIOUS PARTS LIST VERSIONS ARE NOT AVAILABLE ONLINE.

# Parts Breakdown



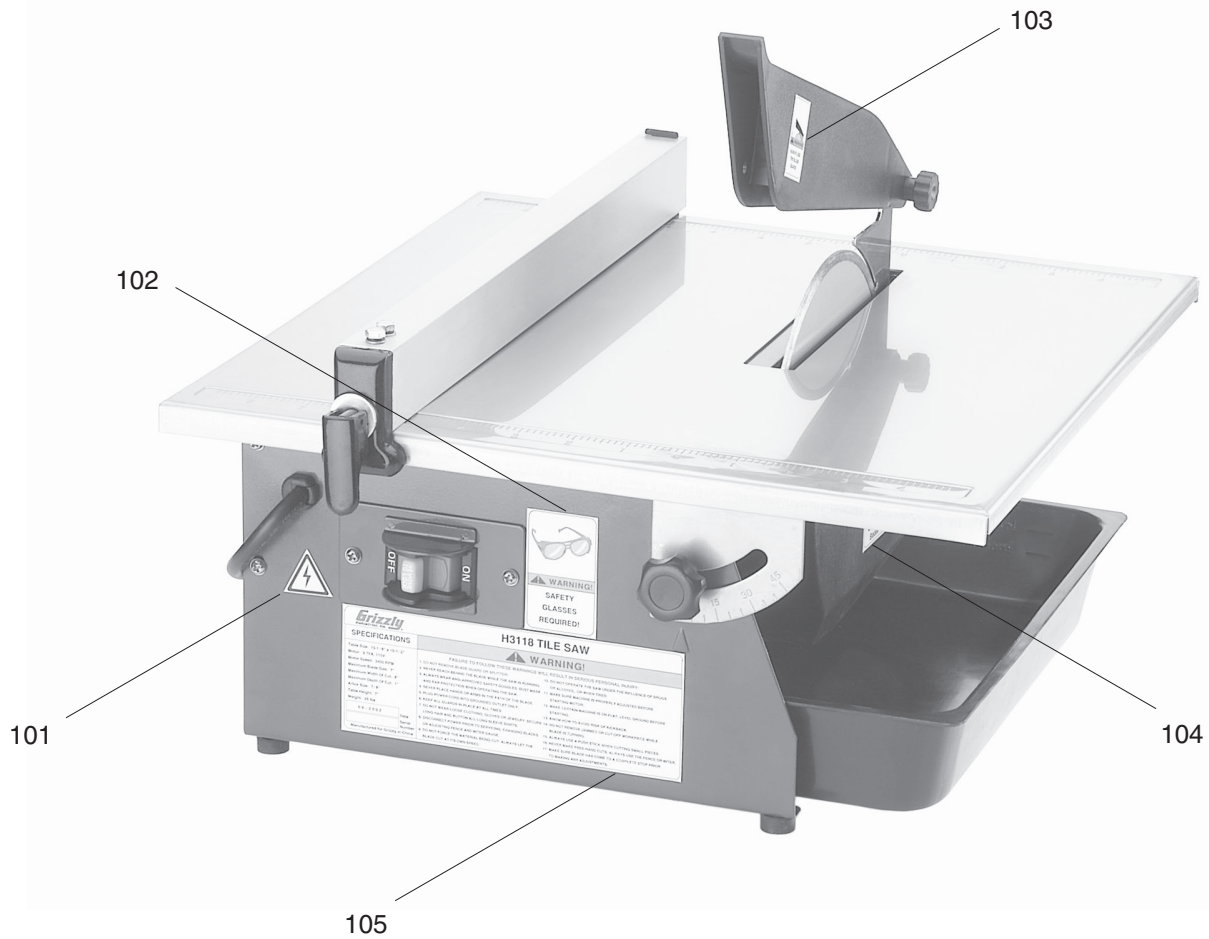
# Parts List

REF	PART #	DESCRIPTION
1	PS38M	PHLP HD SCR M4-.7 X 10
2	PW05M	FLAT WASHER 4MM
3	PH3118003	LOWER BLADE COVER
4	PH3118004	LOWER GUARD PLATE
5	PN31M	HEX NUT M12-1.5
6	PH3118006	OUTER FLANGE
7	PH3118007	BLADE
8	PH3118008	INNER FLANGE
9	PS09M	PHLP HD SCR M5-.8 X 10
10	PW02M	FLAT WASHER 5MM
11	PH3118011	HANDLE
12	PH3118012	RIVING KNIFE
13	PFH19M	FLAT HD SCR M4-.7 X 10
14	PH3118014	KNOB M5-.8
15	PH3118015	BLADE GUARD
16	PN06M	HEX NUT M5-.8
17	PH3118017	MITER GUARD
18	PH3118018	TABLE
19	PH3118019	REAR COVER
20	PS07M	PHLP HD SCR M4-.7 X 8
21	PH3118021	CLAMP ROD
22	PH3118022	MOVING CLAMP
23	PH3118023	SQUARE SPACER
24	PH3118024	COMPRESSION SPRING
25	PH3118025	FENCE
26	PB96M	HEX BOLT M5-.8 X 10
27	PLW01M	LOCK WASHER 5MM
28	PH3118028	LOCKING LEVER
29	PH3118029	CONNECTION PIN

REF	PART #	DESCRIPTION
30	PH3118030	RUBBER WASHER
31	PW01M	FLAT WASHER 8MM
32	PH3118032	CLAMP LEVER
33	PRP02M	ROLL PIN 3 X 16
34	PLW02M	LOCK WASHER 4MM
35	PH3118035	GROUND WIRE CONNECTION
36	PTLW01M	EXT TOOTH WASHER 4MM
37	PH3118037	POWER CORD 110V, W/5-15 PLUG
38	PH3118038	MOTOR 1HP 110V
38-1	PH3118038-1	CAPACITOR COVER
38-2	PH3118038-2	CAPACITOR 20M 250V 1-1/2 X 2-5/8
38-3	PH3118038-3	FAN COVER
38-4	PH3118038-4	FAN
39	PH3118039	CORD STORAGE
40	PHTEK11M	TAP SCREW M3 X 8
41	PH3118041	STRAIN RELIEF
42	PN04M	HEX NUT M4-.7
43	PH3118043	FIXED CLAMP
44	PS38M	PHLP HD SCREW M4-.7 X 10
45	PH3118045	SWITCH ASSEMBLY
46	PH3118046	KNOB M6-1
47	PW03M	FLAT WASHER 6MM
48	PB02M	HEX BOLT M6-1 X 12
49	PH3118049	FRAME
50	PH3118050	RUBBER FOOT
51	PLN03M	LOCK NUT M6-1
52	PH3118052	SPECIAL NUT M4-.7
53	PH3118053	WATER TRAY
54	PS40M	PHLP HD SCR M5-.8 X 16



# Label Placement and List



REF	PART #	DESCRIPTION
101	PLABEL-14	ELECTRICITY LABEL
102	PLABEL-11	SAFETY GLASSES 2" X 3 5/16"
103	PH3118103	BLADE GUARD WARNING

REF	PART #	DESCRIPTION
104	PH3118104	UNPLUG LABEL
105	PH3118105	MACHINE ID/WARNING

## WARNING

Safety labels warn about machine hazards and ways to prevent injury. The owner of this machine **MUST** maintain the original location and readability of the labels on the machine. If any label is removed or becomes unreadable, **REPLACE** that label before using the machine again. Contact Grizzly at (800) 523-4777 or [www.grizzly.com](http://www.grizzly.com) to order new labels.

