



HEAVY-DUTY PLANER

MODEL H3141

PARTS LIST

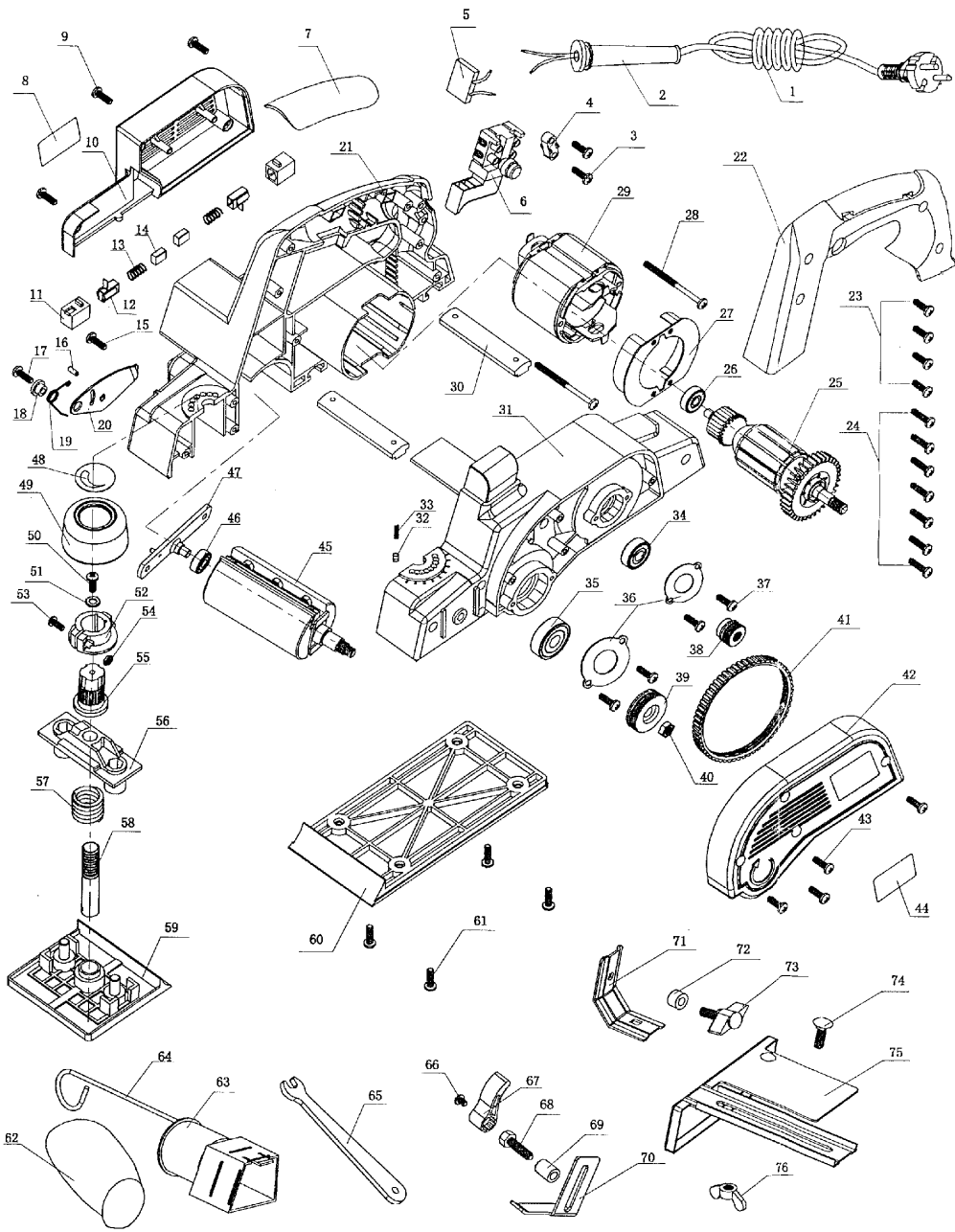


COPYRIGHT © DECEMBER 2002 BY GRIZZLY INDUSTRIAL, INC.
1821 VALENCIA ST., BELLINGHAM, WA 98227

**WARNING: NO PORTION OF THIS MANUAL MAY BE REPRODUCED IN ANY SHAPE
OR FORM WITHOUT THE WRITTEN APPROVAL OF GRIZZLY INDUSTRIAL, INC.**
PRINTED IN CHINA

ONLINE PARTS LIST DISCLAIMER

THESE PARTS REPRESENT THE CONFIGURATION OF THE MACHINE AS IT IS CURRENTLY BEING SHIPPED. THE MACHINE CONFIGURATION CAN CHANGE AS PRODUCT IMPROVEMENTS ARE INCORPORATED. IF YOU OWN AN EARLIER VERSION OF THE MACHINE, THIS PARTS LIST MAY NOT EXACTLY DEPICT YOUR MACHINE. CONTACT CUSTOMER SERVICE IF YOU HAVE ANY QUESTIONS ABOUT PART DIFFERENCES. PREVIOUS PARTS LIST VERSIONS ARE NOT AVAILABLE ONLINE.



REF	PART #	DESCRIPTION
1	PH3141001	CABLE
2	PH3141002	CABLE BUSHING
3	PHTEK8	TAP SCREW #8 X 1/2"
4	PH3141004	CABLE CLAMP
5	PH3141005	CAPACITANCE
6	PH3141006	SWITCH
7	PH3141007	HANDLE COVER
8	PH3141008	NAMEPLATE
9	PHTEK10	TAP SCREW #8 X 5/8"
10	PH3141010	RIGHT COVER
11	PH3141011	BRUSH HOLDER
12	PH3141012	BRUSH LINING
13	PH3141013	SPRING
14	PH3141014	CARBON BRUSH
15	PHTEK8	TAP SCREW #8 X 1/2"
16	PH3141016	PIN
17	PHTEK11	TAP SCREW #8 X 3/4"
18	PH3141018	BUSHING
19	PH3141019	SPRING
20	PH3141020	BAFFLE
21	PH3141021	RIGHT HOUSING
22	PH3141022	LEFT HANDLE
23	PHTEK10	TAP SCREW #8 X 5/8"
24	PHTEK10	TAP SCREW #8 X 5/8"
25	PH3141025	ROTATOR
26	P626	BEARING626ZZ
27	PH3141027	AIR DEFLECTOR
28	PHTEK12	TAP SCREW #8 X 2"
29	PH3141029	STATOR
30	PH3141030	SLAT
31	PH3141031	LEFT HOUSING
32	PH3141032	SPRING
33	PH3141033	SLEEVE
34	P608	BEARING 608ZZ
35	P6200	BEARING 6200ZZ
36	PH3141036	FLANGE
37	PS39M	PHLP HD SCR M8-1.25 X 10
38	PH3141038	DRIVING WHEEL

REF	PART #	DESCRIPTION
39	PH3141039	PASSIVE WHEEL
40	PNO1M	HEX NUT M6
41	PH3141041	DRIVING BELT
42	PH3141042	LEFT COVER
43	PHTEK10	TAP SCREW #8 X 5/8"
44	PH3141044	BRAND
45	PH3141045	BLADE BODY
46	P606	BEARING 606ZZ
47	PH3141047	TOOL CARRIER
48	PH3141048	KNOB COVER
49	PH3141049	KNOB
50	PHTEK8	TAP SCREW #8 X 1/2"
51	PW02M	FLAT WASHER M5
52	PH3141052	ADJUSTING RING
53	PS38M	PHLP HD SCR M4-0.7 X 10
54	PNO4M	HEX NUT M4-0.7
55	PH3141055	REGULATIVE SHAFT
56	PH3141056	SUPPORT FRAME
57	PH3141057	SPRING
58	PH3141058	SHAFT
59	PH3141059	BASE PLATE
60	PH3141060	BASE PLATE
61	PHTEK8	TAP SCREW #8 X 1/2"
62	PH3141062	DUST COLLECTION BAG
63	PH3141063	DUST COLLECTOR
64	PH3141064	WIRE
65	PH3141065	SPANNER
66	PS07M	PHLP HD SCR M4-0.7 X 8
67	PH3141067	LOCK KNOB
68	PH3141068	SPECIAL BOLT M6-1.0 X 24
69	PH3141069	BUSHING
70	PH3141070	DEPTH GAUGE
71	PH3141071	FIXATION FRAME
72	PH3141072	BUSHING
73	PH3141073	KNOB BOLT M6-1.0 X 10
74	PCB5M	CARRIAGE BOLT M6-1.0 X 12
75	PH3141075	BAFFLE
76	PWN01M	WING NUT M6-1.0