

Grizzly Industrial, Inc.®

PANCAKE AND HOT DOG AIR COMPRESSORS

MODEL H4517/H4518

PARTS LIST



COPYRIGHT © AUGUST, 2003 BY GRIZZLY INDUSTRIAL, INC.

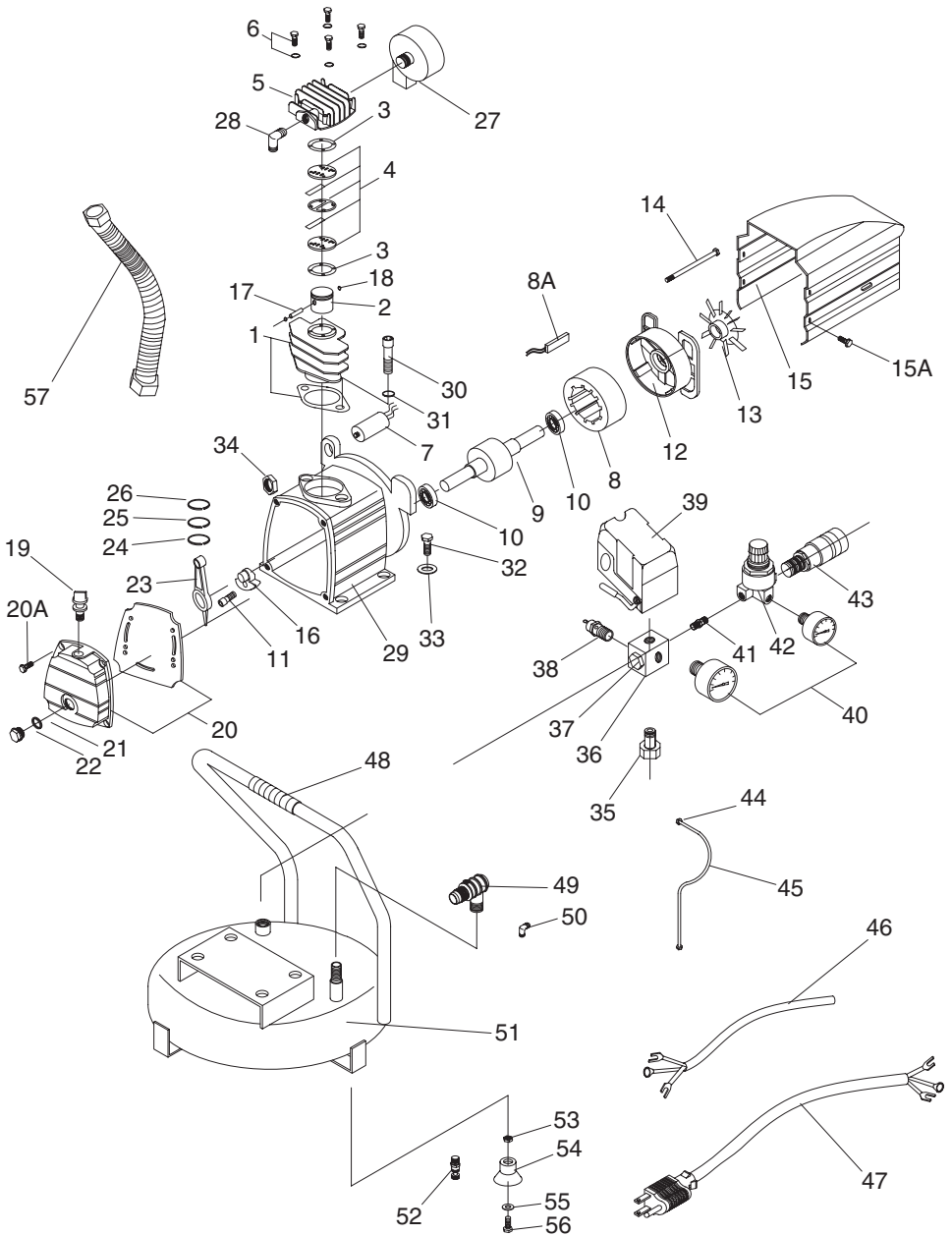
WARNING: NO PORTION OF THIS MANUAL MAY BE REPRODUCED IN ANY SHAPE OR FORM WITHOUT THE WRITTEN APPROVAL OF GRIZZLY INDUSTRIAL, INC.

PRINTED IN CHINA

ONLINE PARTS LIST DISCLAIMER

THESE PARTS REPRESENT THE CONFIGURATION OF THE MACHINE AS IT IS CURRENTLY BEING SHIPPED. THE MACHINE CONFIGURATION CAN CHANGE AS PRODUCT IMPROVEMENTS ARE INCORPORATED. IF YOU OWN AN EARLIER VERSION OF THE MACHINE, THIS PARTS LIST MAY NOT EXACTLY DEPICT YOUR MACHINE. CONTACT CUSTOMER SERVICE IF YOU HAVE ANY QUESTIONS ABOUT PART DIFFERENCES. PREVIOUS PARTS LIST VERSIONS ARE NOT AVAILABLE ONLINE.

Model H4517 Pancake Air Compressor



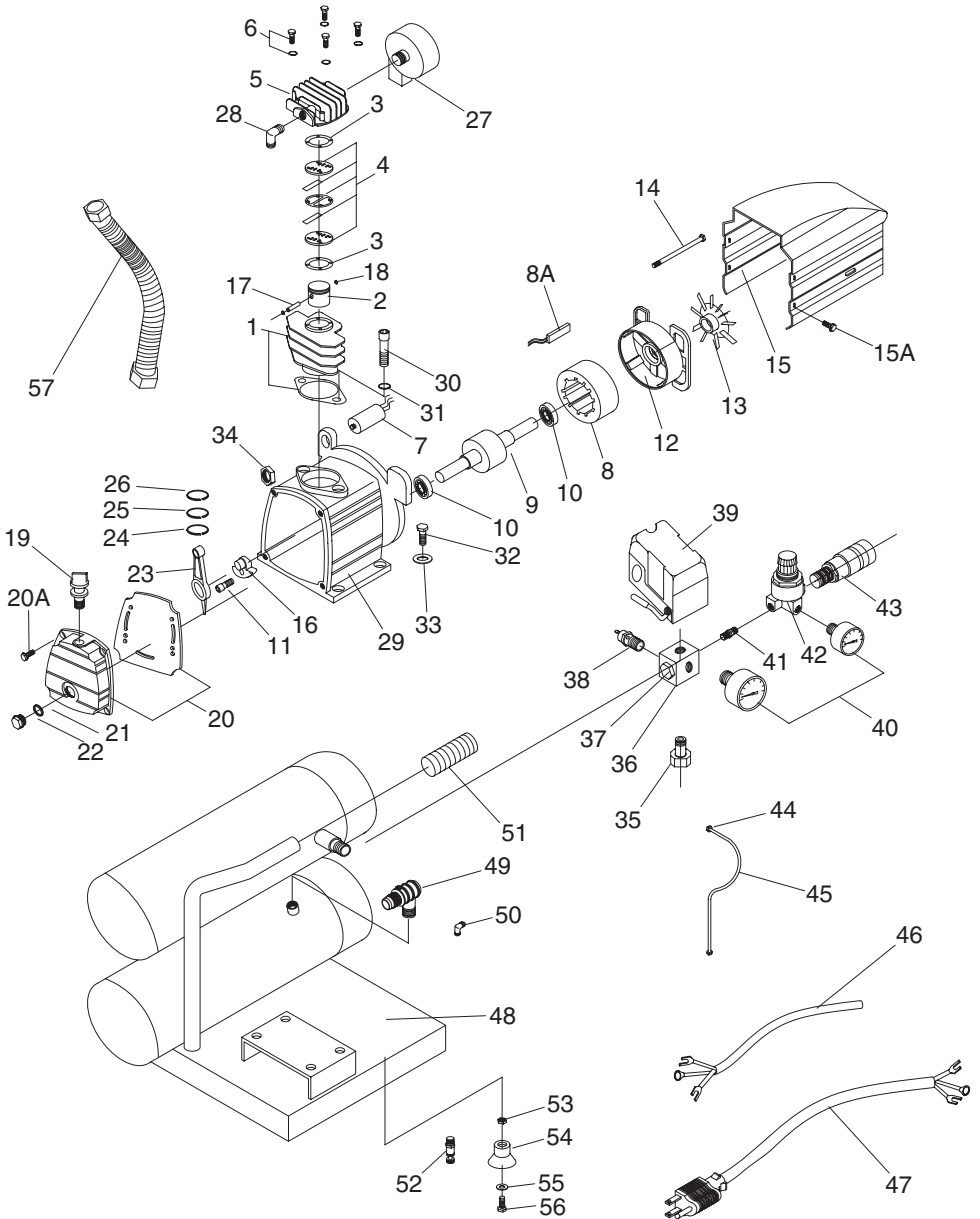
Model H4517

REF	PART #	DESCRIPTION
1	PH4517001	CYLINDER & GASKET
2	PH4517002	PISTON
3	PH4517003	GASKET
4	PH4517004	VALVE ASSEMBLY
5	PH4517005	CYLINDER HEAD
6	PFB07M	FLANGE BOLT M6-1 X 55
7	PC120	CAPACITOR 250VAC, 120MFD
8	PH4517008	STATOR
8A	PH4517008A	OVERLOAD PROTECTOR
9	PH4517009	ROTATOR
10	P6202	BALL BEARING 6202
11	PSB102M	CAP SCREW M8-1.25 X 22LH
12	PH4517012	REAR CAP
13	PH4517013	FAN
14	PB106M	HEX BOLT M5-.8 X 115
15	PH4517015	CONVOY
15A	PBF05M	FLANGE BOLT M5-.8 X 15
16	PH4517016	CRANK SHAFT
17	PH4517017	WRIST PIN
18	PR49M	INT RETAINING RING 12MM
19	PH4517019	BREATHER
20	PH4517020	CRANK CASE COVER
20A	PB91M	HEX BOLT M6-1 X 18
21	PH4517021	SHAFT SEAL
22	PH4517022	OIL SIGHT GLASS
23	PH4517023	CONNECTING ROD
24	PH4517024	PISTON RING SET
25	PH4517025	PISTON RING SET
26	PH4517026	PISTON RING SET
27	PH4517027	FILTER ELEMENT

Model H4517

REF	PART #	DESCRIPTION
28	PH4517028	ELBOW 90° 3/8 NPT X 3/4-16UNF
29	PH4517029	CRANKCASE
30	PSB31M	CAP SCREW M8-1.25 X 25
31	PLW04M	LOCK WASHER 8MM
32	PB20M	HEX BOLT M8-1.25 X 35
33	PW01M	FLAT WASHER 8MM
34	PN03M	HEX NUT M8-1.25
35	PH4517035	CONNECT
36	PH4517036	MANIFOLD
37	PH4517037	THREADED PLUG
38	PH4517038	SAFETY VALVE
39	PH4517039	PRESSURE SWITCH
40	PH4517040	PRESSURE GAUGE
41	PH4517041	NIPPLE
42	PH4517042	REGULATOR
43	H3175	QUICK COUPLER 1/4 NPT
44	PH4517044	UNLOADING SCREW
45	PH4517045	UNLOADING PIPE
46	PH4517046	MOTOR CORD
47	PH4517047	POWER CORD W/PLUG
48	PH4517048	HANDLE
49	PH4517049	CHECK VALVE
50	PH4517050	ELBOW 90° 1/8 X 1/8 NPT
51	PH4517051	TANK
52	PH4517052	DRAIN VALVE 14MM
53	PW01M	FLAT WASHER 8MM
54	PH4517054	RUBBER FOOT
55	PW01M	FLAT WASHER 8MM
56	PB09M	HEX BOLT M8-1.25 X 20
57	PH4517057	EXHAUST PIPE

Model H4518 Hot Dog Air Compressor



Model H4518

REF	PART #	DESCRIPTION
1	PH4517001	CYLINDER
2	PH4517002	PISTON
3	PH4517003	GASKET
4	PH4517004	VALVE ASSEMBLY
5	PH4517005	CYLINDER HEAD
6	PFB07M	FLANGE BOLT M6-1 X 55
7	PC120	CAPACITOR 250VAC, 120MFD
8	PH4517008	STATOR
8A	PH4517008A	OVERLOAD PROTECTOR
9	PH4517009	ROTATOR
10	P6202	BALL BEARING 6202
11	PSB102M	CAP SCREW M8-1.25 X 22LH
12	PH4517012	REAR CAP
13	PH4517013	FAN
14	PB106M	HEX BOLT M5-.8 X 115
15	PH4517015	CONVOY
15A	PBF05M	FLANGE BOLT M5-.8 X 15
16	PH4517016	CRANK SHAFT
17	PH4517017	WRIST PIN
18	PR49M	INT RETAINING RING 12MM
19	PH4517019	BREATHER
20	PH4517020	CRANK CASE COVER
20A	PB91M	HEX BOLT M6-1 X 18
21	PH4517021	SHAFT SEAL
22	PH4517022	OIL SIGHT GLASS
23	PH4517023	CONNECTING ROD
24	PH4517024	PISTON RING SET
25	PH4517025	PISTON RING SET
26	PH4517026	PISTON RING SET
27	PH4517027	FILTER ELEMENT
28	PH4517028	ELBOW 90° 3/8 NPT X 3/4-16UNF

Model H4518

REF	PART #	DESCRIPTION
29	PH4517029	CRANKCASE
30	PSB31M	CAP SCREW M8-1.25 X 25
31	PLW04M	LOCK WASHER 8MM
32	PB20M	HEX BOLT M8-1.25 X 35
33	PW01M	FLAT WASHER 8MM
34	PN03M	HEX NUT M8-1.25
35	PH4517035	CONNECT
36	PH4517036	MANIFOLD
37	PH4517037	THREADED PLUG
38	PH4517038	SAFETY VALVE
39	PH4517039	PRESSURE SWITCH
40	PH4517040	PRESSURE GAUGE
41	PH4517041	NIPPLE
42	PH4517042	REGULATOR
43	H3175	QUICK COUPLER 1/4 NPT
44	PH4517044	UNLOADING SCREW
45	PH4517045	UNLOADING PIPE
46	PH4517046	MOTOR CORD
47	PH4518047	POWER CORD W/PLUG
48	PH4518048	TANK
49	PH4518049	CHECK VALVE
50	PH4517050	ELBOW 90° 1/8 X 1/8 NPT
51	PH4518051	HANDLE
52	PH4518052	DRAIN VALVE 14MM
53	PW01M	FLAT WASHER 8MM
54	PH4518054	RUBBER FOOT
55	PW01M	FLAT WASHER 8MM
56	PB09M	HEX BOLT M8-1.25 X 20
57	PH4518057	EXHAUST PIPE