



18 GAUGE FINISH ANGLE NAILER

MODEL H5570

PARTS LIST



COPYRIGHT © SEPT, 2003 BY GRIZZLY INDUSTRIAL, INC.

WARNING: NO PORTION OF THIS MANUAL MAY BE REPRODUCED IN ANY SHAPE OR FORM WITHOUT THE WRITTEN APPROVAL OF GRIZZLY INDUSTRIAL, INC.

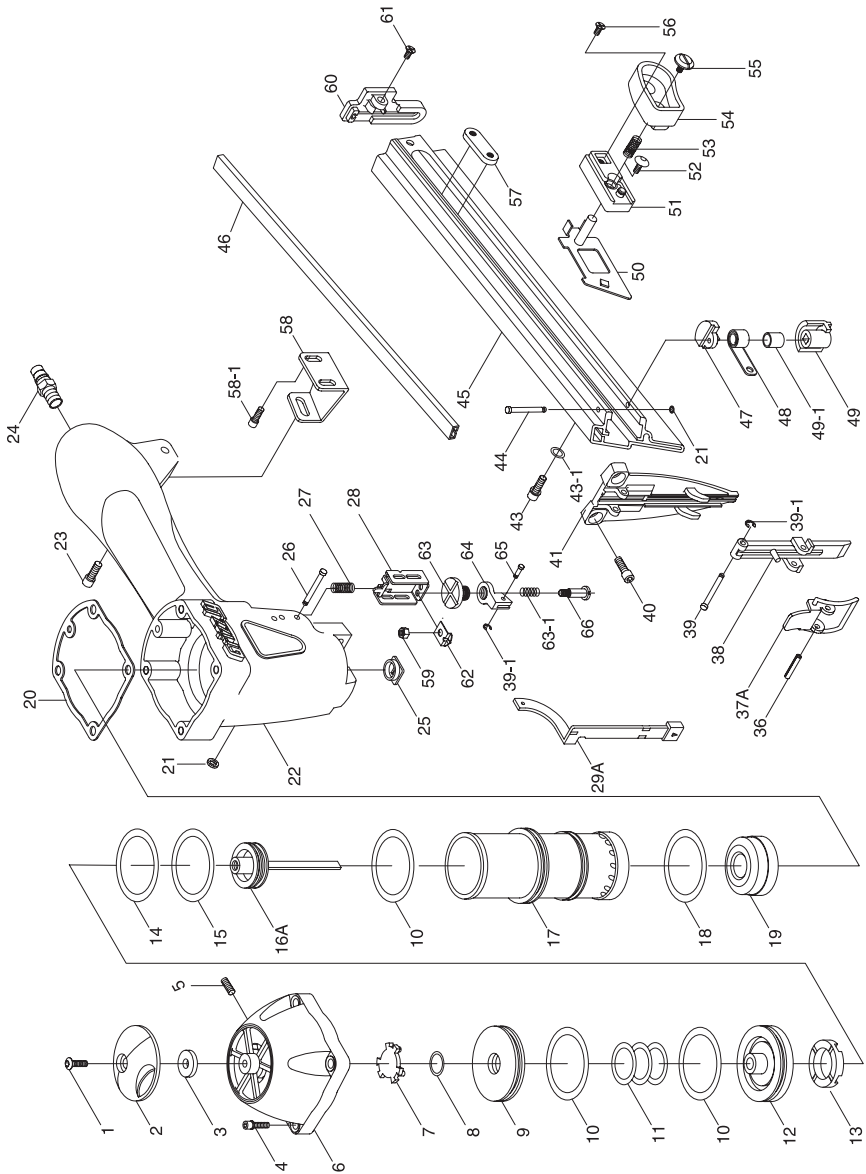
PRINTED IN TAIWAN

ONLINE PARTS LIST DISCLAIMER

THESE PARTS REPRESENT THE CONFIGURATION OF THE MACHINE AS IT IS CURRENTLY BEING SHIPPED. THE MACHINE CONFIGURATION CAN CHANGE AS PRODUCT IMPROVEMENTS ARE INCORPORATED. IF YOU OWN AN EARLIER VERSION OF THE MACHINE, THIS PARTS LIST MAY NOT EXACTLY DEPICT YOUR MACHINE. CONTACT CUSTOMER SERVICE IF YOU HAVE ANY QUESTIONS ABOUT PART DIFFERENCES.

PREVIOUS PARTS LIST VERSIONS ARE NOT AVAILABLE ONLINE.

H5570 PART BREAKDOWN



REF	PART #	DESCRIPTION
01	PSB113M	BTN CAP SCR M5-.8 X 11
02	PH5570002	EXHAUST COVER
03	PH5570003	SEAL
04	PSB15M	CAP SCREW M5-.8 X20
05	PSS08M	SET SCREW M4-.7 X 5
06	PH5570006	CAP
07	PH5570007	PISTON STOPPER
08	PH5570008	O RING
09	PH5570009	COLLAR
10	PH5570010	O RING
11	PH5570011	SPRING
12	PH5570012	PISTON HEAD VALVE
13	PH5570013	STOPPER
14	PH5570014	O RING
15	PH5570015	O RING
16A	PH5570016A	DRIVER ASSEMBLY
17	PH5570017	CYLINDER
18	PH5570018	O RING
19	PH5570019	BUMPER
20	PH5570020	GASKET
21	PH5570021	O RING
22	PH5570022	BODY
23	PSB24M	CAP SCREW M5-.8 X 16
24	PH5570024	1/4" NPT MALE CONNECT
25	PH5570025	DRIVER GUIDE WASHER
26	PH5570026	PIN
27	PH5570027	SPRING
28	PH5570028	GUIDE SAFETY LEVER
29A	PH5570029A	SAFETY LEVER
36	PRP42M	ROLLED PIN M3 X 20
37A	PH5570037A	LATCH
38	PH5570038	DRIVER GUIDE COVER
39	PH5570039	PIN
39-1	PEC01M	E RING 3MM

REF	PART #	DESCRIPTION
40	PSB33M	CAP SCREW M5-.8 X 12
41	PH5570041	DRIVER GUIDE
43	PSB97M	CAP SCREW M5-.8 X 6
43-1	PLW01M	LOCK WASHER 5MM
44	PH5570044	PIN
45	PH5570045	MAGAZINE
46	PH5570046	NAIL GUIDE LINER
47	PH5570047	UPPER COVER
48	PH5570048	SPIRAL SPRING
49	PH5570049	COVER
49-1	PH5570049-1	ROLLER
50	PH5570050	PUSHER
51	PH5570051	FOLLOWER SEAT
52	PH5570052	SPECIAL SCR M4-.7 X 6
53	PH5570053	SPRING
54	PH5570054	FOLLOWER BODY
55	PH5570055	SPECIAL SCR M4-.7 X 6
56	PS09M	PHLP HD SCR M5-.8 X 10
57	PH5570057	SET PLATE
58	PH5570058	BRACKET
58-1	PSB18M	CAP SCREW M4-.7 X 8
59	PLN01M	LOCK NUT M4-.7
60	PH5570060	TAIL COVER
61	PHTEK26M	TAP SCREW M5-.8 X 10
62	PH5570062	POSITIONING PLATE
63	PH5570063	DEPTH ADJUST KNOB
63-1	PH5570063-1	SPRING
64	PH5570064	GUIDE PLATE
65	PH5570065	PIN
66	PH5570066	SET SHAFT
*67	PH5570067	CARRYING CASE
*68	PAW3M	ALLEN WRENCH 3MM
*69	PAW4M	ALLEN WRENCH 4MM

* These items are not shown in the illustration.