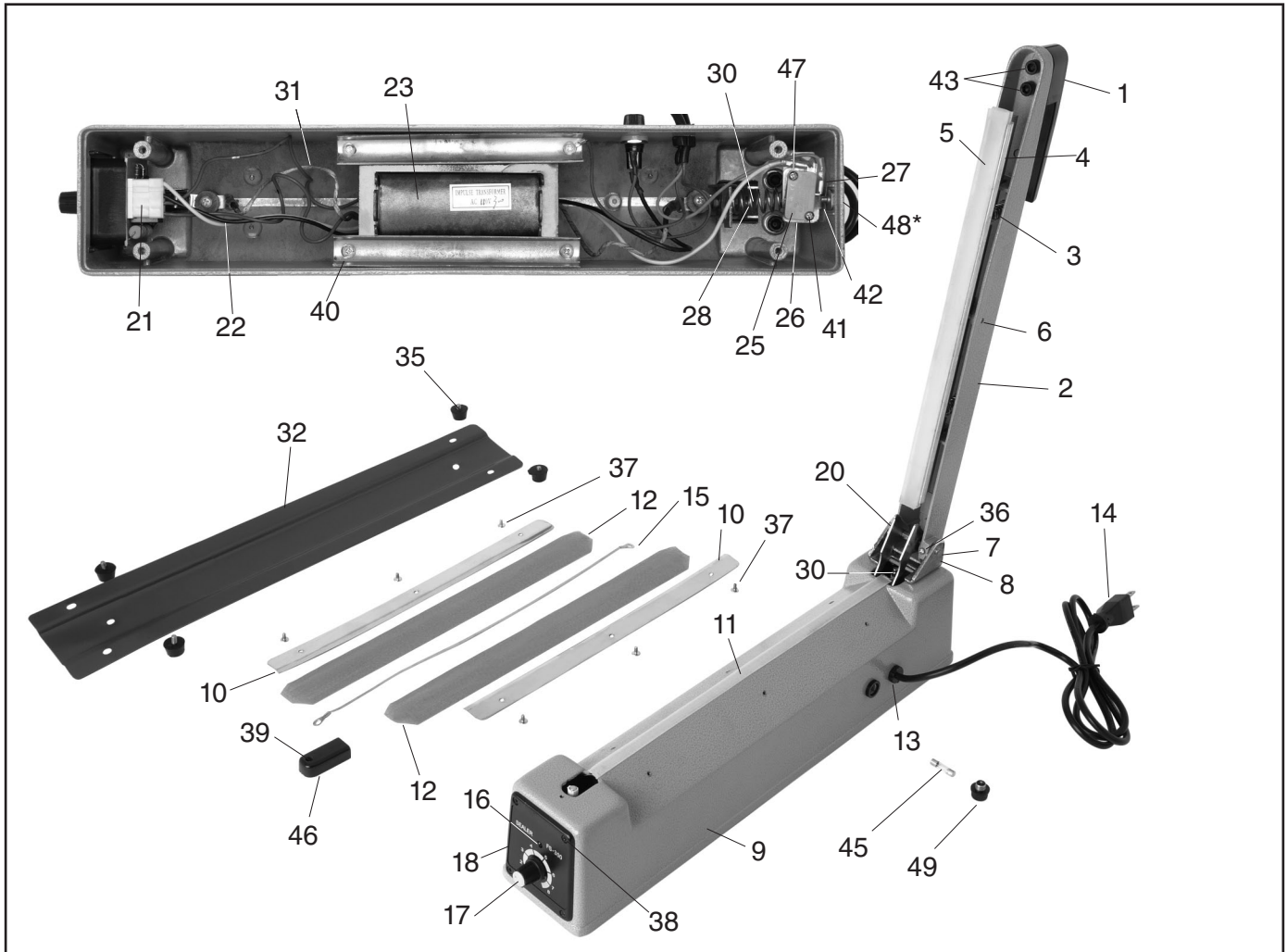


H6153 Parts Breakdown & List



REF	PART #	DESCRIPTION
1	PH6153001	HANDLE KNOB
2	PH6153002	PLATEN ARM
3	PH6153003	PLATEN SPRING
4	PH6153004	PLATEN
5	PH6153005	SILICON RUBBER STRIP
6	PH6153006	SPECIAL PHLP HD SCR M5-.8 X 25
7	PH6153007	HINGE
8	PH6153008	HINGE BRACKET
9	PH6153009	SEALER BASE
10	PH6153010	METAL PLATE
11	PH6153011	LOWER TEFLON ELEMENT
12	PH6153012	UPPER TEFLON CLOTH
13	PH6153013	STRAIN RELIEF
14	PH6153014	POWER CORD
15	PH6153015	HEATING ELEMENT
16	PH6153016	PILOT LAMP
17	PH6153017	TIMER KNOB
18	PH6153018	CONTROL PANEL ASSEMBLY
20	PH6153020	SWITCH LEVER
21	PH6153021	WIRE CONNECTOR
22	PH6153022	INTERNAL WIRING
23	PH6153023	HEATER TRANSFORMER

REF	PART #	DESCRIPTION
25	PH6153025	MICROSWITCH
26	PH6153026	SWITCH BRACKET
27	PH6153027	SWITCH INSULATION
28	PH6153028	SWITCH LEVER SPRING
30	PH6153030	HEATER TERMINAL ASSEMBLY
31	PH6153031	GROUNDING WIRE
32	PH6153032	COVER PLATE
35	PH6153035	RUBBER FOOT AND SCREW
36	PS79M	PHLP HD SCR M3-.5 X 8
37	PS12M	PHLP HD SCR M3-.5 X 6
38	PFH57M	FLAT HD SCR M3-.5 X 8
39	PS55M	PHLP HD SCR M3-.5 X 10
40	PS21M	PHLP HD SCR M4-.7 X 15
41	PS59M	PHLP HD SCR M3-.5 X 14
42	PS07M	PHLP HD SCR M4-.7 X 8
43	PSB04M	CAP SCREW M6-1 X 10
45	PH6153045	FUSE
46	PH6153046	FRONT COVER
47	PLW09M	LOCK WASHER 3MM
48*	PTLW01M	EXT TOOTH WASHER 4MM
49	PH6153049	FUSE COVER

* Part not shown in breakdown

