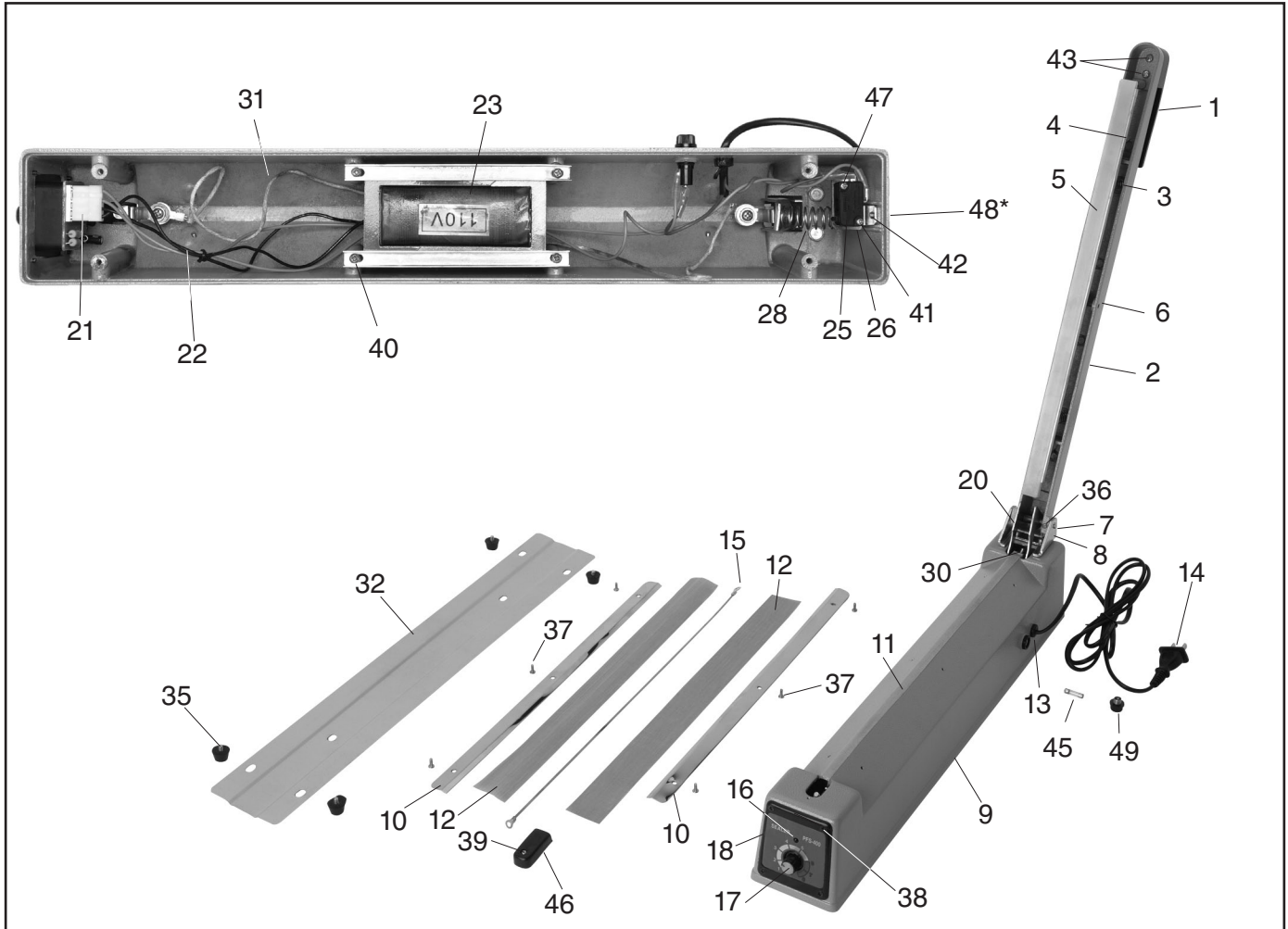


H6154 Parts Breakdown & List



REF	PART #	DESCRIPTION
1	PH6154001	HANDLE KNOB
2	PH6154002	PLATEN ARM
3	PH6154003	PLATEN SPRING
4	PH6154004	PLATEN
5	PH6154005	SILICON RUBBER STRIP
6	PFH45M	FLAT HD SCR M5-.8 X 30
7	PH6154007	HINGE
8	PH6154008	HINGE BRACKET
9	PH6154009	SEALER BASE
10	PH6154010	METAL PLATE
11	PH6154011	LOWER TEFLON ELEMENT
12	PH6154012	UPPER TEFLON CLOTH
13	PH6154013	STRAIN RELIEF
14	PH6154014	POWER CORD
15	PH6154015	HEATING ELEMENT
16	PH6154016	PILOT LAMP
17	PH6154017	TIMER KNOB
18	PH6154018	CONTROL PANEL ASSEMBLY
20	PH6154020	SWITCH LEVER
21	PH6154021	WIRE CONNECTOR
22	PH6154022	INTERNAL WIRING

REF	PART #	DESCRIPTION
23	PH6154023	HEATER TRANSFORMER
25	PH6154025	MICROSWITCH
26	PH6154026	SWITCH BRACKET
28	PH6154028	SWITCH LEVER SPRING
30	PH6154030	HEATER TERMINAL ASSEMBLY
31	PH6154031	GROUNDING WIRE
32	PH6154032	COVER PLATE
35	PH6154035	RUBBER FOOT AND SCREW
36	PS55M	PHLP HD SCR M3-.5 X 10
37	PS79M	PHLP HD SCR M3-.5 X 8
38	PFH57M	FLAT HD SCR M3-.5 X 8
39	PS55M	PHLP HD SCR M3-.5 X 10
40	PS02M	PHLP HD SCR M4-.7 X 12
41	PS50M	PHLP HD SCR M3-.5 X 12
42	PH6154042	PHLP HD SCR M4-.7 X 5
43	PHTEK37M	TAP SCREW M5 X 12
45	PH6154045	FUSE
46	PH6154046	FRONT COVER
47	PLW09M	LOCK WASHER 3MM
48*	PTLW01M	EXT TOOTH WASHER 4MM
49	PH6154049	FUSE COVER

* Part not shown in breakdown

