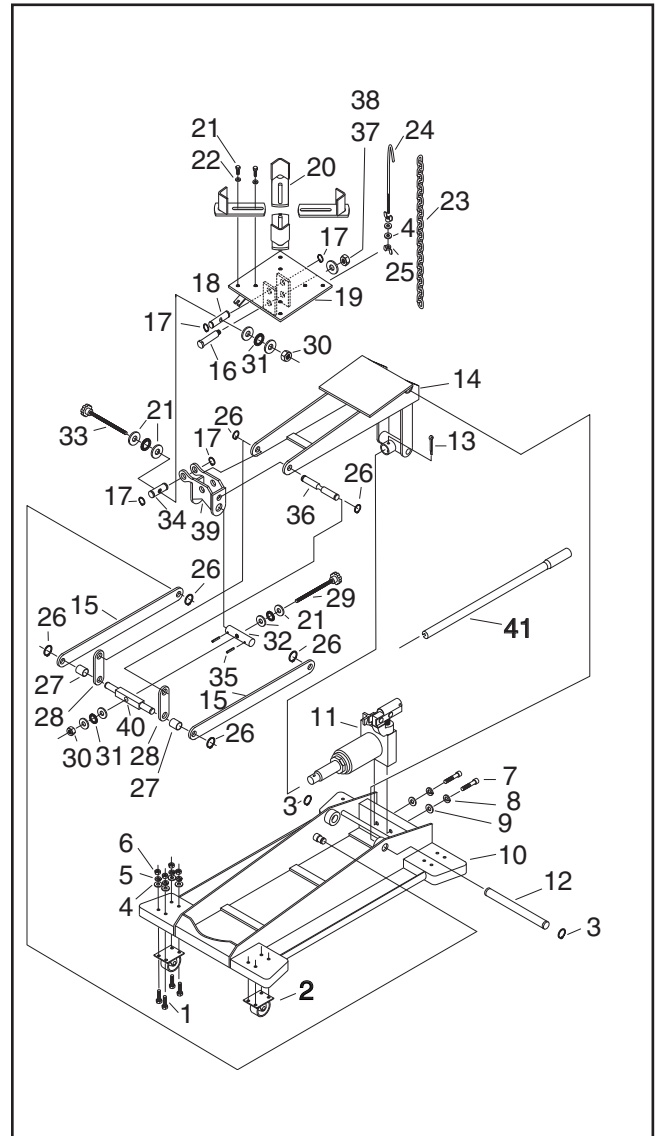


# H6236 Parts Breakdown and List

REF	PART #	DESCRIPTION
1	PB83M	HEX BOLT M6-1 X 16
2	PH6236002	SWIVEL CASTER
3	PR10M	EXT RETAINING RING 22MM
4	PW03M	FLAT WASHER 6MM
5	PLW03M	LOCK WASHER 6MM
6	PN01M	HEX NUT M6-1
7	PB03M	HEX BOLT M8-1 X 16
8	PLW04M	LOCK WASHER 8MM
9	PW01M	FLAT WASHER 8MM
10	PH6236010	BASE ASSEMBLY
11	PH6236011	HYDRAULIC PUMP UNIT
12	PH6236012	SHAFT
13	PH6236013	COTTER PIN 6MM X 45MM
14	PH6236014	LIFT ARM ASSEMBLY
15	PH6236015	CONNECTING ARM LONG
16	PH6236016	SHOULDER SCREW M12-1.5
17	PR07M	EXT RETAINING RING 18MM
18	PH6236018	PIVOT PIN
19	PH6236019	PLATFORM
20	PH6236020	ADJUSTABLE BRACKETS
21	PW04M	FLAT WASHER 10MM
22	PB70M	HEX BOLT M10-1.5 X 16
23	PH6236023	CLOSE CHAIN 4MM X 1M
24	PH6236024	CHAIN TENSIONING HOOK
25	PWN01M	WING NUT M6-1
26	PR06M	EXT RETAINING RING 16MM
27	PH6236027	SPACER
28	PH6236028	CONNECTING ARM SHORT
29	PH6236029	KNOB BOLT M10-1.5 X 230
30	PLN05M	LOCK NUT M10-1.5
31	PH6236031	SPECIAL BEARING
32	PH6236032	PIVOT PIN
33	PH6236033	KNOB BOLT M10-1.5 X 200
34	PH6236034	PIVOT PIN
35	PRP03M	ROLL PIN 5 X 20



REF	PART #	DESCRIPTION
36	PH6236036	PIVOT PIN
37	PW06M	FLAT WASHER 12MM
38	PN31M	HEX NUT M12-1.5
39	PH6236039	PLATFORM TILT BRACKET
40	PH6236040	PIVOT PIN
41	PH6236041	PUMP HANDLE

COPYRIGHT © AUGUST, 2004 BY GRIZZLY INDUSTRIAL, INC.  
**WARNING: NO PORTION OF THIS MANUAL MAY BE REPRODUCED IN ANY SHAPE OR FORM WITHOUT THE WRITTEN APPROVAL OF GRIZZLY INDUSTRIAL, INC.**  
 #PC6460 PRINTED IN CHINA