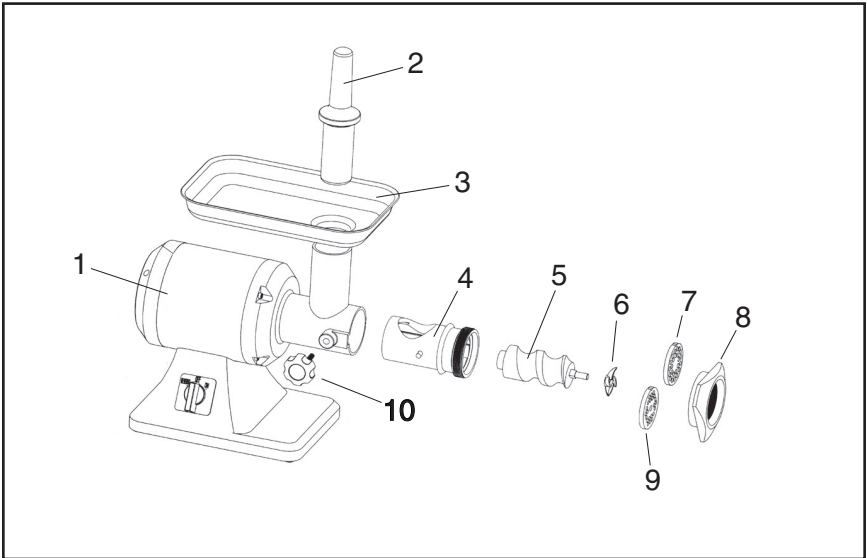


## Parts Breakdown



REF	PART #	DESCRIPTION
1	PH6247001	GRINDER MOTOR HOUSING
2	PH6247002	MEAT PUSHER
3	PH6242003	HOPPER
4	PH6247004	BARREL
5	PH6247005	FEED SCREW
6	PH6247006	CUTTING BLADE
7	PH6247007	CUTTING PLATE FINE
8	PH6247008	LOCKING RING
9	PH6247009	CUTTING PLATE COURSE
10	PH6247010	LOCKING KNOB M8-1.25 X 48