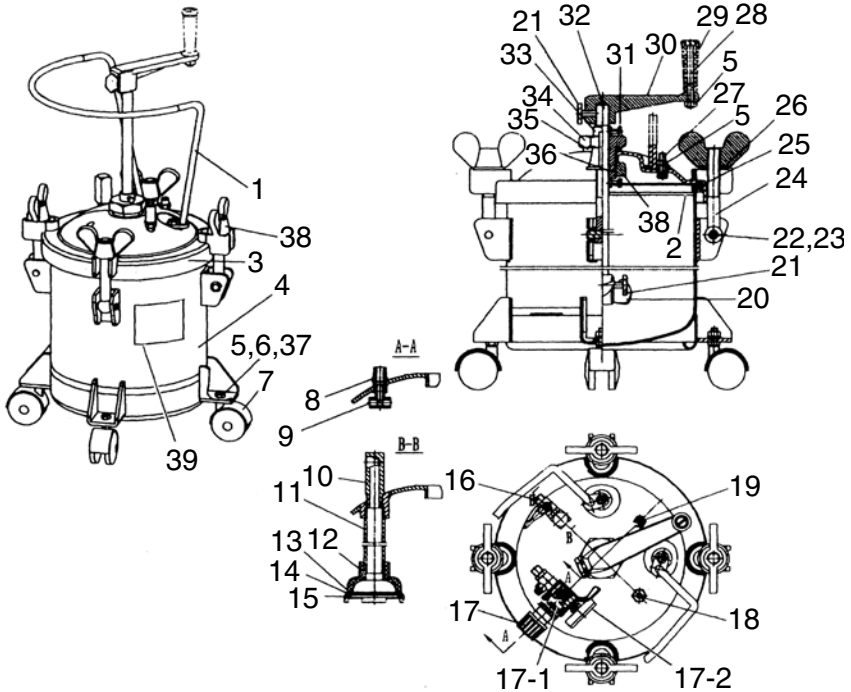


H6329 PAINT TANK



REF	PART #	DESCRIPTION
1	PH6329001	HANDLE
2	PH6329002	LID GASKET
3	PH6329003	COMPLETE LID ASSEMBLY
4	PH6329004	TANK
5	PN03M	HEX NUT M8-1.25
6	PLW04M	LOCK WASHER 8MM
7	PH6329007	SWIVEL CASTER
8	PH6329008	AIR INLET CONNECTION
9	PH6329009	AIR DEFLECTOR
10	PH6329010	FLUID OUTLET BODY
11	PH6329011	STAND PIPE
12	PH6329012	FILTER BODY
13	PH6329013	FILTER WASHER
14	PH6329014	FILTER SCREEN
15	PH6329015	SCREEN RETAINER
16	PH6329016	PAINT OUTLET VALVE
17	PH6329017	AIR REGULATOR
17-1	PH6329017-1	AIR REGULATOR HOUSING
17-2	PH6329017-2	PRESSURE GAUGE 180PSI
18	PH6329018	PRESSURE RELIEF VALVE
19	PH6329019	AIR VENT VALVE

REF	PART #	DESCRIPTION
20	PH6329020	MIXING PROPELLER
21	PB06M	HEX BOLT M8-1.25 X 12
22	PH6329022	PIN
23	PH6329023	E-CLIP 8.5MM
24	PH6329024	LOCK STUD
25	PH6329025	SEALING WASHER
26	PW14	FLAT WASHER 5/8
27	PB07M	HEX BOLT M8-1.25 X 25
28	PH6329028	SHOULDERED BOLT
29	PH6329029	CRANK HANDLE
30	PH6329030	COMPLETE CRANK ASSEMBLY
31	PB02M	HEX BOLT M6-1 X 12
32	PH6329032	PROPELLER SHAFT
33	PH6329033	COLLAR
34	PH6329034	SEALING WASHER
35	PORP016	O-RING 15.8 X 2.4 P16
36	PH6329036	SHAFT HOUSING
37	PW01M	FLAT WASHER 8MM
38	PH6329038	WING NUT
39	PH6329039	MACHINE ID LABEL