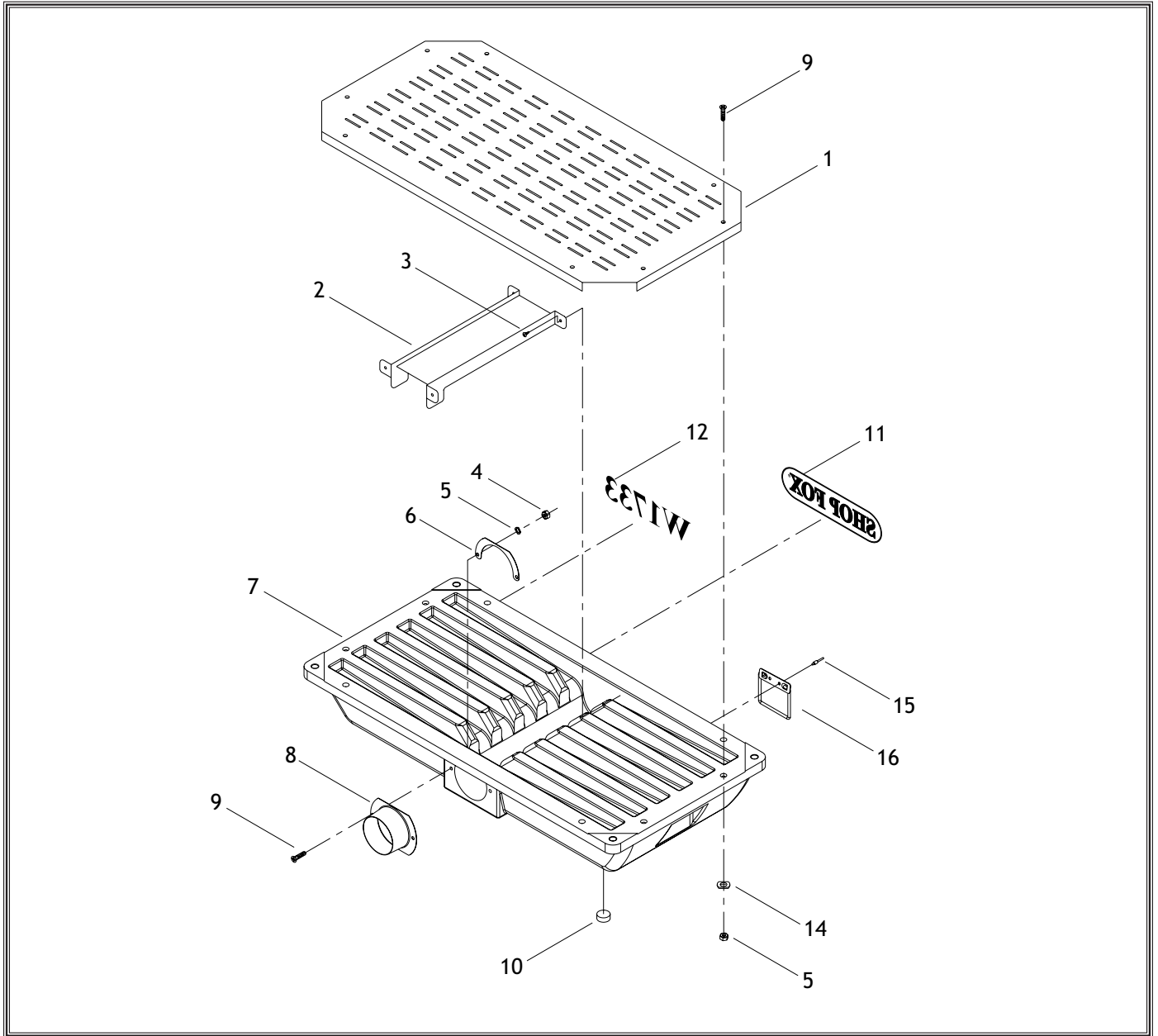


W1733 PARTS BREAKDOWN



REF	PART#	DESCRIPTION
1	X1733001	TABLETOP
2	X1733002	DUST CHUTE
3	XPHTEK5M	TAP SCREW M4.2 x 12
4	XPN05	HEX NUT 1/4-20
5	XPLW02	LOCK WASHER 1/4
6	X1733006	REINFORCEMENT PLATE
7	X1733007	BASE
8	X1733008	DUST PORT 4"

REF	PART#	DESCRIPTION
9	XPFH12	FLAT HD SCR 1/4-20 X 1
10	X1733010	FOOT PAD
11	X1733011	LABEL, SHOP FOX LOGO
12	X1733012	LABEL, MODEL NUMBER
14	XPW06	FLAT WASHER 1/4"
15	X1733015	BLIND RIVET
16	X1733016	HANDLE