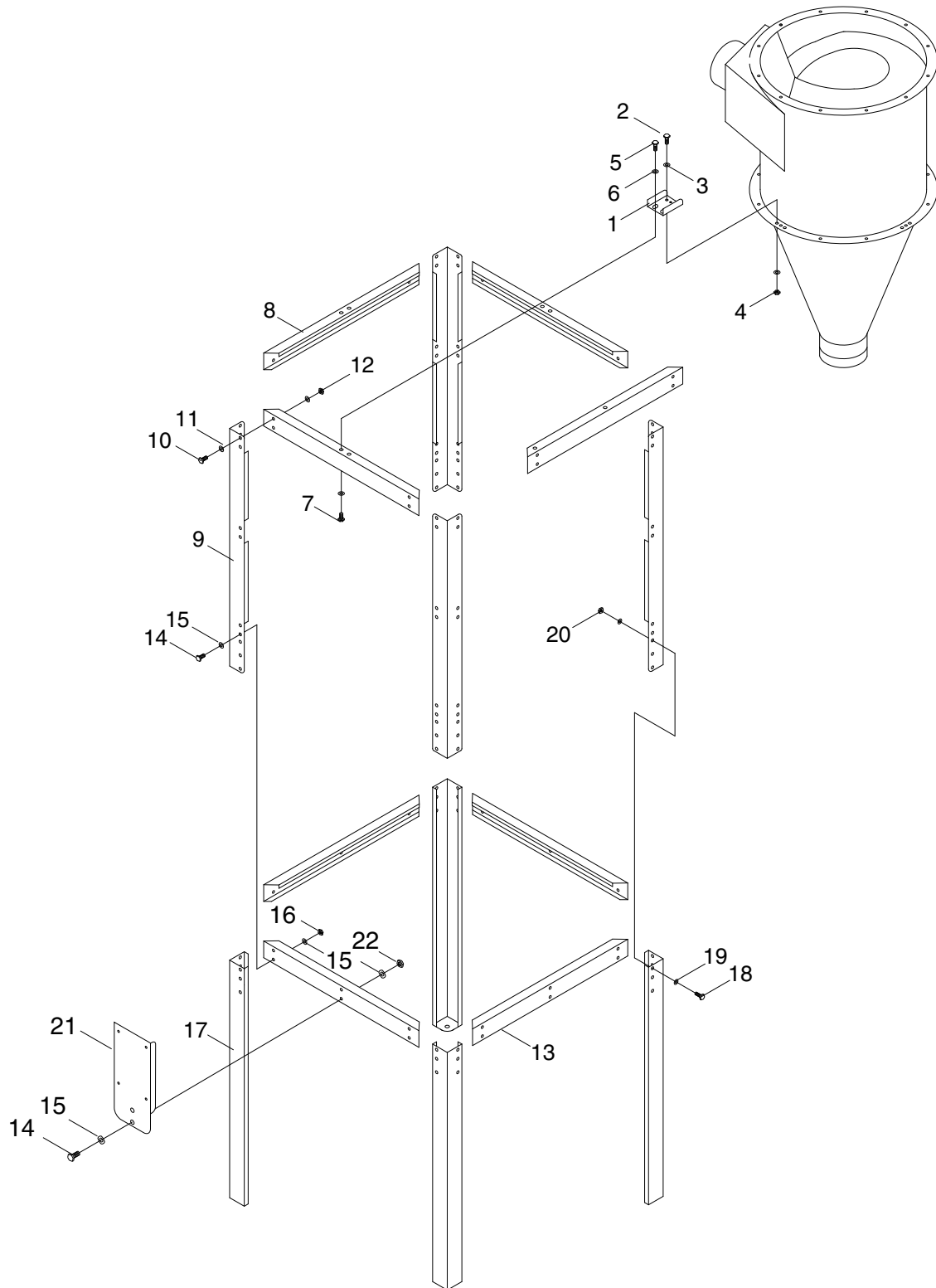


H7509 Parts Breakdown



H7509 Parts List

REF	PART #	DESCRIPTION
1	PH7509001	MOUNTING BRACKET
2	PB03	HEX BOLT 5/16-18 X 1
3	PW07	WASHER 5/16
4	PLN03	LOCK NUT 5/16-18
5	PB21	HEX BOLT 3/8-16 X 3/4
6	PW02	WASHER 3/8
7	PLN01	LOCK NUT 3/8-16
8	PH7509008	UPPER STAND BRACE
9	PH7509009	UPPER STAND LEG
10	PB21	HEX BOLT 3/8-16 X 3/4
11	PW02	WASHER 3/8
12	PLN01	LOCK NUT 3/8-16
13	PH7509013	LOWER STAND BRACE
14	PB21	HEX BOLT 3/8-16 X 3/4
15	PW02	WASHER 3/8
16	PLN01	LOCK NUT 3/8-16
17	PH7509017	LOWER STAND LEG
18	PB21	HEX BOLT 3/8-16 X 3/4
19	PW02	WASHER 3/8
20	PLN01	LOCK NUT 3/8-16
21	PH7509021	STAND SWITCH BRACKET
22	PN08	HEX NUT 3/8-16