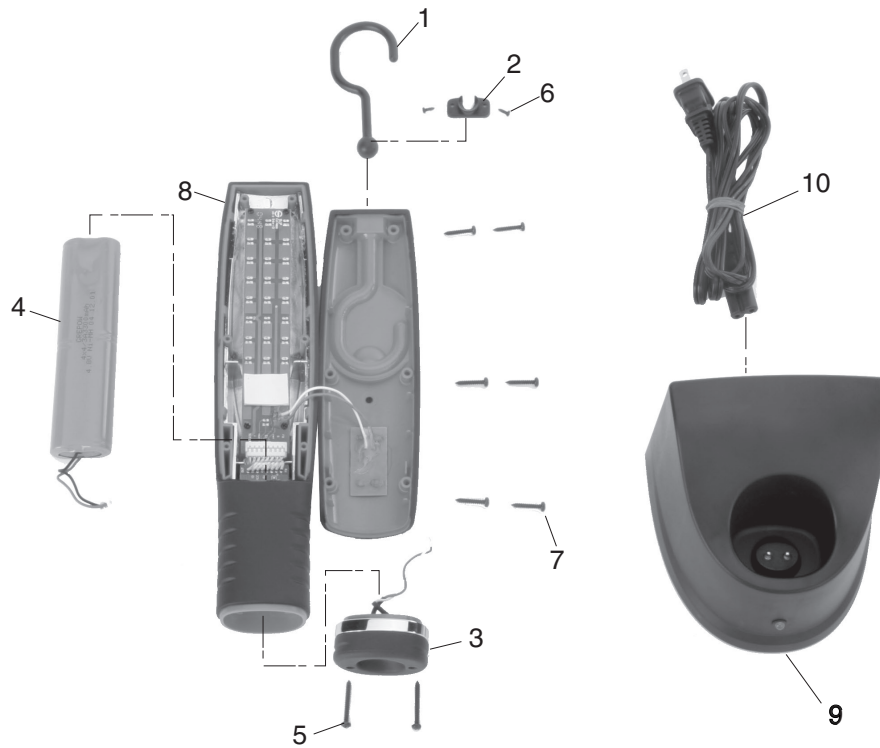


# H7517 Parts Breakdown and List



REF	PART #	DESCRIPTION
1	PH7517001	HOOK
2	PH7517002	HOOK BRACKET
3	PH7517003	END CAP
4	PH7517004	BATTERY 4.8V 3300MA/H-NI-H
5	PH7517005	TAP SCREW M3 X 25
6	PH7517006	TAP SCREW M2 X 6
7	PHTEK9M	TAP SCREW M3 X 15
8	PH7517008	WORK LIGHT
9	PH7517009	CHARGER
10	PH7517010	CORD

COPYRIGHT © FEBRUARY, 2005 BY GRIZZLY INDUSTRIAL, INC.  
**WARNING: NO PORTION OF THIS MANUAL MAY BE REPRODUCED IN ANY SHAPE  
OR FORM WITHOUT THE WRITTEN APPROVAL OF GRIZZLY INDUSTRIAL, INC.**  
#BL6956 PRINTED IN CHINA