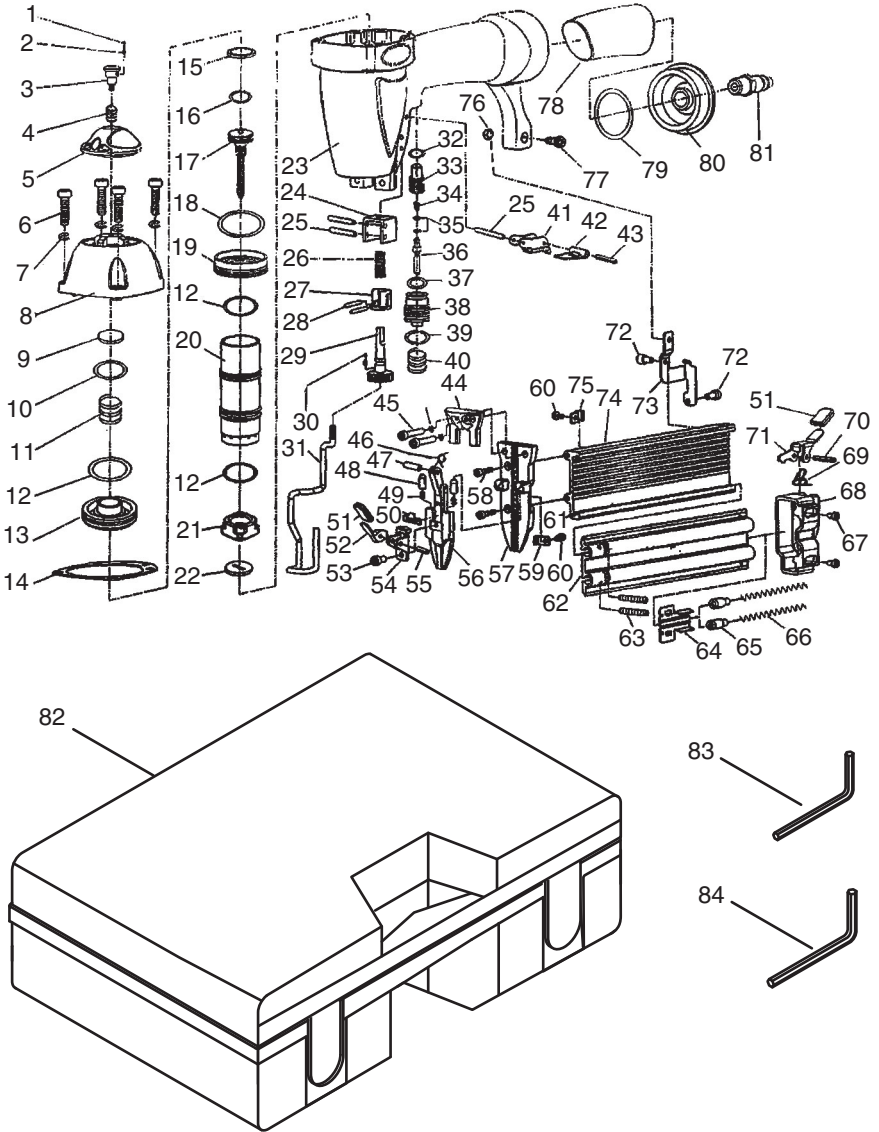


H7679 PARTS BREAKDOWN



H7679 PARTS LIST

REF	PART #	DESCRIPTION
1	PH7679001	BALL (DW=2.5)
2	PH7679002	COMPRESSED SPRING A
3	PH7679003	SPECIAL BOLT
4	PH7679004	COMPRESSED SPRING
5	PH7679005	AIR DEFLECTOR
6	PSB15M	CAP SCREW M5-.8 X 20
7	PLW01M	LOCK WASHER 5MM
8	PH7679008	CYLINDER COVER
9	PH7679009	SEALING WASHER
10	PH7679010	O-RING 17 X 2.65
11	PH7679011	COMPRESSED SPRING
12	PH7679012	O-RING 33.6 X 2
13	PH7679013	SWITCH VALVE
14	PH7679014	GASKET
15	PH7679015	SEALING WASHER
16	PH7679016	O-RING 23.5 X 2
17	PH7679017	MAIN PISTON
18	PH7679018	O-RING 48.7 X 2.65
19	PH7679019	COLLAR
20	PH7679020	CYLINDER
21	PH7679021	BUMPER
22	PH7679022	SEALING WASHER
23	PH7679023	GUN BODY
24	PH7679024	STAND
25	PRP55M	ROLL PIN 3 X 27
26	PH7679026	COMPRESSED SPRING
27	PH7679027	ADJUSTABLE STAND
28	PH7679028	PIN 1.5 X 8
29	PH7679029	ADJUSTMENT NUT
30	PH7679030	COMPRESSED SPRING B
31	PH7679031	SAFETY NOZZLE
32	PH7679032	O-RING 7 X 1.5
33	PH7679033	VALVE COVER
34	PH7679034	SCREW SPRING
35	PH7679035	O-RING 1.9 X 1.1
36	PH7679036	SWITCH LEVER
37	PH7679037	O-RING 11.2 X 1.6
38	PH7679038	TRIGGER VALVE SEAT
39	PH7679039	O-RING 13.2 X 1.9
40	PH7679040	COMPRESSED SPRING
41	PH7679041	TRIGGER
42	PH7679042	SAFETY SPACER
43	PRP64M	ROLL PIN 3 X 18

REF	PART #	DESCRIPTION
44	PH7679044	SEAL COVER
45	PSB38M	CAP SCREW M5-.8 X 25
46	PH7679046	TORSION SPRING
47	PH7679047	PIN C4 X 12
48	PH7679048	LOCK PIN
49	PH7679049	COMPRESSED SPRING
50	PH7679050	SLIP BLOCK
51	PH7679051	SAFETY COVER
52	PH7679052	PULL HANDLE
53	PSB110M	CAP SCREW M4-.7 X 6
54	PH7679054	GUIDE COVER
55	PRP61M	ROLL PIN 3 X 12
56	PH7679056	FUNCTION COVER
57	PH7679057	PLATE HEAD
58	PSB16M	CAP SCREW M4-.7 X 16
59	PH7679059	GUIDE BLOCK B
60	PSB57M	CAP SCREW M3-.5 X 6
61	PH7679061	CARBON STRIP
62	PH7679062	MOVABLE MAGAZINE
63	PSS23M	SET SCREW M4-.7 X 10
64	PH7679064	PUSHER
65	PH7679065	PUSHER PIPE
66	PH7679066	PUSHER SPRING
67	PSB56M	CAP SCREW M3-.5 X 10
68	PH7679068	FIXED SEAT
69	PH7679069	COMPRESSED SPRING
70	PRP42M	ROLL PIN 3 X 20
71	PH7679071	FIXED LEVER
72	PSB18M	CAP SCREW M4-.7 X 8
73	PH7679073	SUPPORT SEAT
74	PH7679074	FIXED MAGAZINE
75	PH7679075	GUIDE BLOCK A
76	PLN01M	LOCK NUT M4-.7
77	PSB41M	CAP SCREW M4-.7 X 14
78	PH7679078	RUBBER HANDLE CASE
79	PH7679079	O-RING 40 X 2.65
80	PH7679080	END CAP
81	PH7679081	AIR INLET PLUG 1/4" NPT
82	PH7679082	CARRYING CASE
83	PAW03M	HEX WRENCH 3MM
84	PAW04M	HEX WRENCH 4MM
85	PH7679085	PISTON REPAIR KIT*

* ITEM NOT SHOWN IN BREAKDOWN