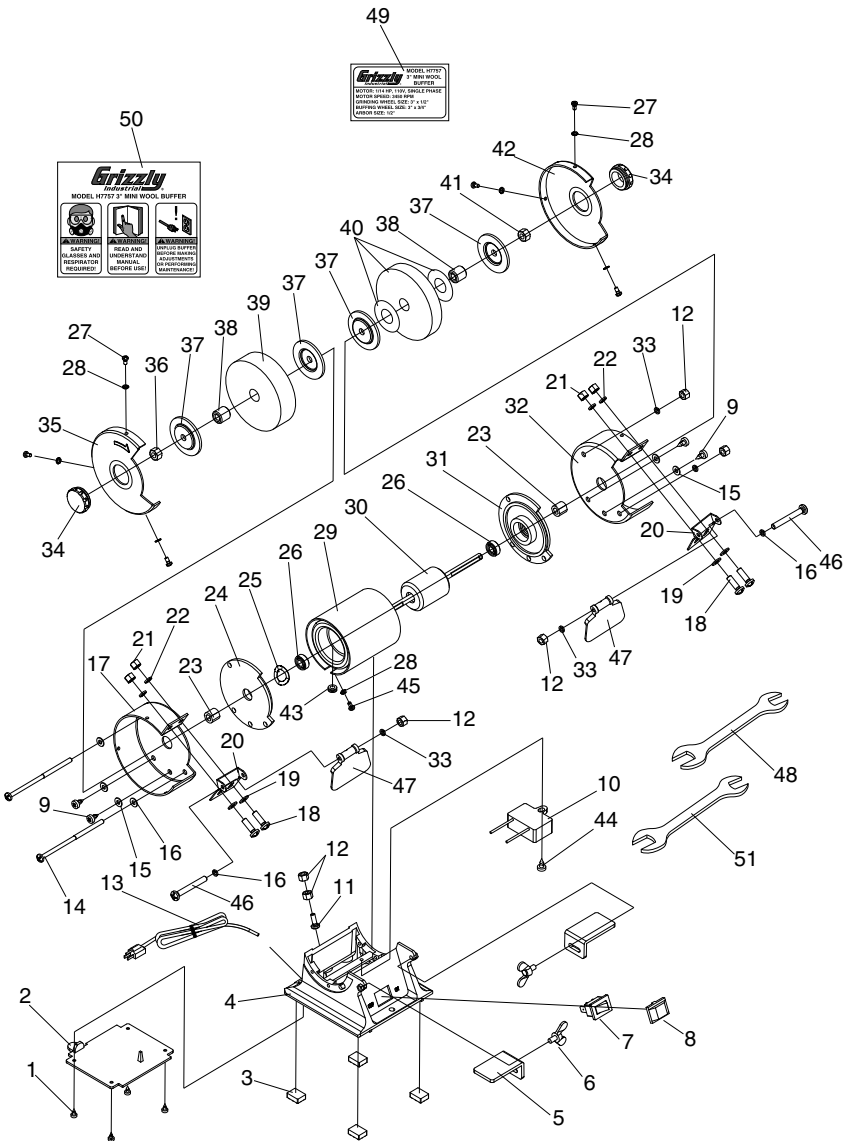


# Parts Breakdown



# Parts List

REF	PART #	DESCRIPTION
1	PS49M	PHLP HD SCR M3-.5 X 5
2	PH7757002	BASE PLATE
3	PH7757003	RUBBER FOOT
4	PH7757004	BASE
5	PH7757005	MOVEABLE TOOL REST
6	PH7757006	WING BOLT M4-.7 X 10
7	PH7757007	ROCKER SWITCH
8	PH7757008	SWITCH COVER
9	PS02M	PHLP HD SCR M4-.7 X 12
10	PH7757010	CAPACITOR 3MFD 250VAC
11	PS21M	PHLP HD SCR M4-.7 X 15
12	PN04M	HEX NUT M4-.7
13	PH7757013	CORD & PLUG
14	PH7757014	PHLP HD SCR M4-.7 X 86
15	PW05M	FLAT WASHER 4MM
16	PW05M	FLAT WASHER 4MM
17	PH7757017	LEFT SAFE GUARD PLATE
18	PS08M	PHLP HD SCR M5-.8 X 12
19	PW02M	FLAT WASHER 5MM
20	PH7757020	EYE SHIELD BRACKET
21	PN06M	HEX NUT M5-.8
22	PLW01M	LOCK WASHER 5MM
23	PH7757023	ARBOR BUSHING
24	PH7757024	LEFT END CAP
25	PH7757025	SPECIAL WAVE WASHER 19MM
26	PH7757026	BEARING 626Z
27	PS49M	PHLP HD SCR M3-.5 X 5
28	PTLW13M	EXT TOOTH WASHER 3MM
29	PH7757029	STATOR
30	PH7757030	ROTOR
31	PH7757031	RIGHT END CAP
32	PH7757032	RIGHT SAFE GUARD PLATE
33	PLW02M	LOCK WASHER 4MM
34	PH7757034	SEAL RING
35	PH7757035	LEFT SAFE GUARD COVER
36	PN37M	HEX NUT M5-.8 LH
37	PH7757037	FLANGE
38	PH7757038	SHAFT SLEEVE
39	H8871	BUFFING WHEEL 3" X 3/4"
40	H8870	GRINDING WHEEL 3" X 1/2"
41	PN06M	HEX NUT M5-.8
42	PH7757042	RIGHT SAFE GUARD COVER
43	PH7757043	CORD BUSHING
44	PS38M	PHLP HD SCR M4-.7 X 10
45	PS49M	PHLP HD SCR M3-.5 X 5
46	PS65M	PHLP HD SCR M4-.7 X 40
47	PH7757047	EYE SHIELD
48	PH7757048	WRENCH 7 X 10
49	PH7757049	MACHINE ID LABEL
50	PH7757050	MACHINE WARNING LABEL
51	PWR810	WRENCH 8 X 10