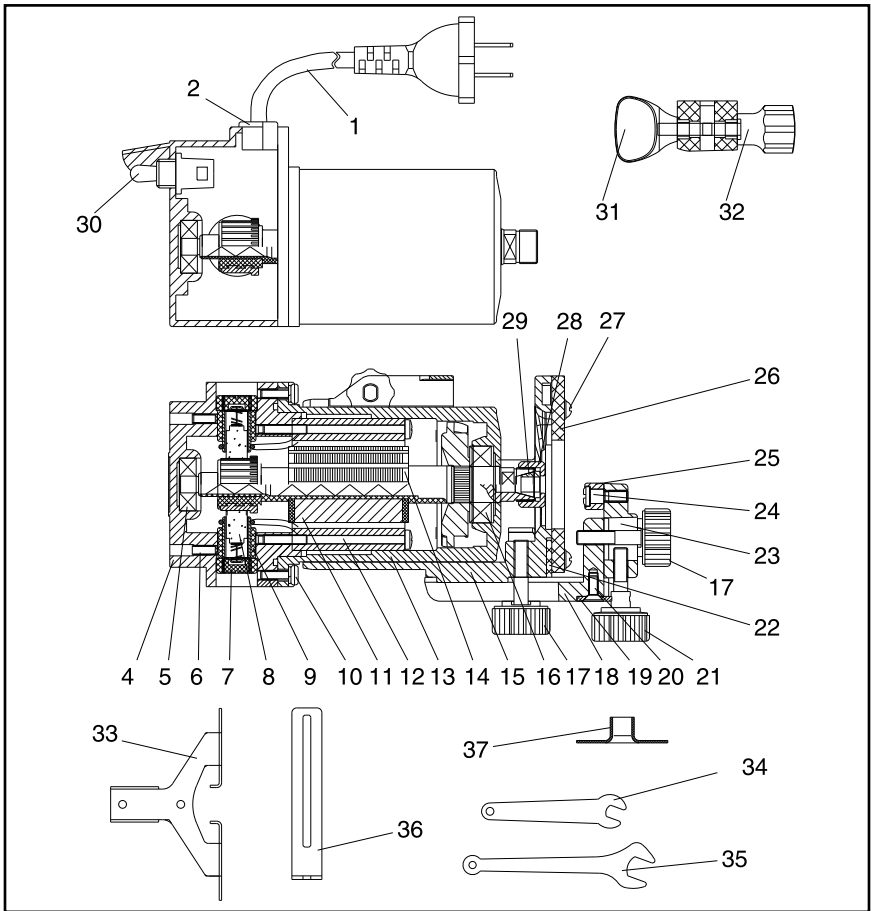


H7790 Parts



REF PART #	DESCRIPTION
1	PWRCRD110L POWER CORD 110V, W/PLUG
2	PH7790002 STRAIN RELIEF
4	PH7790004 BACK COVER
5	P627 BALL BEARING 627ZZ
6	PSS23M SET SCREW M4-.7 X 10
7	PH7790007 BRUSH COVER
8	PH7790008 CARBON BRUSH
9	PH7790009 BRUSH TUBE
10	PS02M PHL P HD SCR M4-.7 X 12
11	PH7790011 STATOR
12	PS85M PHL P HD SCR M4-.7 X 60
13	PH7790013 SHELL
14	PH7790014 ROTOR
15	PH7790015 OUTSIDE COVER
16	P6200 BALL BEARING 6200ZZ
17	PH7790017 LOCK KNOB M6-1 X 25
18	PH7790018 TRIM GUIDE BRACKET
19	PH7790019 KNOB RETAINER

REF PART #	DESCRIPTION
20	PFH19M FLAT HD SCR M4-.7 X 10
21	PH7790021 ADJUSTING KNOB M6-1 X 20
22	PH7790022 BLOCK
23	PH7790023 TRIM GUIDE PLATE
24	PH7790024 SHOULDER SCREW M5-.8 X 11
25	PH7790025 BUSHING
26	PH7790026 BASE PLATE
27	PHTEK15M TAP SCREW M4 X 10
28	PH7790028 COLLET NUT
29	PH7790029 COLLET
30	PH7790030 SWITCH
31	PH7790031 CLASPING KNOB
32	PH7790032 GEAR GUIDING KNOB
33	PH7790033 STRAIGHT GUIDE
34	PH7790034 WRENCH 10MM
35	PH7790035 WRENCH 17MM
36	PH7790036 GUIDE ADJ BRACKET
37	PH7790037 TEMPLATE GUIDE