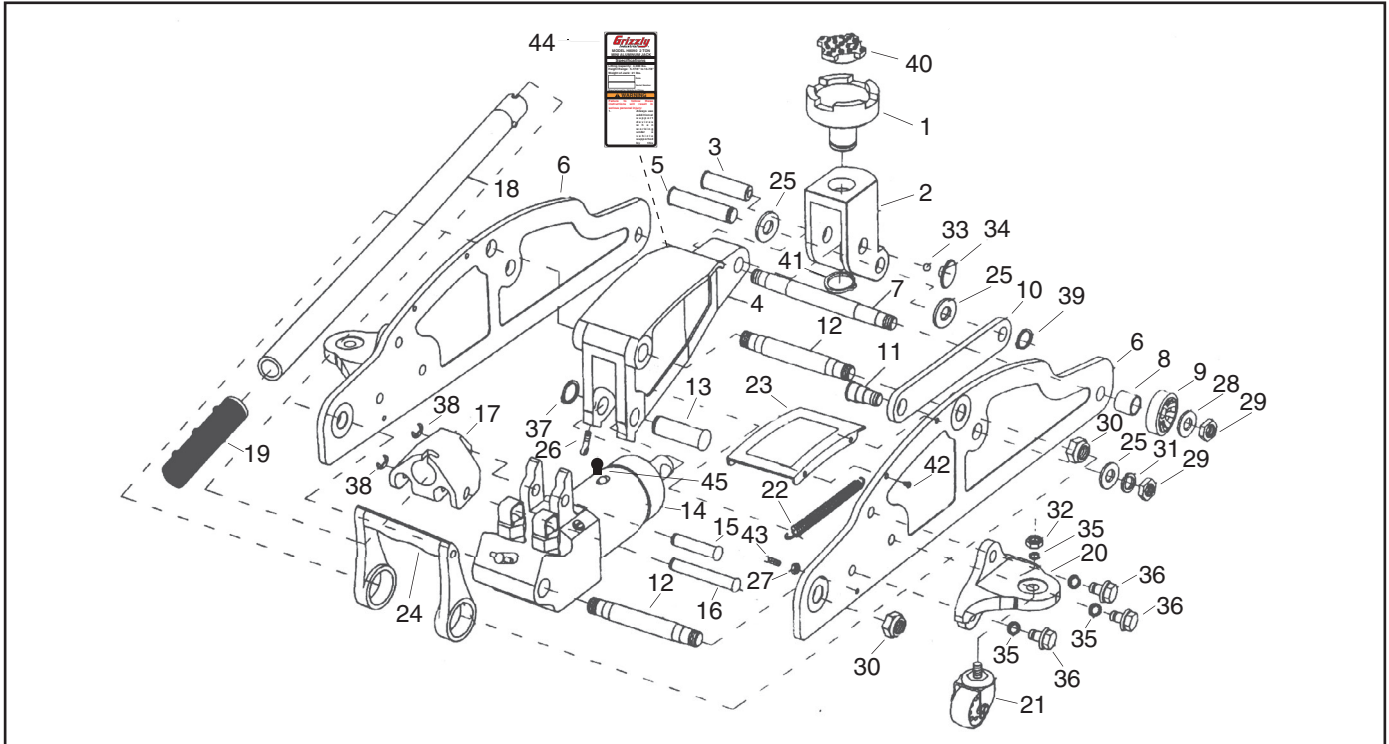


H8090 Main Parts Breakdown



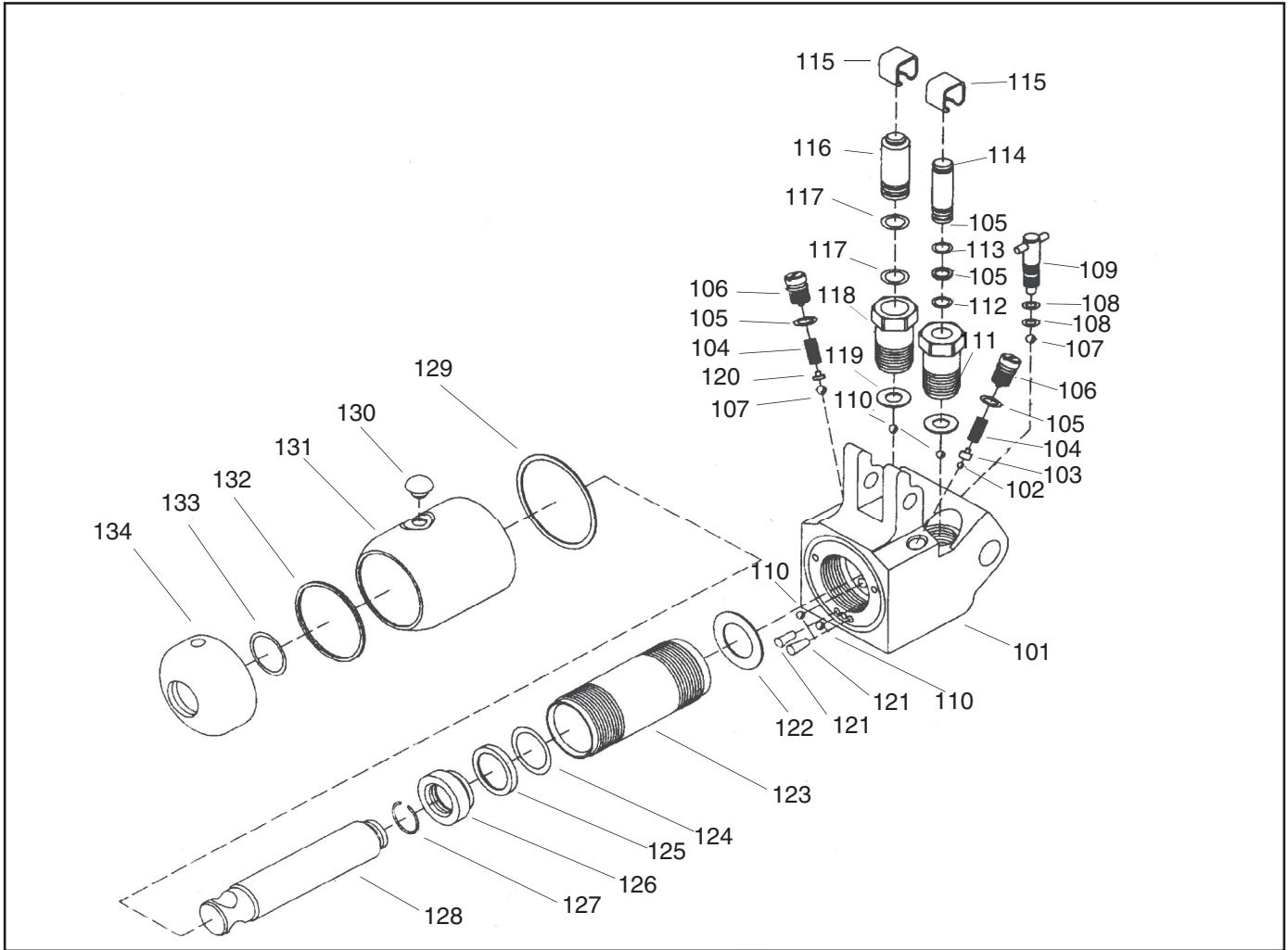
REF	PART #	DESCRIPTION
1	PH8090001	SADDLE
2	PH8090002	SADDLE BASE
3	PH8090003	SADDLE BASE AXIS
4	PH8090004	LIFT ARM
5	PH8090005	CONNECTION ROD AXIS
6	PH8090006	SIDE FRAME
7	PH8090007	FRONT WHEEL AXIS
8	PH8090008	FRONT WHEEL SLEEVE
9	PH8090009	FRONT WHEEL
10	PH8090010	LINK ROD
11	PH8090011	CONNECTION BOLT
12	PH8090012	RAISE ARM AXIS
13	PH8090013	PULL ROD AXIS
14	PH8090014	CYLINDER ASSEMBLY
15	PH8090015	CYLINDER AXIS
16	PH8090016	CONNECTION AXIS
17	PH8090017	HANDLE BASE
18	PH8090018	HANDLE
19	PH8090019	HANDLE SLEEVE
20	PH8090020	REAR CASTER BRACKET
21	PH8090021	REAR CASTER
22	PH8090022	SPRING
23	PH8090023	CAP PLATE

REF	PART #	DESCRIPTION
24	PH8090024	HANDLE BAR
25	PW10M	FLAT WASHER 14MM
26	PB42M	HEX BOLT M5-.8 X 20
27	PN06M	HEX NUT M5-.8
28	PW06M	FLAT WASHER 12MM
29	PN09M	HEX NUT M12-1.75
30	PH8090030	LOCK NUT M14-2
31	PLW05M	LOCK WASHER 12MM
32	PN02M	HEX NUT M10-1.5
33	PH8090033	STEEL BALL
34	PH8090034	RIVET
35	PH8090035	INT TOOTH WASHER 10MM
36	PH8090036	FLANGE BOLT M10-1.5 X 16
37	PR06M	EXT RETAINING RING 16MM
38	PR45M	INT RETAINING RING 10MM
39	PR02M	EXT RETAINING RING 14MM
40	PH8090040	RUBBER PAD
41	PR10M	EXT RETAINING RING 22MM
42	PB42M	HEX BOLT M5-.8 X 20
43	PB107M	HEX BOLT M5-.8 X 12
44	PH8090044	MACHINE LABEL
45	PH80900455	OIL FILL PLUG

⚠️ WARNING

The machine label warns about hazards and ways to prevent injury. The owner of the jack **MUST** maintain the original location and readability of the label. If the label is removed or becomes unreadable, contact Grizzly at (800) 523-4777 or www.grizzly.com to order a new label.

H8090 Hydraulic Pump Parts Breakdown



REF PART #	DESCRIPTION
101	PH8090101 BASE
102	PH8090102 STEEL BALL
103	PH8090103 THICK BALL HEAD
104	PH8090104 ADJUSTABLE COMPRESSOR SPRING
105	PH8090105 O-RING
106	PH8090106 OIL RESERVOIR SEAL BOLT
107	PH8090107 STEEL BALL
108	PH8090108 O-RING
109	PH8090109 RELEASE VALVE ROD ASSEMBLY
110	PH8090110 STEEL BALL
111	PH8090111 RING
112	PH8090112 PUMP
113	PH8090113 RETAINING RING
114	PH8090114 PUMP CORE - SMALL
115	PH8090115 RETAINING RING
116	PH8090116 PUMP CORE - BIG
117	PH8090117 O-RING

REF PART #	DESCRIPTION
118	PH8090118 PUMP CYLINDER
119	PH8090119 RING
120	PH8090120 THIN BALL HEAD
121	PH8090121 FILTRATE NET
122	PH8090122 OIL TANK RING
123	PH8090123 CYLINDER
124	PH8090124 O-RING
125	PH8090125 BOWL STYLE RING
126	PH8090126 PISTON
127	PH8090127 C-RING
128	PH8090128 PISTON ROD
129	PH8090129 RECTANGLE RING
130	PH8090130 CAP SCREW
131	PH8090131 OIL TANK
132	PH8090132 RECTANGLE RING
133	PH8090133 O-RING
134	PH8090134 TOP CAP