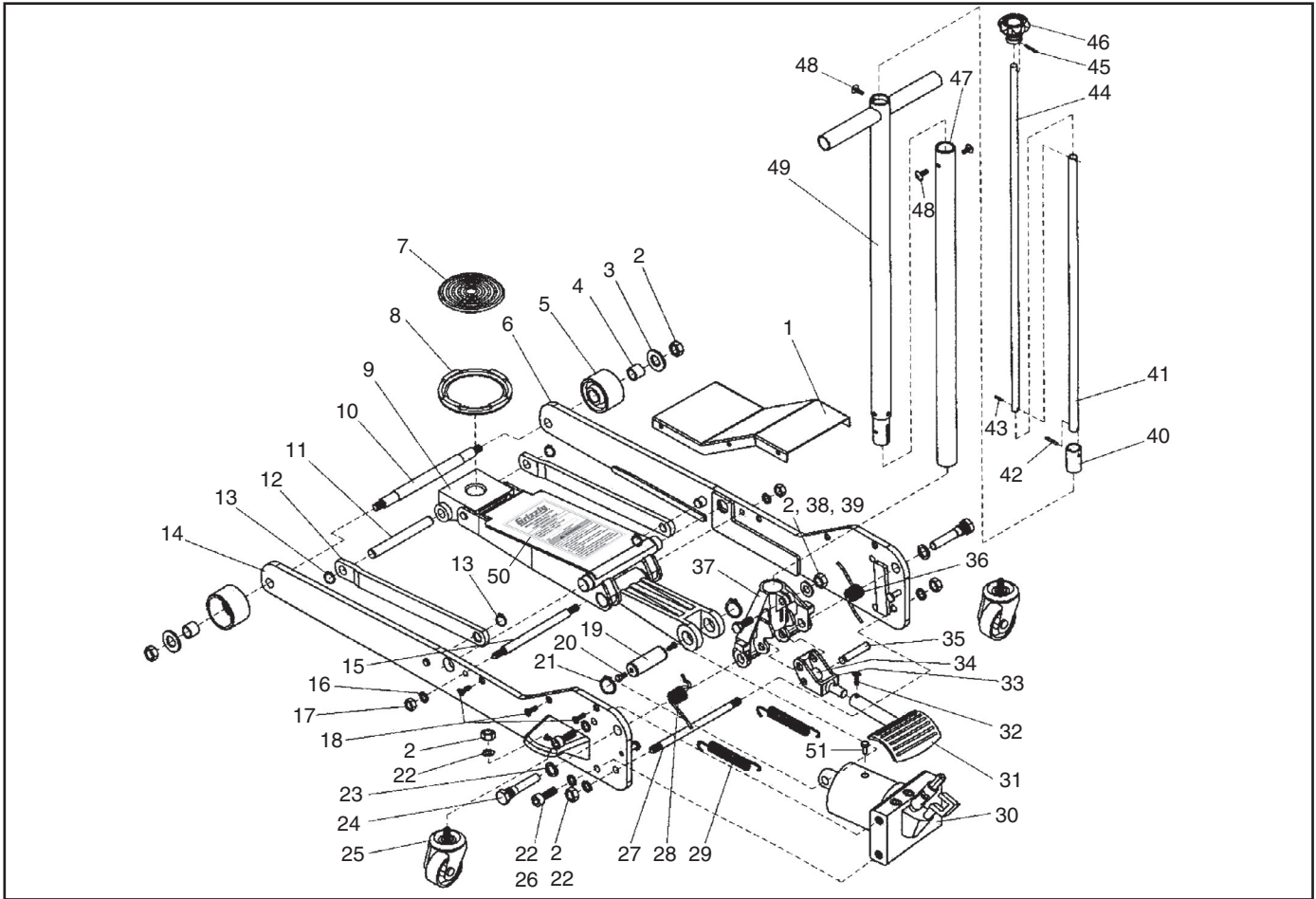


H8093 Parts Breakdown and List



REF	PART #	DESCRIPTION
1	PH8093001	COVER
2	PN09M	HEX NUT M12-1.75
3	PH8093003	FENDER WASHER 12MM
4	PH8093004	FRONT WHEEL SLEEVE
5	PH8093005	FRONT WHEEL
6	PH8093006	LEFT FRAME
7	PH8093007	RUBBER PAD
8	PH8093008	SADDLE
9	PH8093009	LIFTING ARM ASSEMBLY
10	PH8093010	FRONT WHEEL AXIS
11	PH8093011	CONNECTING ROD AXIS
12	PH8093012	LONG CONNECTING ROD
13	PR06M	EXT RETAINING RING 16MM
14	PH8093014	RIGHT FRAME
15	PH8093015	CONNECTING ROD
16	PLW06M	LOCK WASHER 10MM
17	PN02M	HEX NUT M10-1.5
18	PS26M	PHLP HD SCR M6-1 X 20
19	PH8093019	AXIS FOR PUMP
20	PB20M	HEX BOLT M8-1.25 X 35
21	PR11M	EXT RETAINING RING 25MM
22	PLW05M	LOCK WASHER 12MM
23	PLW12M	LOCK WASHER 18MM
24	PH8093024	CONNECTING BOLT
25	PH8093025	REAR CASTER ASSEMBLY
26	PS29M	PHLP HD SCR M12-1.75 X 25

REF	PART #	DESCRIPTION
27	PH8093027	SUPPORT ROD
28	PH8093028	TORSION SPRING
29	PH8093029	EXTENSION SPRING
30	PH8093030	PUMP ASSEMBLY
31	PH8093031	FOOT PEDAL
32	PS14M	PHLP HD SCR M6-1 X 12
33	PH8093033	PEDAL BASE
34	PH8093034	IDLER WHEEL
35	PH8093035	IDLER WHEEL SHAFT
36	PH8093036	TORSION SPRING
37	PH8093037	HANDLE SOCKET
38	PB35M	HEX BOLT M12-1.75 X 40
39	PW06M	FLAT WASHER 12MM
40	PH8093040	OPERATION HEAD
41	PH8093041	OPERATION ROD 2
42	PH8093042	COTTER PIN 4 X 26MM
43	PH8093043	COTTER PIN 3 X 16MM
44	PH8093044	OPERATION ROD 1
45	PH8093045	COTTER PIN 3 X 28MM
46	PH8093046	PUMP VALVE KNOB
47	PH8093047	LOWER HANDLE
48	PS03M	PHLP HD SCR M6-1 X 8
49	PH8093049	UPPER HANDLE
50	PH8093050	MACHINE ID LABEL
51	PH8093051	FILL PLUG

WARNING

The machine ID label warns about hazards and ways to prevent injury. The owner of the jack **MUST** maintain the original location and readability of the label. If the label is removed or becomes unreadable, contact Grizzly at (800) 523-4777 or www.grizzly.com to order a new label.