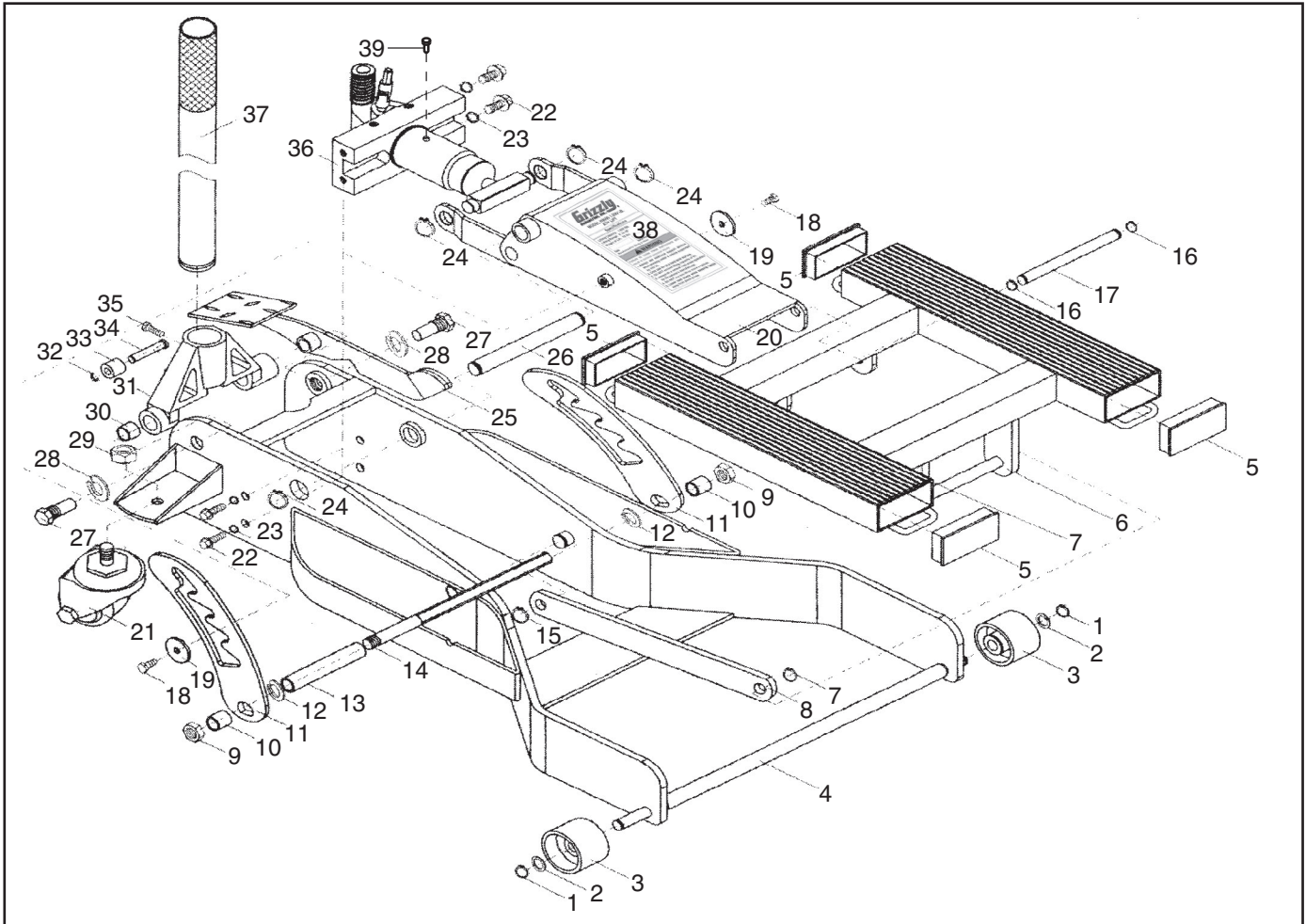


# H8095 Parts Breakdown and List



REF	PART #	DESCRIPTION
1	PR06M	EXT RETAINING RING 16MM
2	PW08M	FLAT WASHER 16MM
3	PH8095003	FRONT WHEEL
4	PH8095004	BASE ASSEMBLY
5	PH8095005	PLASTIC END CAP
6	PH8095006	SADDLE ASSEMBLY
7	PH8095007	RUBBER CUSHION
8	PH8095008	POLE
9	PN13M	HEX NUT M16-2
10	PH8095010	BUSHING
11	PH8095011	RATCHET PLATE
12	PLW10M	LOCK WASHER 16MM
13	PH8095013	AXLE COVER
14	PH8095014	SAFETY AXLE
15	PR07M	EXT RETAINING RING 18MM
16	PR02M	EXT RETAINING RING 14MM
17	PH8095017	SADDLE FIXING AXLE
18	PB06M	HEX BOLT M8-1.25 X 12
19	PW01M	FLAT WASHER 8MM
20	PH8095020	LIFTING ARM

REF	PART #	DESCRIPTION
21	PH8095021	REAR CASTER
22	PH8095022	FLANGE BOLT M10-1.5 X 20
23	PR01M	EXT RETAINING RING 10MM
24	PR09M	EXT RETAINING RING 20MM
25	PH8095025	PEDAL ASSEMBLY
26	PH8095026	LIFTING ARM FIXING POLE
27	PH8095027	SOCKET BOLT
28	PLW07M	LOCK WASHER 20MM
29	PLN09M	LOCK NUT M12-1.75
30	PH8095030	FIXING PIPE
31	PH8095031	HANDLE SOCKET
32	PR39M	EXT RETAINING RING 8MM
33	PH8095033	PRESS WHEEL
34	PH8095034	PRESS WHEEL SHAFT
35	PB09M	HEX BOLT M8-1.25 X 20
36	PH8095036	PUMP ASSEMBLY
37	PH8095037	HANDLE
38	PH8095038	MACHINE ID LABEL
39	PH8095039	FILL PLUG

## WARNING

The machine ID label warns about hazards and ways to prevent injury. The owner of the jack **MUST** maintain the original location and readability of the label. If the label is removed or becomes unreadable, contact Grizzly at (800) 523-4777 or [www.grizzly.com](http://www.grizzly.com) to order a new label.