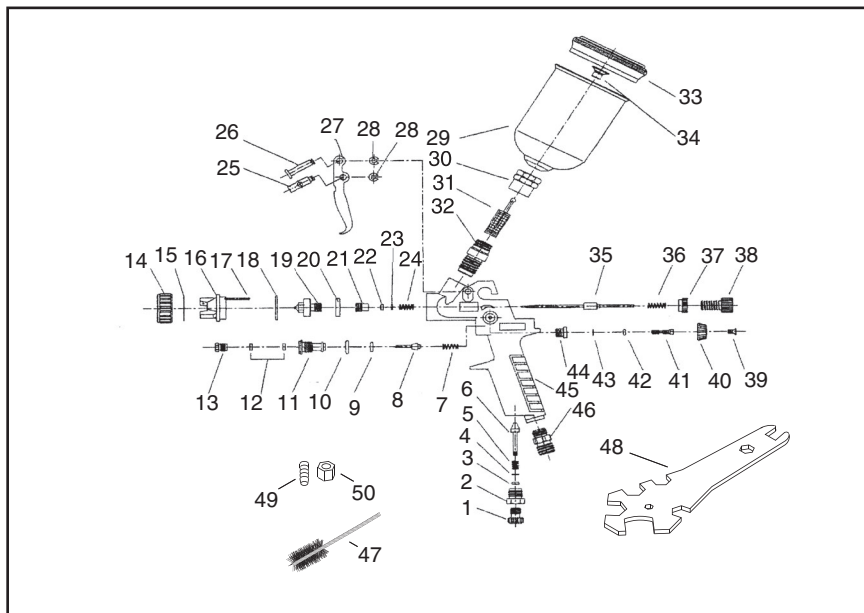


Parts Breakdown H8117



REF	PART #	DESCRIPTION
1	PH8117001	AIR FLOW CONTROL SCR.
2	PH8117002	AIR FLOW CONTROL KNOB
3	PH8117003	O-RING
4	PH8117004	DOMED SEAL WASHER
5	PH8117005	AIR VALVE SPRING
6	PH8117006	AIR INLET VALVE
7	PH8117007	SWITCH SPRING
8	PH8117008	AIR INLET VALVE ASSY
9	PH8117009	BUBBLE WASHER
10	PH8117010	O-RING 4.9 X 1.5
11	PH8117011	SWITCH KNOB
12	PH8117012	SWITCH WASHER
13	PH8117013	LOCK SCREW
14	PH8117014	NOZZLE NUT
15	PH8117015	AIR CAP WASHER
16	PH8117016	ATOMIZING CAP
17	PH8117017	STEEL BALL
18	PH8117018	O-RING 17 X 1.5
19	PH8117019	FLUID NOZZLE 0.8MM
20	PH8117020	FLUID NOZZLE WASHER
21	PH8117021	DIRECTION SCREW
22	PH8117022	ADJ. NEEDLE WASHER
23	PH8117023	WASHER
24	PH8117024	COMPRESSION SPRING
25	PH8117025	TRIGGER PIN I

REF	PART #	DESCRIPTION
26	PH8117026	TRIGGER PIN II
27	PH8117027	TRIGGER
28	PEC01M	E-CLIP 3MM
29	PH8117029	CUP
30	PH8117030	JOINT NUT
31	PH8117031	FILTER
32	PH8117032	FLUID INLET JOINT
33	PH8117033	LID
34	PH8117034	SMALL JOINT NUT
35	PH8117035	FLUID NEEDLE 0.6MM
36	PH8117036	FLUID NEEDLE SPRING
37	PH8117037	JOINT CAP
38	PH8117038	FLUID CONTROL KNOB
39	PS52M	PHLP HD SCR M4-.7 X 20
40	PH8117040	PATTERN CONTROL CAP
41	PH8117041	PATTERN CONTROL SCR.
42	PH8117042	O-RING
43	PEC02M	E-CLIP 4MM
44	PH8117044	PATTERN CONTROL KNOB
45	PH8117045	GUN BODY
46	PH8117046	AIR INLET JOINT
47	PH8117047	CLEANING BRUSH
48	PH8117048	SERVICE WRENCH
49	PH8117049	BARBED HOSE FITTING
50	PH8117050	LOCK NUT