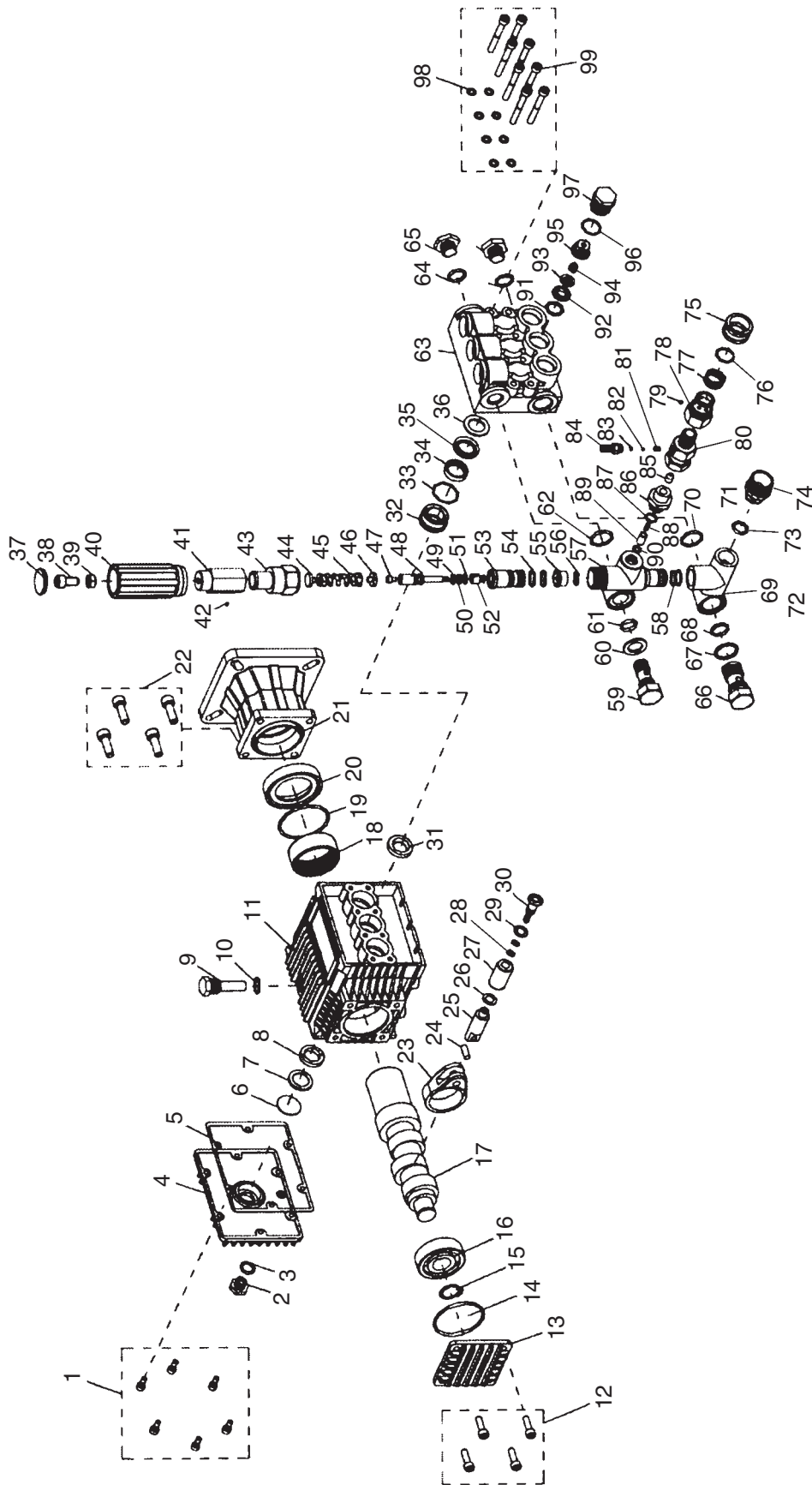


H8189 Pump Parts Breakdown



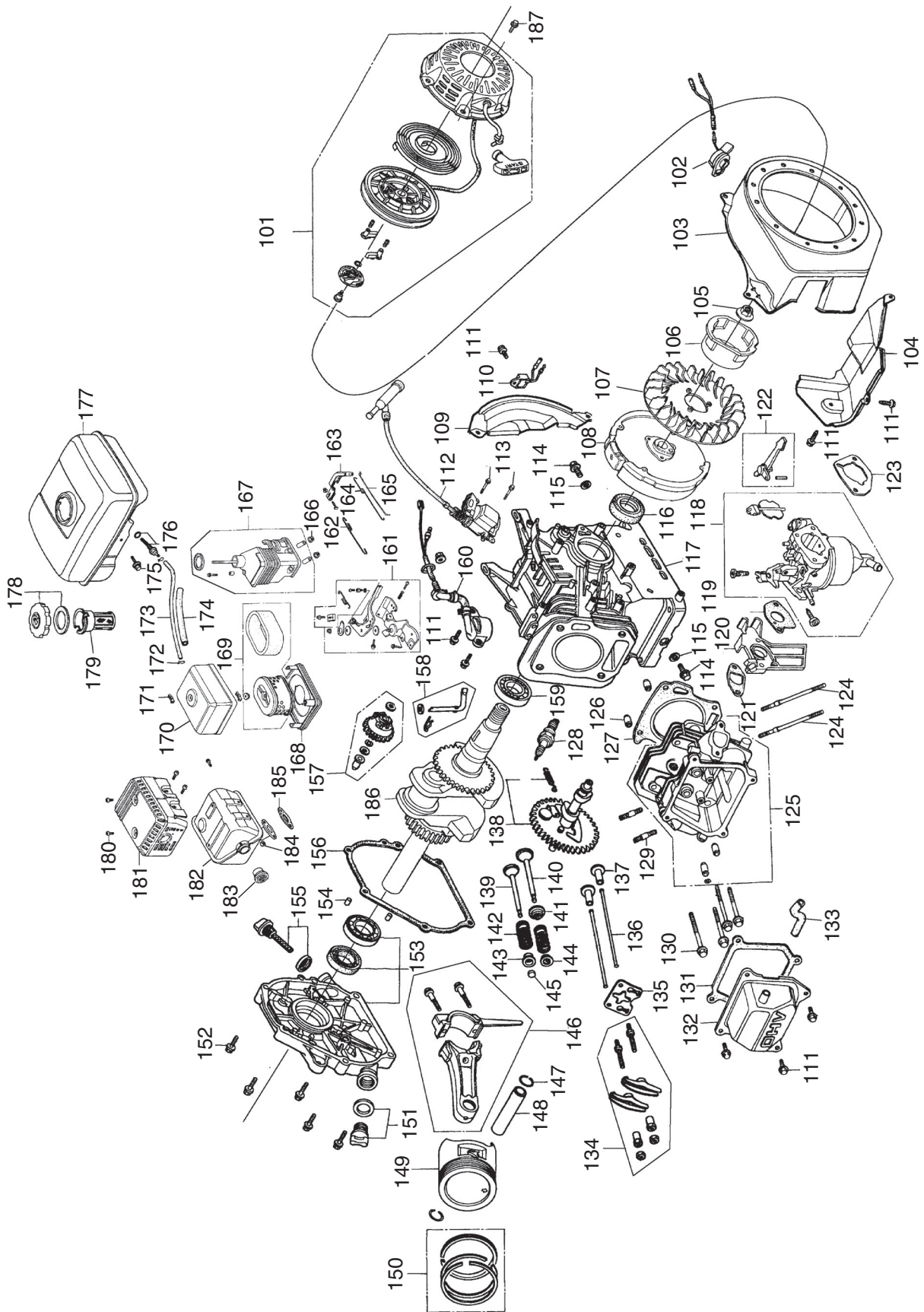
H8189 Pump Parts List

| REF | PART # | DESCRIPTION |
|-----|-----------|---------------------------------|
| 1 | PH8189001 | CRANK CASE COVER BOLT |
| 2 | PH8189002 | OIL DRAIN PLUG |
| 3 | PH8189003 | OIL DRAIN PLUG WASHER |
| 4 | PH8189004 | CRANK CASE COVER |
| 5 | PH8189005 | CRANK CASE COVER GASKET |
| 6 | PH8189006 | SIGHT GLASS |
| 7 | PH8189007 | SIGHT GLASS GASKET |
| 8 | PH8189008 | SIGHT GLASS CAP |
| 9 | PH8189009 | OIL INLET PLUG |
| 10 | PH8189010 | OIL INLET PLUG GASKET |
| 11 | PH8189011 | CRANK CASE |
| 12 | PH8189012 | CRANK SHAFT COVER BOLT |
| 13 | PH8189013 | CRANK SHAFT COVER |
| 14 | PH8189014 | BEARING COVER GASKET |
| 15 | PH8189015 | BEARING CLIP |
| 16 | PH8189016 | BALL BEARING |
| 17 | PH8189017 | CRANKSHAFT |
| 18 | PH8189018 | NEEDLE ROLLER BEARING |
| 19 | PH8189019 | FLANGE RING |
| 20 | PH8189020 | CRANK SHAFT GASKET |
| 21 | PH8189021 | FLANGE |
| 22 | PH8189022 | FLANGE BOLT |
| 23 | PH8189023 | CONNECTING ROD |
| 24 | PH8189024 | CONNECTING ROD PIN |
| 25 | PH8189025 | PLUNGER ROD |
| 26 | PH8189026 | COPPER WASHER |
| 27 | PH8189027 | CERAMIC PLUNGER |
| 28 | PH8189028 | PLUNGER CAP SCREW RING |
| 29 | PH8189029 | COPPER WASHER |
| 30 | PH8189030 | PLUNGER CAP SCREW |
| 31 | PH8189031 | LOCATING RING |
| 32 | PH8189032 | LOCATING RING WATER SEAL |
| 33 | PH8189033 | LOCATING RING GASKET |
| 34 | PH8189034 | U-PACKING RING |
| 35 | PH8189035 | U-PACKING |
| 36 | PH8189036 | U-PACKING SEAT |
| 37 | PH8189037 | HANDLE COVER |
| 38 | PH8189038 | PRESSURE ADJUSTMENT SCREW |
| 39 | PH8189039 | ADJUSTMENT SCREW FIXED NUT |
| 40 | PH8189040 | PRESSURE ADJUSTMENT HANDLE |
| 41 | PH8189041 | PRESSURE ADJUSTMENT SEAT |
| 42 | PH8189042 | PRESSURE ADJUSTMENT FIXED SCREW |
| 43 | PH8189043 | PRESSURE ADJUSTMENT VALVE |
| 44 | PH8189044 | UPPER SPRING WASHER |
| 45 | PH8189045 | PRESSURE ADJUSTMENT SPRING |
| 46 | PH8189046 | LOWER SPRING WASHER |
| 47 | PH8189047 | ADJUSTMENT VALVE SCREW |
| 48 | PH8189048 | WATER RETURN VALVE ROD |
| 49 | PH8189049 | VALVE JACKET INNER GASKET |
| 50 | PH8189050 | ADJUSTMENT VALVE SEAT |

| REF | PART # | DESCRIPTION |
|-----|-----------|-----------------------------------|
| 51 | PH8189051 | VALVE JACKET INNER GASKET |
| 52 | PH8189052 | WATER RETURN VALVE CORE |
| 53 | PH8189053 | WATER RETURN VALVE JACKET |
| 54 | PH8189054 | VALVE JACKET OUTER GASKET |
| 55 | PH8189055 | WATER RETURN VALVE SEAT |
| 56 | PH8189056 | VALVE SEAT GASKET |
| 57 | PH8189057 | WATER OUTLET T-CONNECTOR |
| 58 | PH8189058 | T-CONNECTOR GASKET |
| 59 | PH8189059 | OUTLET T-CONNECTOR FIXED BOLT |
| 60 | PH8189060 | FIXED BOLT WASHER |
| 61 | PH8189061 | FIX BOLT GASKET |
| 62 | PH8189062 | OUTLET T-CONNECTOR GASKET |
| 63 | PH8189063 | CYLINDER |
| 64 | PH8189064 | SCREW GASKET |
| 65 | PH8189065 | SCREW CAP |
| 66 | PH8189066 | INLET T-CONNECTOR GASKET |
| 67 | PH8189067 | BOLT WASHER |
| 68 | PH8189068 | INLET T-CONNECTOR GASKET |
| 69 | PH8189069 | WATER INLET T-CONNECTOR |
| 70 | PH8189070 | INLET T-CONNECTOR GASKET |
| 71 | PH8189071 | INLET SCREW GASKET |
| 72 | PH8189072 | INLET SCREW |
| 73 | PH8189073 | WATER INLET CONNECTOR SEAL GASKET |
| 74 | PH8189074 | WATER INLET CONNECTOR |
| 75 | PH8189075 | QUICK CONNECTOR CAP |
| 76 | PH8189076 | BEARING CLIP |
| 77 | PH8189077 | QUICK CONNECTOR GASKET |
| 78 | PH8189078 | QUICK CONNECTOR |
| 79 | PH8189079 | STEEL BALL |
| 80 | PH8189080 | DETERGENT INJECTOR |
| 81 | PH8189081 | INJECTOR SPRING |
| 82 | PH8189082 | DETERGENT INJECTOR GASKET |
| 83 | PH8189083 | STEEL BALL |
| 84 | PH8189084 | INJECTOR NOZZLE |
| 85 | PH8189085 | WATER SHOOTING NOZZLE |
| 86 | PH8189086 | WATER OUTLET JOINT |
| 87 | PH8189087 | WATER OUTLET JOINT GASKET |
| 88 | PH8189088 | WATER OUTLET CONE VALVE SPRING |
| 89 | PH8189089 | WATER OUTLET CONE VALVE |
| 90 | PH8189090 | WATER OUTLET CONE VALVE GASKET |
| 91 | PH8189091 | CHECK VALVE GASKET |
| 92 | PH8189092 | CHECK VALVE WASHER |
| 93 | PH8189093 | CHECK VALVE FLAKE |
| 94 | PH8189094 | CHECK VALVE SPRING |
| 95 | PH8189095 | CHECK VALVE BOX |
| 96 | PH8189096 | COMPACTION CAP SEAL GASKET |
| 97 | PH8189097 | CHECK VALVE COMPACTION CAP |
| 98 | PH8189098 | CYLINDER BOLT WASHER |
| 99 | PH8189099 | CYLINDER BOLT |



H8189 Engine Parts Breakdown



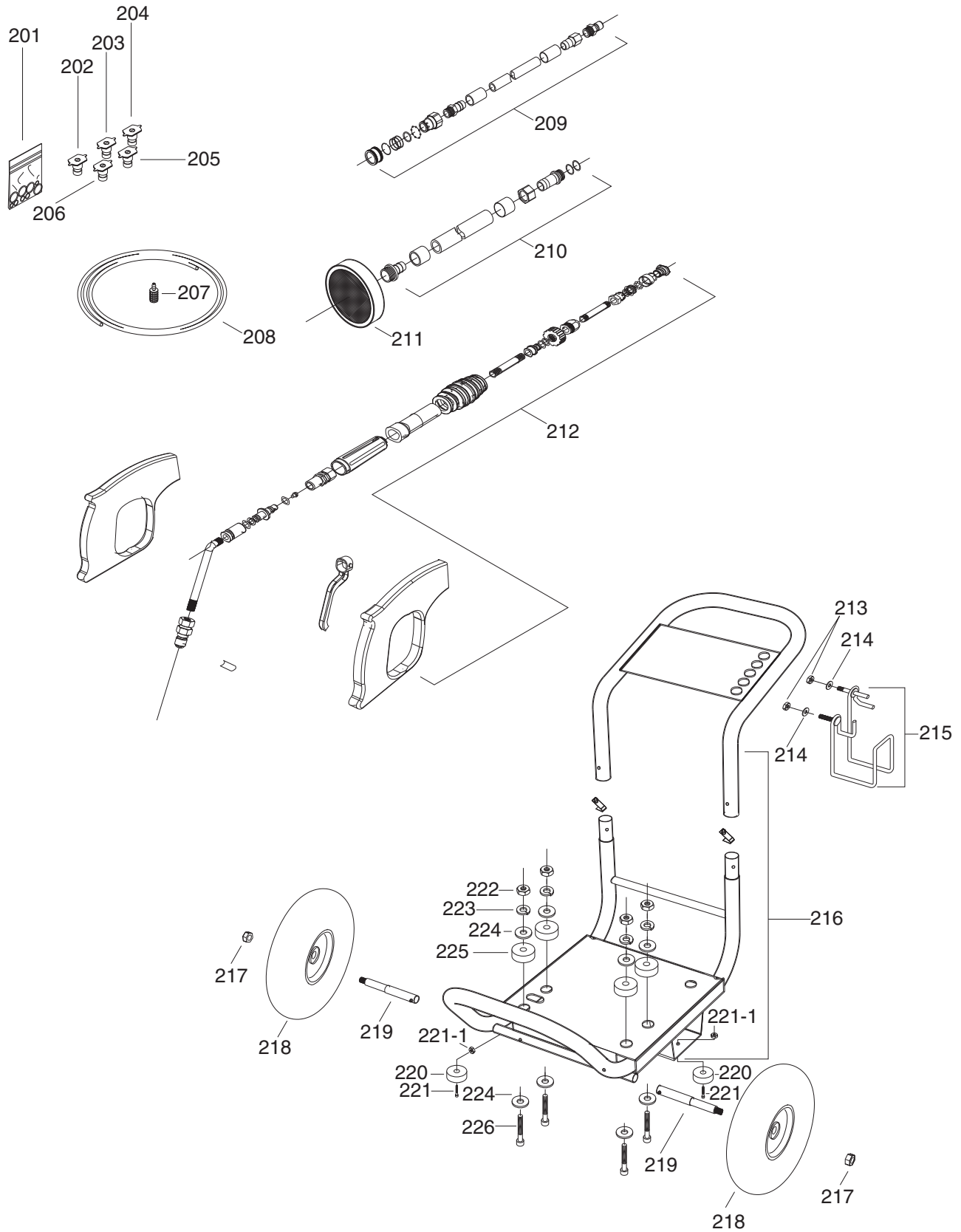
H8189 Engine Parts List

| REF | PART # | DESCRIPTION |
|-----|-----------|-------------------------------|
| 101 | PH8189101 | RECOIL STARTER ASSEMBLY |
| 102 | PH8189102 | ENGINE SWITCH |
| 103 | PH8189103 | FAN COVER |
| 104 | PH8189104 | SHROUD |
| 105 | PH8189105 | FLANGE NUT M14-2 |
| 106 | PH8189106 | STARTER PULLEY |
| 107 | PH8189107 | COOLING FAN |
| 108 | PH8189108 | FLYWHEEL |
| 109 | PH8189109 | SIDE PLATE |
| 110 | PH8189110 | DIODE |
| 111 | PFB01M | FLANGE BOLT M6-1 X 12 |
| 112 | PH8189112 | IGNITION COIL ASSEMBLY |
| 113 | PH8189113 | FLANGE BOLT M6-1 X 25 |
| 114 | PH8189114 | DRAIN PLUG |
| 115 | PH8189115 | DRAIN PLUG WASHER |
| 116 | PH8189116 | OIL SEAL |
| 117 | PH8189117 | CRANK CASE ASSEMBLY |
| 118 | PH8189118 | CARBURETOR ASSEMBLY |
| 119 | PH8189119 | CARBURETOR PACKING |
| 120 | PH8189120 | CARBURETOR INSULATOR |
| 121 | PH8189121 | INSULATOR GASKET |
| 122 | PH8189122 | CHOKE LEVER |
| 123 | PH8189123 | AIR FILTER GASKET |
| 124 | PH8189124 | CYLINDER HEAD STUD |
| 125 | PH8189125 | CYLINDER HEAD ASSEMBLY |
| 126 | PH8189126 | DOWEL PIN 10 X 16 |
| 127 | PH8189127 | CYLINDER HEAD GASKET |
| 128 | PH8189128 | SPARK PLUG |
| 129 | PH8189129 | STUD |
| 130 | PH8189130 | FLANGE BOLT M8-1.25 X 60 |
| 131 | PH8189131 | VALVE COVER GASKET |
| 132 | PH8189132 | VALVE COVER |
| 133 | PH8189133 | PCV TUBE |
| 134 | PH8189134 | ROCKER VALVE ASSEMBLY |
| 135 | PH8189135 | PUSH ROD GUIDE PLATE |
| 136 | PH8189136 | PUSH ROD |
| 137 | PH8189137 | VALVE LIFTER |
| 138 | PH8189138 | CAMSHAFT ASSEMBLY |
| 139 | PH8189139 | EXHAUST VALVE |
| 140 | PH8189140 | INTAKE VALVE |
| 141 | PH8189141 | VALVE SPRING SEAT |
| 142 | PH8189142 | VALVE SPRING |
| 143 | PH8189143 | EXHAUST VALVE SPRING RETAINER |
| 144 | PH8189144 | INTAKE VALVE SPRING RETAINER |

| REF | PART # | DESCRIPTION |
|-----|-----------|---------------------------|
| 145 | PH8189145 | VALVE ROTATOR |
| 146 | PH8189146 | CONNECTING ROD ASSEMBLY |
| 147 | PH8189147 | WRIST PIN CLIP |
| 148 | PH8189148 | WRIST PIN |
| 149 | PH8189149 | PISTON |
| 150 | PH8189150 | PISTON RING SET |
| 151 | PH8189151 | OIL CAP |
| 152 | PH8189152 | FLANGE BOLT M8-1.25 X 32 |
| 153 | PH8189153 | CRANKCASE COVER ASSEMBLY |
| 154 | PH8189154 | DOWEL PIN 8X 14 |
| 155 | PH8189155 | DIPSTICK ASSEMBLY |
| 156 | PH8189156 | CRANKCASE GASKET |
| 157 | PH8189157 | GOVERNOR ASSEMBLY |
| 158 | PH8189158 | GOVERNOR ASSEMBLY SHAFT |
| 159 | PH8189159 | RADIAL BALL BEARING 6025 |
| 160 | PH8189160 | OIL LEVEL SWITCH ASSEMBLY |
| 161 | PH8189161 | THROTTLE LEVER ASSEMBLY |
| 162 | PH8189162 | GOVERNOR SPRING |
| 163 | PH8189163 | GOVERNOR ARM |
| 164 | PH8189164 | THROTTLE RETURN SPRING |
| 165 | PH8189165 | GOVERNOR ROD |
| 166 | PN01M | HEX NUT M6-1 |
| 167 | PH8189167 | AIR FILTER CASE |
| 168 | PH8189168 | AIR FILTER SEPARATOR |
| 169 | PH8189169 | AIR FILTER ELEMENT |
| 170 | PH8189170 | AIR FILTER COVER |
| 171 | PH8189171 | WIND NUT M6-1 |
| 172 | PH8189172 | HOSE CLAMP |
| 173 | PH8189173 | FUEL LINE |
| 174 | PH8189174 | RUBBER PAD |
| 175 | PH8189175 | FLANGE BOLT M6-1 X 25 |
| 176 | PH8189176 | FUEL TANK PICK-UP TUBE |
| 177 | PH8189177 | FUEL TANK |
| 178 | PH8189178 | FUEL FILLER CAP |
| 179 | PH8189179 | FUEL FILTER |
| 180 | PS05M | PHLP HD SCR M5-.8 X 8 |
| 181 | PH8189181 | MUFFLER GUARD |
| 182 | PH8189182 | MUFFLER |
| 183 | PH8189183 | SPARK ARRESTER |
| 184 | PN03M | HEX NUT M8-1.25 |
| 185 | PH8189185 | EXHAUST PIPE GASKET |
| 186 | PH8189186 | CRANKSHAFT ASSEMBLY |
| 187 | PH8189187 | FLANGE BOLT M6-1 X 8 |



H8189 Frame and Accessories Parts Breakdown



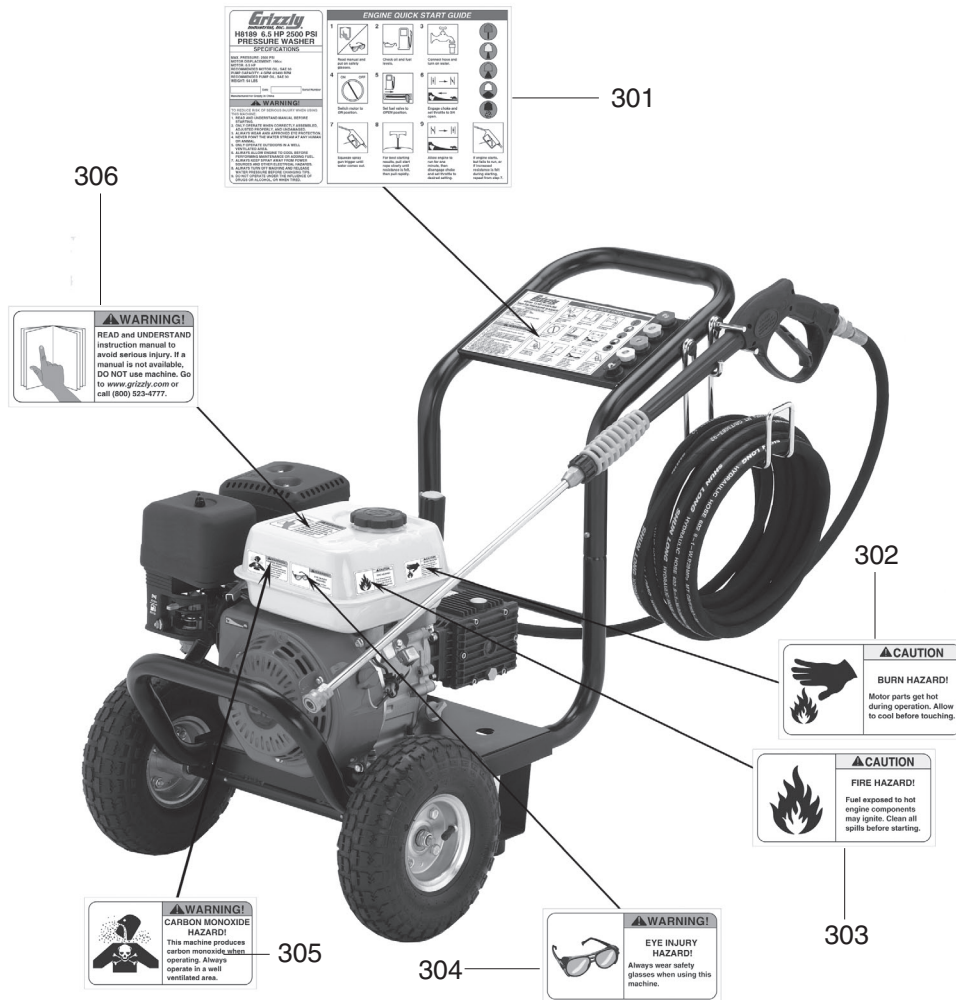
H8189 Frame and Accessories Parts List

| REF | PART # | DESCRIPTION |
|-----|-----------|-----------------------------|
| 201 | PH8189201 | O-RING KIT |
| 202 | PH8189202 | 0 DEGREE NOZZLE |
| 203 | PH8189203 | 15 DEGREE NOZZLE |
| 204 | PH8189204 | 25 DEGREE NOZZLE |
| 205 | PH8189205 | 40 DEGREE NOZZLE |
| 206 | PH8189206 | CHEMICAL NOZZLE |
| 207 | PH8189207 | CHEMICAL FILTER |
| 208 | PH8189208 | CHEMICAL HOSE |
| 209 | PH8189209 | HIGH PRESSURE HOSE |
| 210 | PH8189210 | INPUT HOSE |
| 211 | PH8189211 | INPUT HOSE FILTER |
| 212 | PH8189212 | SPRAY GUN AND WAND ASSEMBLY |
| 213 | PN03M | HEX NUT M8-1.25 |
| 214 | PW01M | FLAT WASHER 8MM |

| REF | PART # | DESCRIPTION |
|-------|-----------|---------------------|
| 215 | PH8189215 | SPRAY GUN BRACKET |
| 216 | PH8189216 | FRAME ASSEMBLY |
| 217 | PN09M | HEX NUT M12-1.75 |
| 218 | PH8189218 | WHEEL ASSEMBLY |
| 219 | PH8189219 | AXLE |
| 220 | PH8189220 | RUBBER PAD |
| 221 | PSB74M | CAP SCREW M6-1 X 18 |
| 221-1 | PN01M | HEX NUT M6-1 |
| 222 | PN02M | HEX NUT M10-1.5 |
| 223 | PLW06M | LOCK WASHER 10MM |
| 224 | PW04M | FLAT WASHER 10MM |
| 225 | PH8189225 | RUBBER PAD |
| 226 | PH8189226 | HEX BOLT M10-1.5 60 |



H8189 Machine Labels Breakdown



| REF PART # | DESCRIPTION |
|------------|--------------------------------------|
| 301 | PH8189301 MACHINE ID LABEL |
| 302 | PH8189302 HOT SURFACES WARNING LABEL |
| 303 | PH8189303 FLAMABLE WARNING LABEL |

| REF PART # | DESCRIPTION |
|------------|---|
| 304 | PH8189304 SAFETY GLASSES LABEL |
| 305 | PH8189305 CARBON MONOXIDE WARNING LABEL |
| 306 | PH8189306 READ MANUAL LABEL |

! WARNING

Safety labels warn about machine hazards and ways to prevent injury. The owner of this machine **MUST** maintain the original location and readability of the labels on the machine. If any label is removed or becomes unreadable, **REPLACE** that label before using the machine again. Contact Grizzly at (800) 523-4777 or www.grizzly.com to order new labels.

