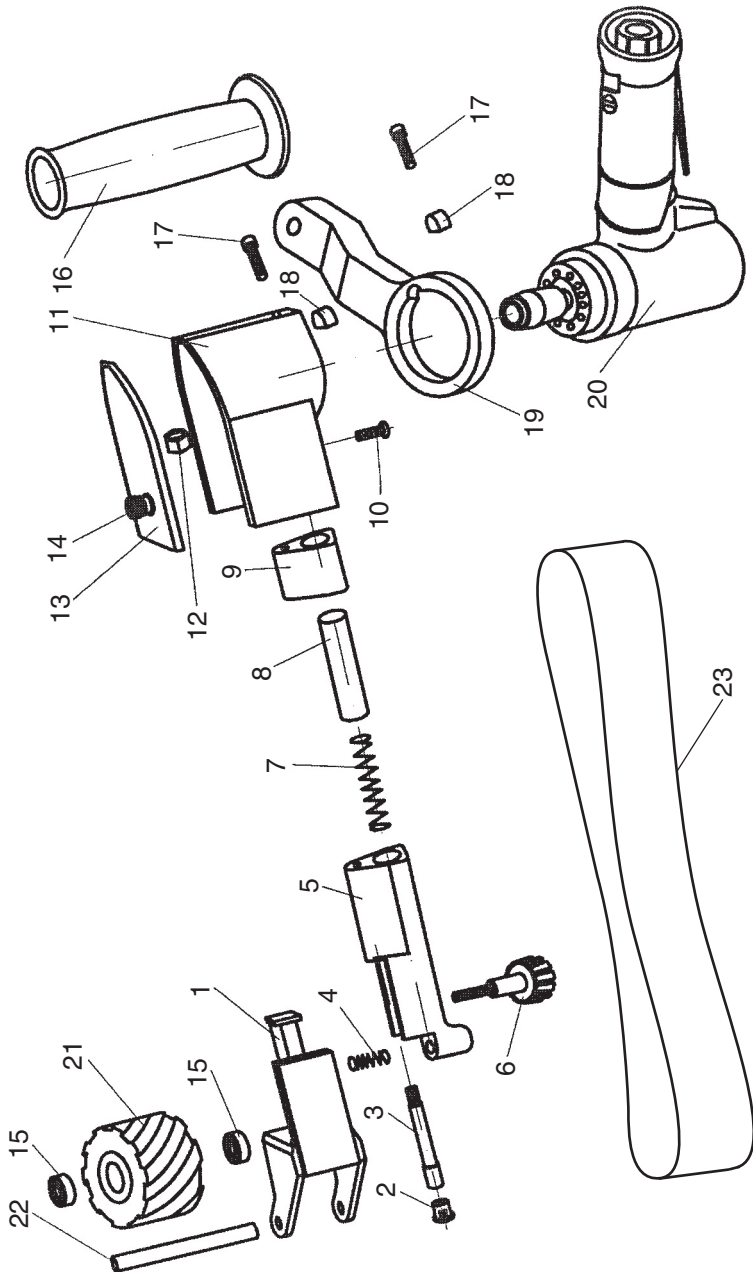


# H8253 MAIN BREAKDOWN

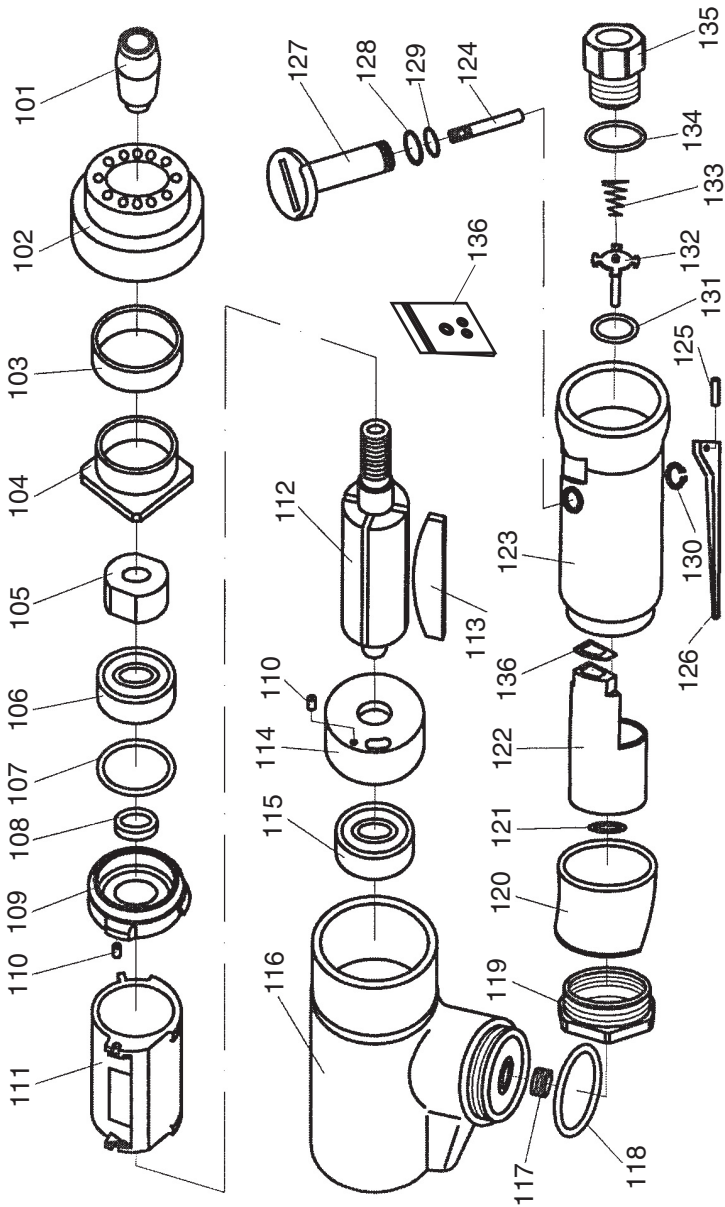


# H8253 MAIN PARTS LIST

---

REF	PART #	DESCRIPTION
1	PH8253001	CONTACT ARM ASSEMBLY
2	PH8253002	PLUG
3	PH8253003	GUIDE POST
4	PH8253004	COMPRESSION SPRING
5	PH8253005	TENSION ARM
6	PH8253006	KNOB M4-.7 X 22
7	PH8253007	COMPRESSION SPRING
8	PH8253008	TENSION SHAFT
9	PH8253009	DUST COVER
10	PFH41M	FLAT HD SCR M4-.7 X 16
11	PH8253011	MAIN HOUSING
12	PN06M	HEX NUT M5-.8
13	PH8253013	BELT GUARD
14	PSB110M	CAP SCREW M4-.7 X 6
15	PH8253015	BALL BEARING R4RS
16	PH8253016	HANDLE ASSEMBLY
17	PSB41M	CAP SCREW M4-.7 X 14
18	PH8253018	MOTOR LOCK
19	PH8253019	HANDLE SUPPORT
20	PH8253020	MOTOR ASSEMBLY
21	PH8253021	CONTACT WHEEL
22	PH8253022	CONTACT WHEEL SHAFT
23	PH8253023	SANDING BELT 1 X 18"

# H8253 MOTOR BREAKDOWN



# H8253 MOTOR PARTS LIST

---

REF	PART #	DESCRIPTION
101	PH8253101	DRIVE WHEEL
102	PH8253102	EXHAUST COVER
103	PH8253103	FELT SILENCER
104	PH8253104	AIR CONTROL RING
105	PH8253105	ROTOR NUT
106	P6000	BALL BEARING 6000ZZ
107	PH8253107	SHIM
108	PH8253108	SPACER
109	PH8253109	FRONT BEARING CUP
110	PH8253110	PIN
111	PH8253111	CYLINDER
112	PH8253112	ROTOR
113	PH8253113	BLADE
114	PH8253114	REAR BEARING CUP
115	P608	BALL BEARING 608ZZ
116	PH8253116	MOTOR HOUSING
117	PH8253117	SPECIAL SCREW
118	PH8253118	GASKET
119	PH8253119	LOCK RING
120	PH8253120	COLLAR
121	PH8253121	INTERNAL GASKET
122	PH8253122	INSERT
123	PH8253123	HANDLE HOUSING
124	PH8253124	VALVE STEM
125	PRP02	ROLL PIN 1/8 X 3/4
126	PH8253126	THROTTLE LEVER
127	PH8253127	SPEED REGULATOR
128	PORP009	O-RING 8.8 X 1.9 P9
129	PH8253129	O-RING 8 X 1
130	PR16M	EXT RETAINING RING 9MM
131	PH8253131	TIP VALVE SEAL
132	PH8253132	TIP VALVE
133	PH8253133	COMPRESSION SPRING
134	PORP016	O-RING 15.8 X 2.4 P16
135	PH8253135	INLET FITTING
136	PH8253136	O-RING REPLACEMENT KIT