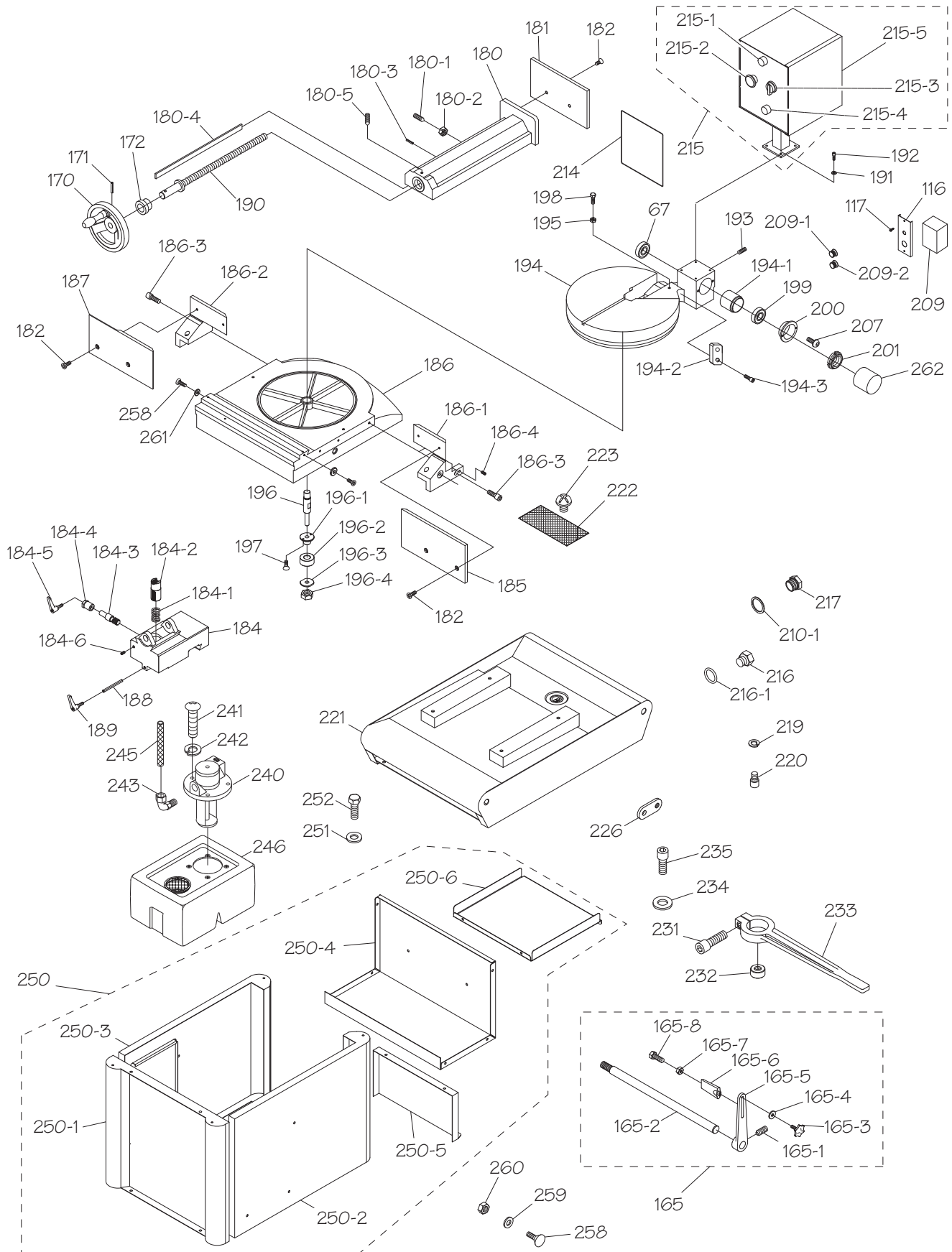


# Cabinet & Base

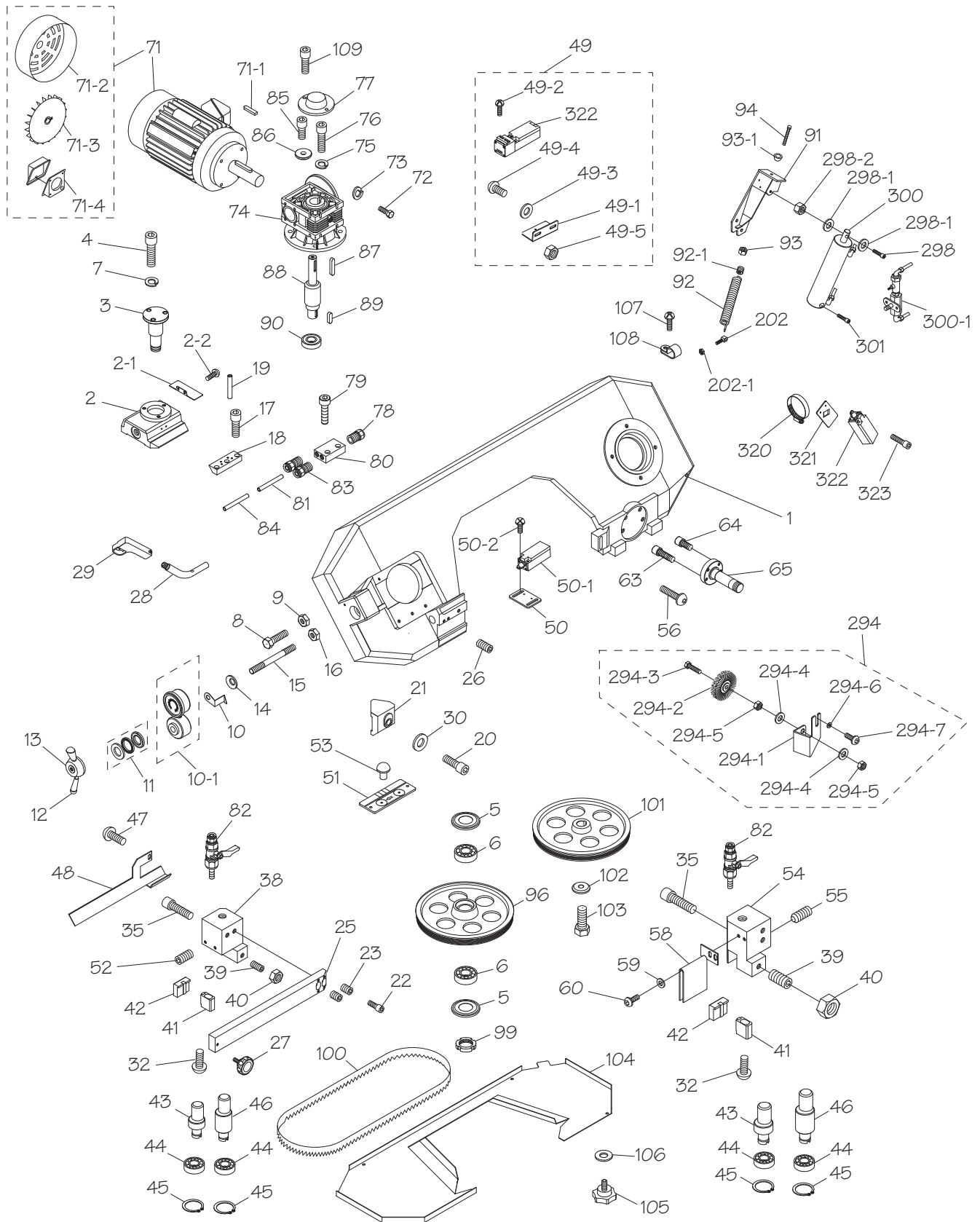


# Cabinet & Base Parts List

REF	PART #	DESCRIPTION
67	P32007	TAPER ROLLER BEARING 32007
110	PCAP01M	CAP SCREW M6-1 X 16
111	PNO1M	HEX NUT M6-1
116	PSB1020116	LOWER CONTROL BOX PANEL
117	PS09M	PHLP HD SCR M5-.8 X 10
165	PSB1020165	WORK STOP ASSEMBLY
165-1	PSS01M	SET SCREW M6-1 X 10
165-2	PSB1020165-2	WORK STOP ROD
165-3	PSB1020165-3	KNOB BOLT 1/4-20
165-4	PW06	FLAT WASHER 1/4
165-5	PSB1020165-5	WORK STOP BRACKET
165-6	PSB1020165-6	DISTANCE BRACKET
165-7	PNO2M	HEX NUT M10-1.5
165-8	PB32M	HEX BOLT M10-1.5 X 25
170	PSB1020170	WISE HANDWHEEL
171	PRP91M	ROLL PIN 5 X 35
172	PSB1020172	BUSHING
180	PSB1020180	SMALL VISE JAW
180-1	PSS29M	SET SCREW M6-1 X 35
180-2	PNO1M	HEX NUT M6-1
180-3	PRP93M	ROLL PIN 6 X 25
180-4	PSB1020180-4	VISE GIB
180-5	PSS17M	SET SCREW M8-1.25 X 6
181	PSB1020181	LARGE VISE JAW
182	PFH02M	FLAT HD SCR M6-1 X 12
184	PSB1020184	VISE BASE
184-1	PSB1020184-1	COMPRESSION SPRING
184-2	PSB1020184-2	PLUNGER
184-3	PSB1020184-3	GEAR SHAFT
184-4	PSB1020184-4	SHAFT BUSHING
184-5	PSB1020184-5	LOCK LEVER
184-6	PSS06M	SET SCREW M8-1.25 X 16
185	PSB1020185	RIGHT VISE BRACKET
186	PSB1020186	SWIVEL BASE
186-1	PSB1020186-1	LEFT VISE SUPPORT
186-2	PSB1020186-2	RIGHT VISE SUPPORT
186-3	PCAP77M	CAP SCREW M12-1.75 X 30
186-4	PSS78M	SET SCREW M12-1.75 X 25
187	PSB1020187	LEFT VISE BRACKET
188	PSB1020188	LOCK LEVER SHAFT
189	PSB1020189	LOCK LEVER
190	PSB1020190	VISE LEADSCREW
191	PW01M	FLAT WASHER 8MM
192	PCAP31M	CAP SCREW M8-1.25 X 25
193	PSS06M	SET SCREW M8-1.25 X 16
194	PSB1020194	SWIVEL BASE CAP
194-1	PSB1020194-1	BUSHING
194-2	PSB1020194-2	BRACKET
194-3	PCAP31M	CAP SCREW M8-1.25 X 25
195	PNO2M	HEX NUT M10-1.5
196	PSB1020196	SWIVEL BASE SHAFT

REF	PART #	DESCRIPTION
196-1	PSB1020196-1	BUSHING
196-2	PSB1020196-2	SPACER
196-3	PSB1020196-3	SWIVEL BASE SHAFT FLAT WASHER
196-4	PN32M	HEX NUT M14-2
197	PFH05M	FLAT HD SCR M5-.8 X 12
198	PB116M	HEX BOLT M10-1.5 X 45
199	P32007	TAPER ROLLER BEARING 32007
200	PSB1020200	CAM SLEEVE
201	PSB1020201	SPANNER NUT
207	PS20M	PHLP HD SCR M5-.8 X 15
209-1	PSB1020209-1	DOWNFEED RATE KNOB
209-2	PSB1020209-2	START/STOP KNOB
210-1	PORP016	O-RING 15.8 X 2.4 P16
214	PSB1020214	UPPER CONTROL BOX PLATE
215	PSB1020500	UPPER CONTROL BOX ASSEMBLY
215-1	PSB1020502	POWER LAMP
215-2	PSB1020503	EMERGENCY STOP BUTTON
215-3	PSB1020501	BLADE SPEED DIAL
215-4	PSB1020510	START BUTTON
215-5	PSB1020215-5	UPPER CONTROL BOX HOUSING
216	PSB1020216	DRAIN PLUG 3/8PT
216-1	PORP015	O-RING 14.8 X 2.4 P15
217	PSB1020217	OIL SIGHT GLASS
219	PLW06M	LOCK WASHER 10MM
220	PB56M	CAP SCREW M10-1.5 X 20
221	PSB1020221	COOLANT DRAIN PAN ASSEMBLY
222	PSB1020222	COOLANT SCREEN
223	PS07M	PHLP HD SCR M4-.7 X 8
231	PCAP72M	CAP SCREW M10-1.5 X 30
232	PSB1020232	THREADED RETAINER
233	PSB1020233	ADJUSTMENT LEVER
234	PW04M	FLAT WASHER 10MM
235	PB56M	CAP SCREW M10-1.5 X 20
240	PSB1020240	COOLANT PUMP 1/8HP 110/220V 1PH
241	PS11M	PHLP HD SCR M6-1 X 16
242	PLW03M	LOCK WASHER 6MM
243	PSB1020243	PIPE ELBOW 3/8 X 3/8"
245	PSB1020245	COOLANT HOSE 8 X 1300MM
246	PSB1020246	COOLANT TANK
250	PSB1020250	CABINET ASSEMBLY
250-1	PSB1020250-1	LEFT CABINET PANEL
250-2	PSB1020250-2	FRONT CABINET PANEL
250-3	PSB1020250-3	REAR CABINET PANEL W/DOOR
250-4	PSB1020250-4	TOP RIGHT CABINET PANEL
250-5	PSB1020250-5	BOTTOM RIGHT CABINET PANEL
250-6	PSB1020250-6	SHELF PANEL
258	PFH23M	FLAT HD SCR M8-1.25 X 16
259	PW01M	FLAT WASHER 8MM
260	PNO3M	HEX NUT M8-1.25
261	PSB1020261	VISE TRAVEL STOP
262	PSB1020262	BEARING CAP

# Head



# Head Parts List

REF	PART #	DESCRIPTION
1	PSB1020001	BOW CASTING
2	PSB1020002	ANCHOR BRACKET
2-1	PSB1020002-1	ANCHOR PLATE
2-2	PS09M	PHLP HD SCR M5-.8 X 10
3	PSB1020003	MOUNT SHAFT
4	PCAP14M	CAP SCREW M8-1.25 X 20
5	PSB1020005	BEARING CHIP COVER
6	P32006	TAPER ROLLER BEARING 32006
7	PLW04M	LOCK WASHER 8MM
8	PB118M	HEX BOLT M8-1.25 X 45
9	PNO3M	HEX NUT M8-1.25
10	PSB1020010	POINTER
10-1	PSB1020010-1	PRESSURE GAUGE
11	P51203	THRUST BEARING 51203
12	PSB1020012	HANDWHEEL HANDLE
13	PSB1020013	BLADE TENSION HANDWHEEL
14	PSB1020014	LEADSCREW LOCK WASHER 16MM
15	PSB1020015	BLADE TENSION LEADSCREW
16	PN13M	HEX NUT M16-2
17	PCAP14M	CAP SCREW M8-1.25 X 20
18	PSB1020018	FIXED BLOCK
19	PRP28M	ROLL PIN 5 X 40
20	PCAP71M	CAP SCREW M10-1.5 X 60
21	PSB1020021	FIXED BLOCK
22	PCAP14M	CAP SCREW M8-1.25 X 20
23	PSS11M	SET SCREW M6-1 X 16
25	PSB1020025	LEFT BLADE GUIDE BRACKET
26	PSS16M	SET SCREW M8-1.25 X 10
27	PSB1020027	KNOB BOLT M6-1 X 15
28	PSB1020028	CONNECTING TUBE
29	PSB1020029	TUBE COVER
30	PW04M	FLAT WASHER 10MM
32	PS62M	PHLP HD SCR M6-1 X 30
35	PB05M	HEX BOLT M6-1 X 8
38	PSB1020038	LEFT BLADE ADJUSTMENT BRACKET
39	PSS09M	SET SCREW M8-1.25 X 20
40	PNO3M	HEX NUT M8-1.25
41	PSB1020041	FRONT BLADE GUIDE
42	PSB1020042	REAR BLADE GUIDE
43	PSB1020043	REAR BLADE GUIDE SHAFT
44	P608ZZ	BALL BEARING 608ZZ
45	PR39M	EXT RETAINING RING 8MM
46	PSB1020046	FRONT BLADE GUIDE SHAFT
47	PS68M	PHLP HD SCR M6-1 X 10
48	PSB1020048	LEFT BLADE GUARD
49	PSB1020049	POWER SWITCH ASSEMBLY
49-1	PSB1020049-1	LIMIT SWITCH BRACKET
49-2	PS51M	PHLP HD SCR M4-.7 X 30
49-3	PW03M	FLAT WASHER 6MM
49-4	PS68M	PHLP HD SCR M6-1 X 10

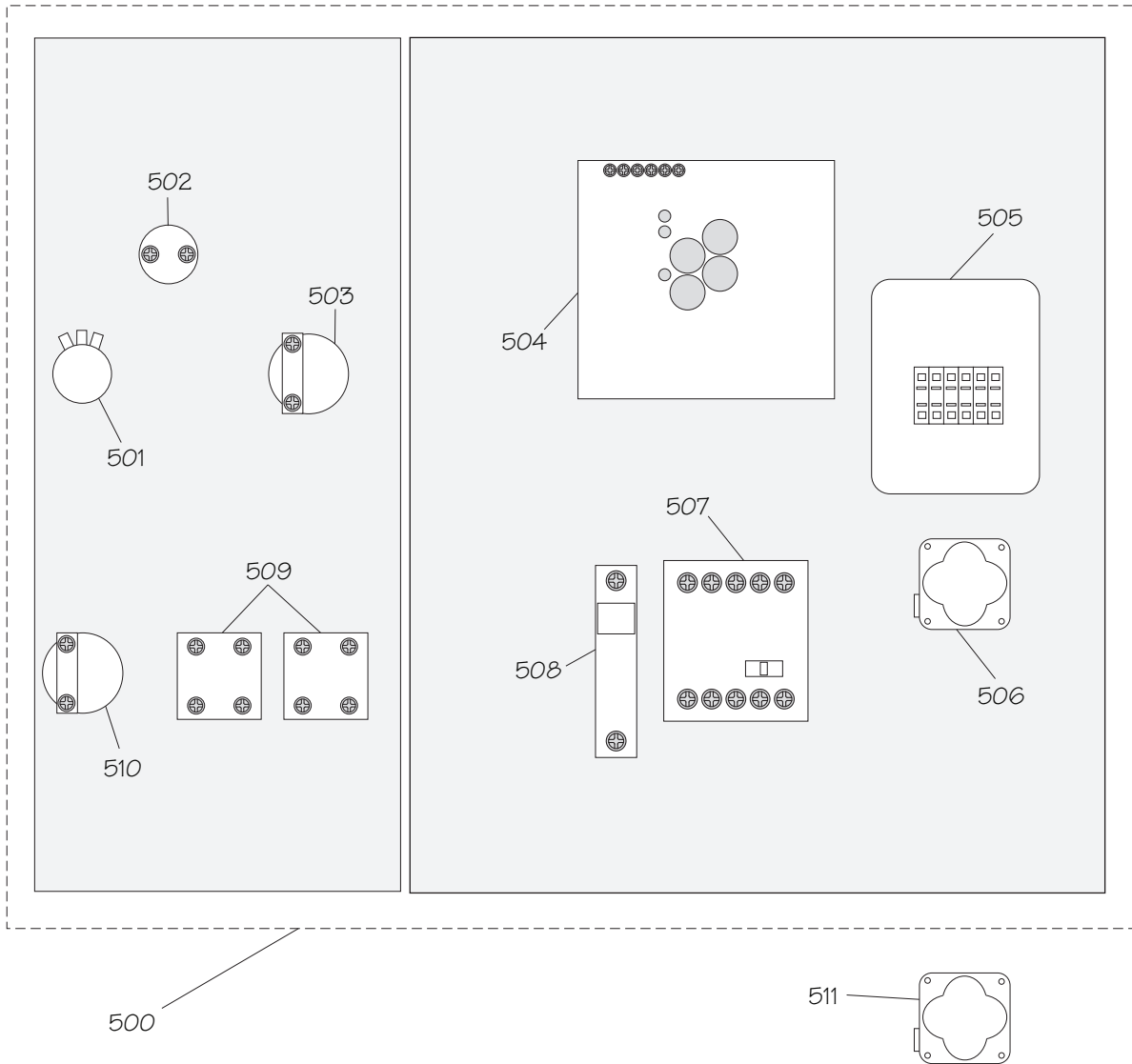
REF	PART #	DESCRIPTION
49-5	PNO1M	HEX NUT M6-1
50	PSB1020050	LIMIT SWITCH BRACKET
50-1	PSB1020050-1	LIMIT SWITCH
50-2	PS51M	PHLP HD SCR M4-.7 X 30
51	PSB1020051	SCALE
52	PSS02M	SET SCREW M6-1 X 6
53	PRIV009M	STEEL FLUTED RIVET 2 X 6MM
54	PSB1020054	RIGHT BLADE ADJUSTMENT BRACKET
55	PSS02M	SET SCREW M6-1 X 6
56	PBHS20M	BUTTON HD CAP SCR M8-1.25 X 30
58	PSB1020058	RIGHT BLADE GUARD
59	PW02M	FLAT WASHER 5MM
60	PS08M	PHLP HD SCR M5-.8 X 12
63	PCAP47M	CAP SCREW M10-1.5 X 40
64	PCAP64M	CAP SCREW M10-1.5 X 25
65	PSB1020065	HEAD PIVOT SHAFT
71	PSB1020071	MOTOR 1-1/2HP 220/440V 3PH
71-1	PK11M	KEY 6 X 6 X 40
71-2	PSB1020071-2	MOTOR FAN COVER
71-3	PSB1020071-3	MOTOR FAN
71-4	PSB1020071-4	MOTOR JUNCTION BOX
72	PB08M	HEX BOLT M6-1 X 20
73	PLW03M	LOCK WASHER 6MM
74	PSB1020074	GEAR BOX ASSEMBLY
75	PLW06M	LOCK WASHER 10MM
76	PCAP64M	CAP SCREW M10-1.5 X 25
77	PSB1020077	GEARBOX COVER
78	PSB1020078	HOSE FITTING 8MM X 1/4PT
79	PCAP28M	CAP SCREW M6-1 X 15
80	PSB1020080	3-WAY VALVE
81	PSB1020081	COOLANT TUBE 6 X 240MM
82	PSB1020082	COOLANT VALVE ASSEMBLY
83	PSB1020083	HOSE FITTING 6MM X 18PT
84	PSB1020084	COOLANT TUBE 6 X 800MM
85	PCAP64M	CAP SCREW M10-1.5 X 25
86	PSB1020086	DRIVE SHAFT WASHER
87	PK118M	KEY 8 X 7 X 50
88	PSB1020088	DRIVE SHAFT
89	PSB1020089	KEY 8 X 7 X 25
90	P6208ZZ	BALL BEARING 6208ZZ
91	PSB1020091	SPRING BRACKET
92	PSB1020092	EXTENSION SPRING
92-1	PSB1020092-1	SPRING CONNECTOR
93	PNO2M	HEX NUT M10-1.5
93-1	PSB1020093-1	BOLT CUSHION
94	PCAP173M	CAP SCREW M10-1.5 X 110
96	PSB1020096	IDLER WHEEL
99	PSB1020099	SPANNER NUT
100	PSB1020100	BLADE 0.032 X 1 X 108-1/8 5-8TPI

# Head Parts List

REF	PART #	DESCRIPTION
101	PSB1020101	DRIVE WHEEL
102	PSB1020102	DRIVE SHAFT FLAT WASHER
103	PB49M	HEX BOLT M12-1.75 X 20
104	PSB1020104	BLADE COVER
105	PSB1020105	KNOB BOLT M6-1 X 14
106	PW03M	FLAT WASHER 6MM
107	PS09M	PHLP HD SCR M5-.8 X 10
108	PSB1020108	HOSE CLIP 8MM
109	PCAP11M	CAP SCREW M8-1.25 X 16
202	PSB1020202	SPRING CLAMPING BOLT M10-1.5
202-1	PNO2M	HEX NUT M10-1.5
294	PSB1020294	BLADE BRUSH ASSEMBLY
294-1	PSB1020294-1	BRUSH BRACKET
294-2	PSB1020294-2	BRUSH
294-3	PB29M	HEX BOLT M6-1 X 30

REF	PART #	DESCRIPTION
294-4	PW03M	FLAT WASHER 6MM
294-5	PNO1M	HEX NUT M6-1
294-6	PW03M	FLAT WASHER 6MM
294-7	PBHS11M	BUTTON HD CAP SCR M6-1 X 10
298	PB73M	HEX BOLT M10-1.5 X 50
298-1	PW04M	FLAT WASHER 10MM
298-2	PNO2M	HEX NUT M10-1.5
300	PSB1020300	HYDRAULIC CYLINDER
300-1	PSB1020300-1	CYLINDER VALVE ASSEMBLY
301	PCAP173M	CAP SCREW M10-1.5 X 110
320	PSB1020320	HOSE CLAMP
321	PSB1020321	LIMIT SWITCH BRACKET
322	PSB1020322	LIMIT SWITCH
323	PCAP21M	CAP SCREW M4-.7 X 30

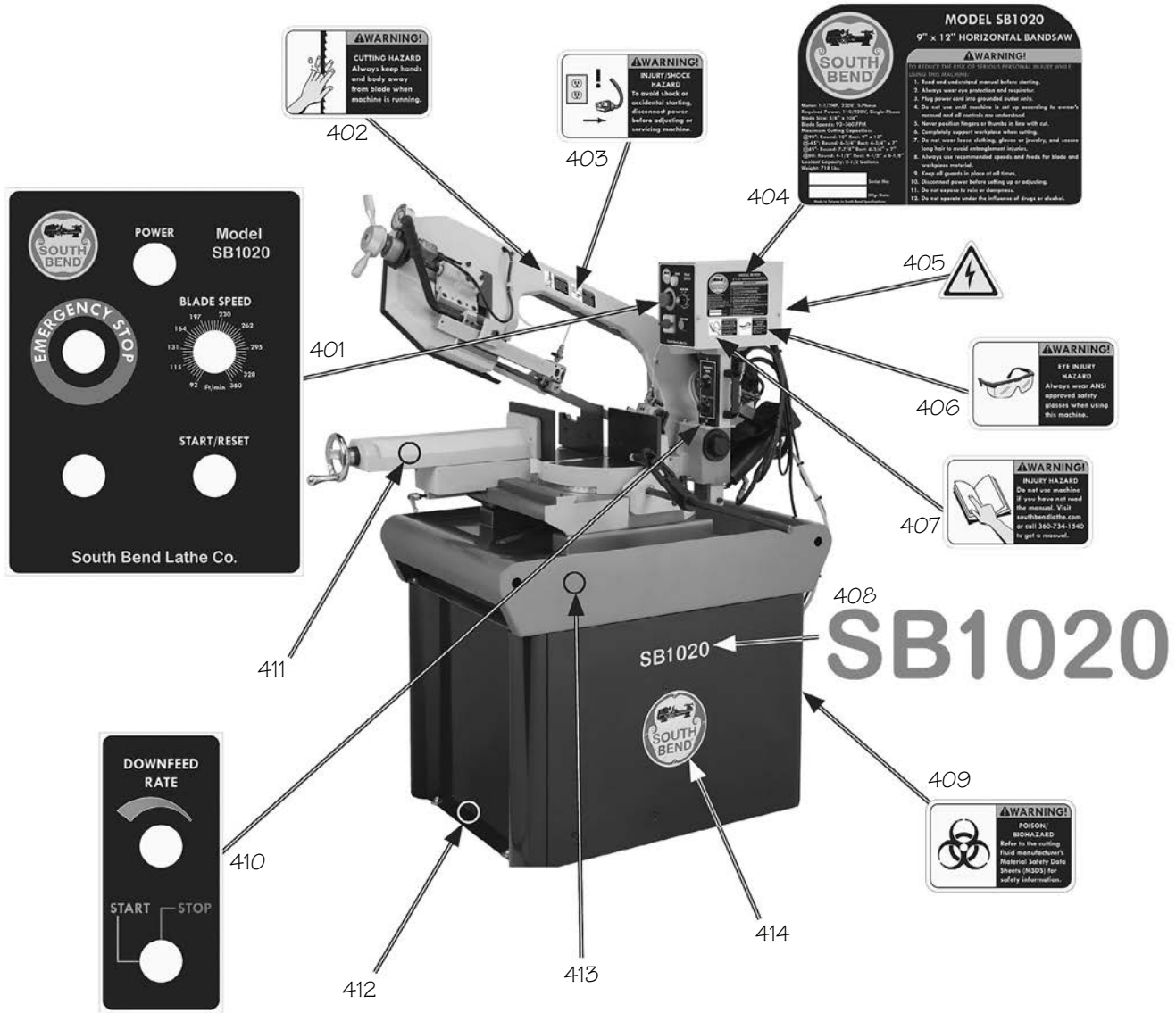
# Control Box



REF	PART #	DESCRIPTION
500	PSB1020500	CONTROL BOX ASSEMBLY
501	PSB1020501	BLADE SPEED DIAL
502	PSB1020502	POWER LAMP
503	PSB1020503	EMERGENCY STOP BUTTON
504	PSB1020504	VARIABLE FREQUENCY DRIVE RFVE 26D
505	PSB1020505	TRANSFORMER LCE TB6M 20VA

REF	PART #	DESCRIPTION
506	PSB1020506	CONTROL BOX COOLING FAN 115V
507	PSB1020507	CONTACTOR NHD C-06D10 110V
508	PSB1020508	FUSE LINK ETI VLC10
509	PSB1020509	ON/OFF SWITCH
510	PSB1020510	START BUTTON
511	PSB1020511	CONTROL BOX COOLING FAN 220V

# Machine Labels



REF	PART #	DESCRIPTION
401	PSB1020401	MAIN CONTROL PANEL LABEL
402	PSBLABEL14HL	CUTTING HAZARD LABEL
403	PSBLABELO2HL	SHOCK WARNING LABEL
404	PSB1020404	MACHINE ID LABEL
405	PSBLABEL15L	ELECTRICITY LABEL
406	PSBLABELO4HL	EYE INJURY HAZARD LABEL
407	PSBLABELO1HL	READ MANUAL LABEL

REF	PART #	DESCRIPTION
408	PSB1020408	MACHINE NUMBER LABEL
409	PSB1020409	BIOHAZARD WARNING LABEL
410	PSB1020410	DOWNFEED CONTROLS LABEL
411	PSBPAINTO1	SB GRAY TOUCH-UP PAINT
412	PSBPAINTO3	SB DARK BLUE TOUCH-UP PAINT
413	PSBPAINTO2	SB LIGHT BLUE TOUCH-UP PAINT
414	SB1320	SOUTH BEND NAMEPLATE 125MM

**⚠ WARNING**

The safety labels provided with your machine are used to make the operator aware of the machine hazards and ways to prevent injury. The owner of this machine **MUST** maintain the original location and readability of these safety labels. If any label is removed or becomes unreadable, **REPLACE** that label before using the machine again. Contact South Bend Lathe Co. at (360) 734-1540 or [www.southbendlathe.com](http://www.southbendlathe.com) to order new labels.