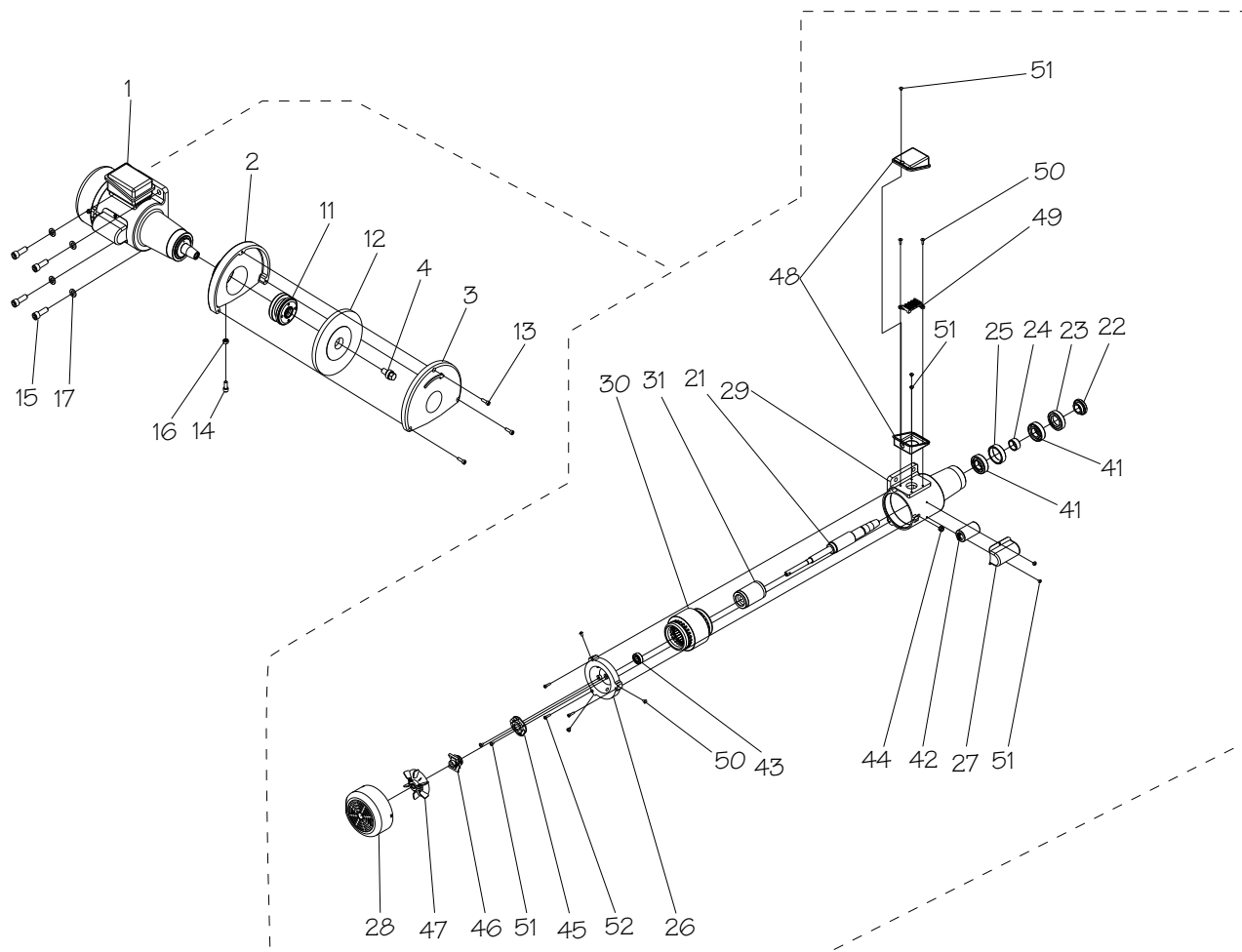


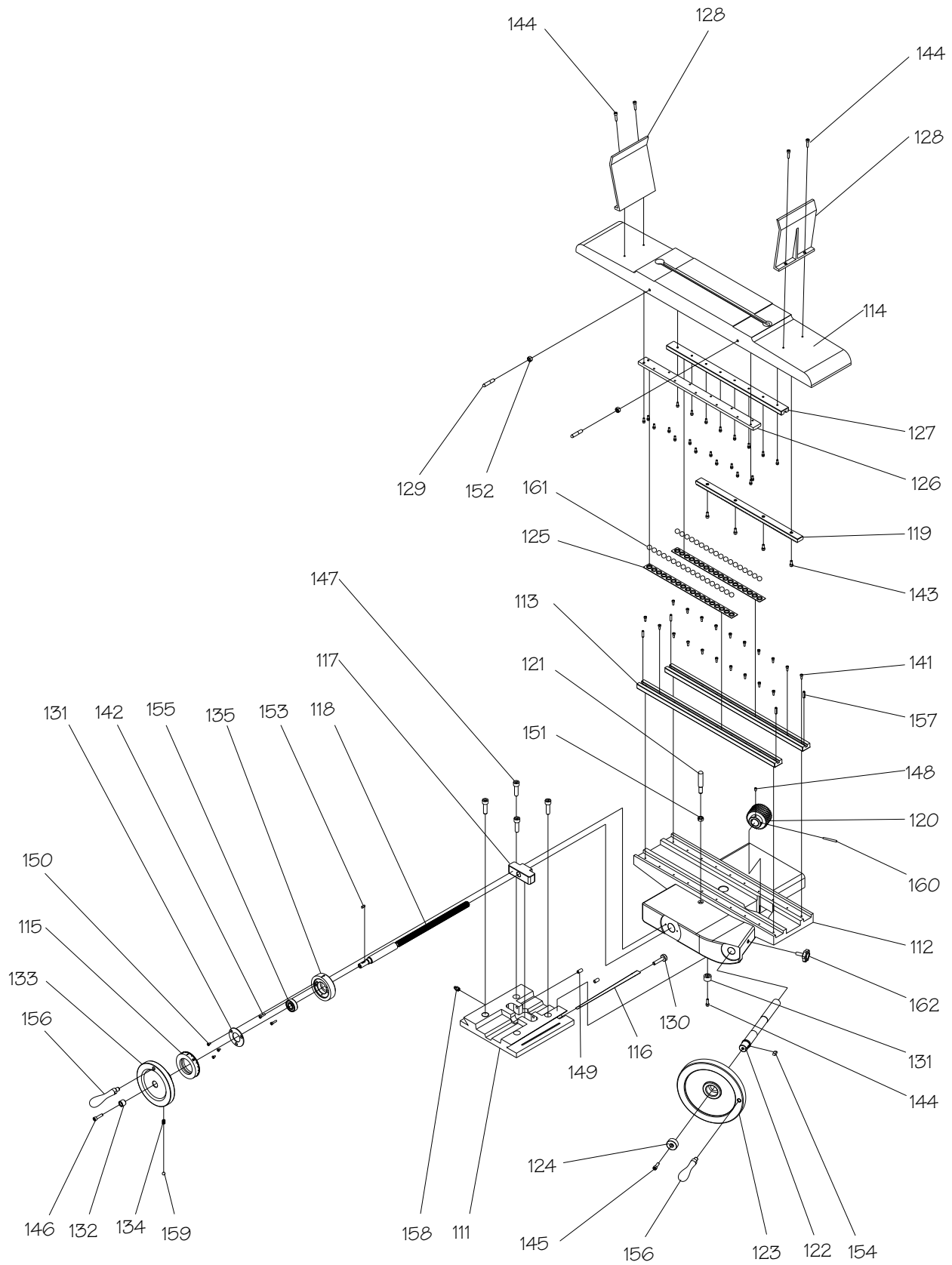
Motor/Spindle Breakdown & Parts List



REF	PART #	DESCRIPTION
1	PSB1023001	MOTOR 110/220V 3/4HP 1PH
2	PSB1023002	REAR GRINDING WHEEL COVER
3	PSB1023003	FRONT GRINDING WHEEL COVER
4	PSB1023004	ARBOR SCREW 1/2-20 X 13/16 LH
11	PSB1023011	WHEEL FLANGE ASSEMBLY
12	PSB1023012	GRINDING WHEEL 7"D X 1/2"W X 1-1/4"B
13	PCAP02M	CAP SCREW M6-1 X 20
14	PCAP14M	CAP SCREW M8-1.25 X 20
15	PCAP111M	CAP SCREW M12-1.75 X 35
16	PNO3M	HEX NUT M8-1.25
17	PLW05M	LOCK WASHER 12MM
21	PSB1023021	SPINDLE
22	PSB1023022	OUTER SPINDLE NUT
23	PSB1023023	INNER SPINDLE NUT
24	PSB1023024	OUTER SPINDLE SPACER
25	PSB1023025	INNER SPINDLE SPACER
26	PSB1023026	BEARING SEAT

REF	PART #	DESCRIPTION
27	PSB1023027	CAPACITOR COVER
28	PSB1023028	FAN COVER
29	PSB1023029	MOTOR BODY
30	PSB1023030	MOTOR COIL
31	PSB1023031	MOTOR ROTOR
41	P7206	ANGULAR CONTACT BALL BEARING 7206
42	PC200F	⊖ CAPACITOR 200M 125V 1-3/8 X 2-3/4
43	P6202ZZ	BALL BEARING 6202ZZ
44	PSB1023044	GROMMET
45	PSB1023045	CONTACT PLATE
46	PSB1023046	CENTRIFUGAL SWITCH
47	PSB1023047	MOTOR FAN
48	PSB1023048	JUNCTION BOX
49	PSB1023049	TERMINAL BLOCK
50	PS22	PHLP HD SCR 10-24 X 5/8
51	PS06	PHLP HD SCR 10-24 X 3/8
52	PCAP15M	CAP SCREW M5-.8 X 20

Table Breakdown



Column Breakdown

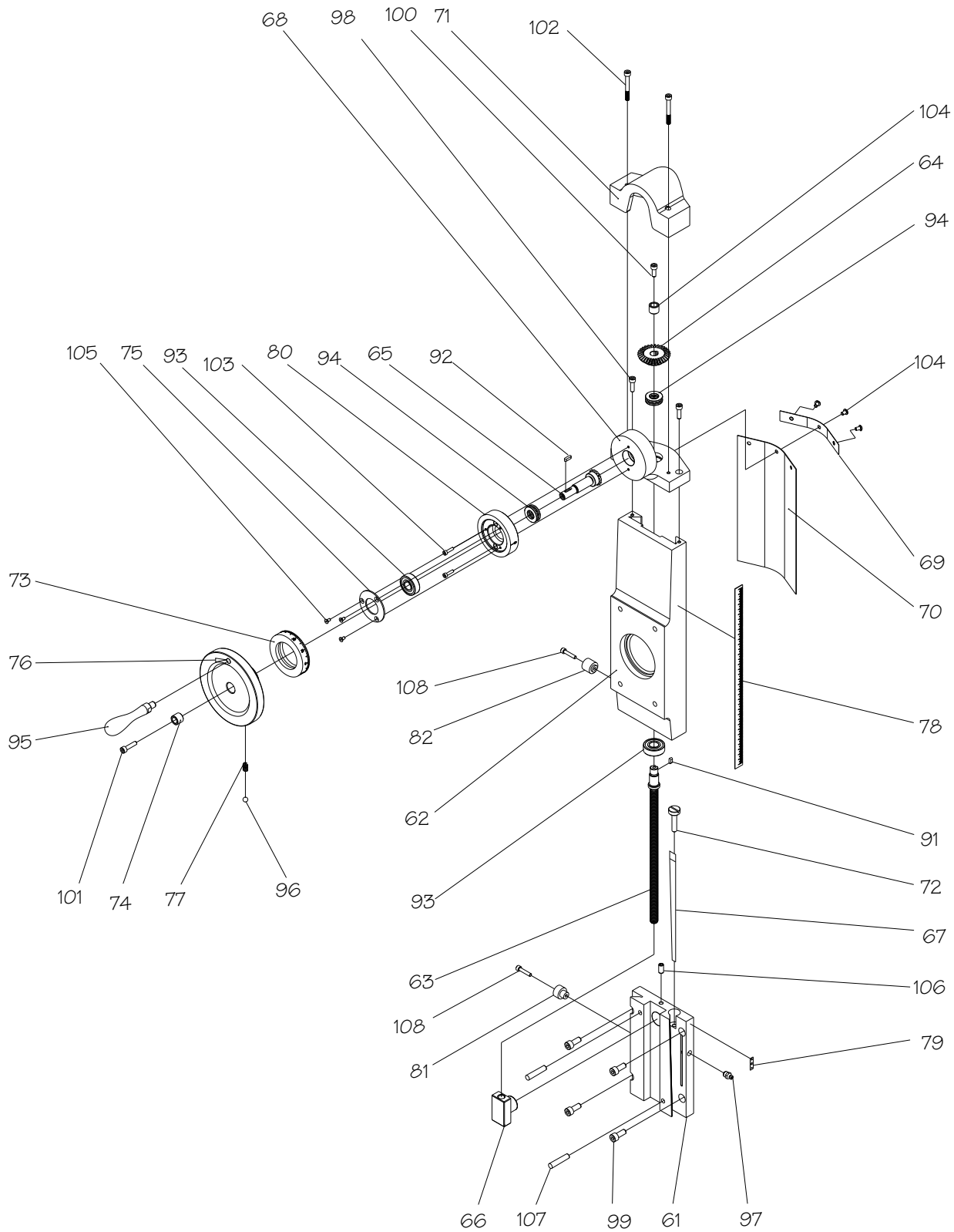


Table Parts List

REF	PART #	DESCRIPTION
111	PSB1023111	CROSS TRAVEL BASE
112	PSB1023112	TABLE BASE
113	PSB1023113	LOWER BEARING RACE
114	PSB1023114	TABLE
115	PSB1023115	CROSS HANDWHEEL INDEX COLLAR
116	PSB1023116	CROSS GIB
117	PSB1023117	CROSS LEADSCREW NUT
118	PSB1023118	CROSS LEADSCREW
119	PSB1023119	RACK
120	PSB1023120	CROSS FEED HELICAL GEAR
121	PSB1023121	LONGITUDINAL TRAVEL STOP
122	PSB1023122	LONGITUDINAL SHAFT
123	PSB1023123	LONGITUDINAL HANDWHEEL
124	PSB1023124	HANDWHEEL SPACER
125	PSB1023125	BEARING CAGE
126	PSB1023126	FRONT UPPER BEARING RACE
127	PSB1023127	REAR UPPER BEARING RACE
128	PSB1023128	SPARK STOP
129	PSB1023129	TRAVEL STOP
130	PSB1023130	GIB ADJUSTMENT SCREW
131	PSB1023131	BEARING RETAINING PLATE
132	PSB1023132	CROSS HANDWHEEL SPACER
133	PSB1023133	CROSS FEED HANDWHEEL
134	PSB1023134	COMPRESSION SPRING

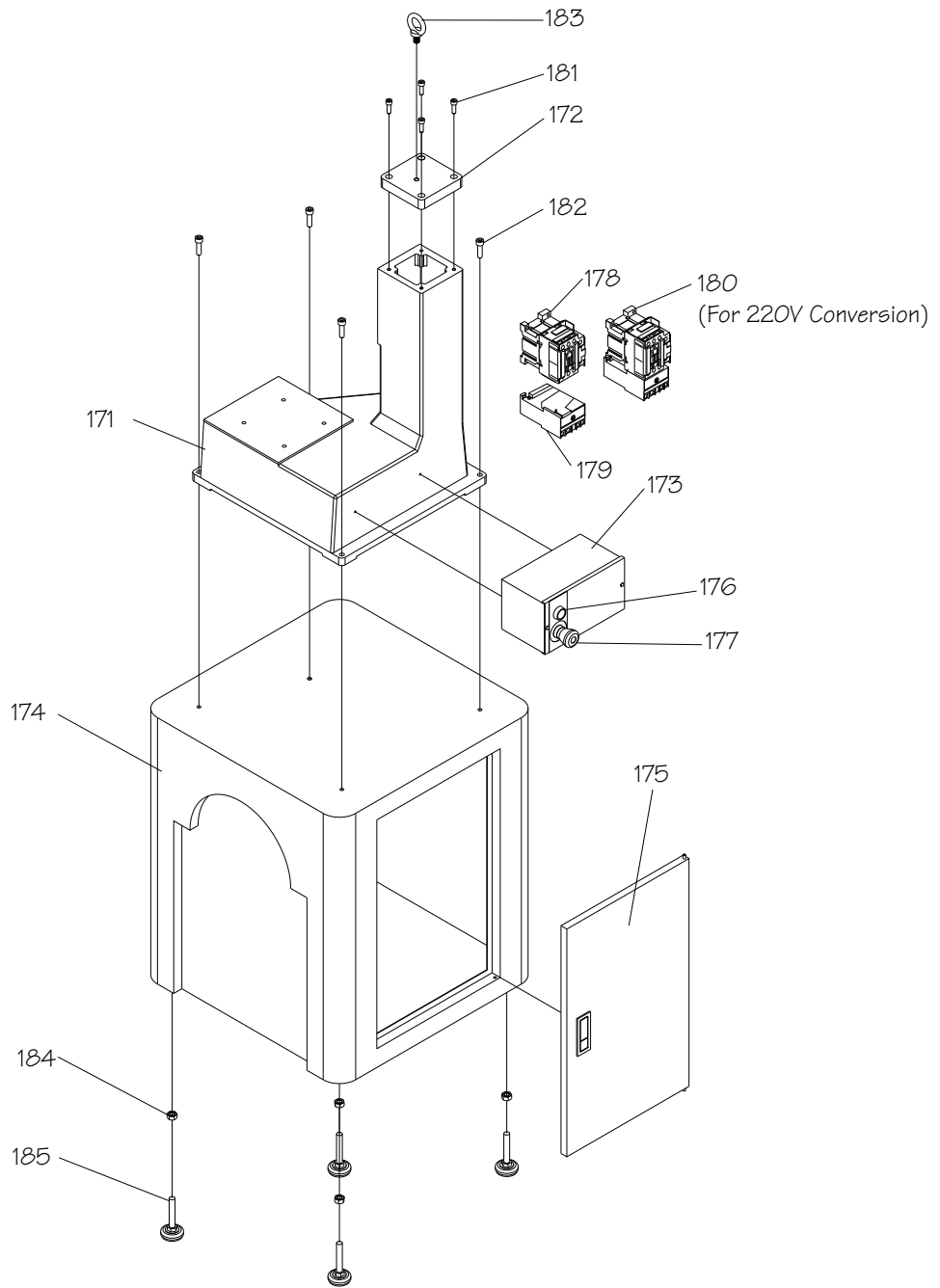
REF	PART #	DESCRIPTION
135	PSB1023135	BEARING SEAT
141	PCAP17M	CAP SCREW M4-.7 X 10
142	PCAP16M	CAP SCREW M4-.7 X 16
143	PCAP33M	CAP SCREW M5-.8 X 12
144	PCAP24M	CAP SCREW M5-.8 X 16
145	PCAP02M	CAP SCREW M6-1 X 20
146	PCAP06M	CAP SCREW M6-1 X 25
147	PCAP84M	CAP SCREW M10-1.5 X 35
148	PSG31M	SET SCREW M5-.8 X 8
149	PSG06M	SET SCREW M8-1.25 X 16
150	PFH31M	FLAT HD SCR M4-.7 X 8
151	PN11	HEX NUT 3/8-16
152	PN02	HEX NUT 5/16-18
153	PK69M	KEY 4 X 4 X 12
154	PK09	KEY 1/4 X 1/4 X 3/4
155	P620ZZ	BALL BEARING 620ZZ
156	PSB1023156	CROSS HANDWHEEL HANDLE
157	PRP03M	ROLL PIN 5 X 20
158	PSB1023097	ZERK FITTING 1/8" PT
159	PSB102396	STEEL BALL 8MM
160	PSB1023160	TAPER PIN M4 X 40
161	PSB1023161	HARDENED STEEL BALL 1/2"
162	PSB1023162	KNOB BOLT M8-1.25 X 21

Column Parts List

REF	PART #	DESCRIPTION
61	PSB1023061	COLUMN BASE
62	PSB1023062	COLUMN
63	PSB1023063	LEADSCREW
64	PSB1023064	BEVEL GEAR
65	PSB1023065	ELEVATION HANDWHEEL SHAFT
66	PSB1023066	LEADSCREW NUT
67	PSB1023067	COLUMN GIB
68	PSB1023068	HANDWHEEL MOUNTING BRACKET
69	PSB1023069	PLATE FOR RUBBER COVER
70	PSB1023070	RUBBER COVER
71	PSB1023071	TOP PLATE
72	PSB1023072	GIB ADJUSTMENT SCREW
73	PSB1023073	HANDWHEEL INDEX COLLAR
74	PSB1023074	ELEVATION HANDWHEEL SPACER
75	PSB1023075	HANDWHEEL COLLAR PLATE
76	PSB1023076	ELEVATION HANDWHEEL
77	PSB1023077	COMPRESSION SPRING
78	PSB1023078	ELEVATION SCALE
79	PSB1023079	ELEVATION INDICATOR
80	PSB1023080	BEARING SEAT

REF	PART #	DESCRIPTION
81	PSB1023081	LOWER VERTICAL TRAVEL STOP
82	PSB1023082	UPPER VERTICAL TRAVEL STOP
91	PK05M	KEY 4 X 4 X 10
92	PK134M	KEY 4 X 4 X 14
93	P620ZZ	BALL BEARING 620ZZ
94	P51102	THRUST BEARING 51102
95	PSB1023095	HANDWHEEL HANDLE
96	PSTB002M	STEEL BALL 8MM
97	PZERK005	ZERK FITTING 1/8" PT
98	PCAP02M	CAP SCREW M6-1 X 20
99	PCAP14M	CAP SCREW M8-1.25 X 20
100	PCAP01M	CAP SCREW M6-1 X 16
101	PCAP06M	CAP SCREW M6-1 X 25
102	PCAP37M	CAP SCREW M6-1 X 50
103	PCAP16M	CAP SCREW M4-.7 X 16
104	PSB1023104	LEADSCREW SPACER
105	PCAP11M	CAP SCREW M8-1.25 X 16
106	PSG06M	SET SCREW M8-1.25 X 16
107	PSB1023107	TAPER PIN M8 X 40
108	PCAP38M	CAP SCREW M5-.8 X 25

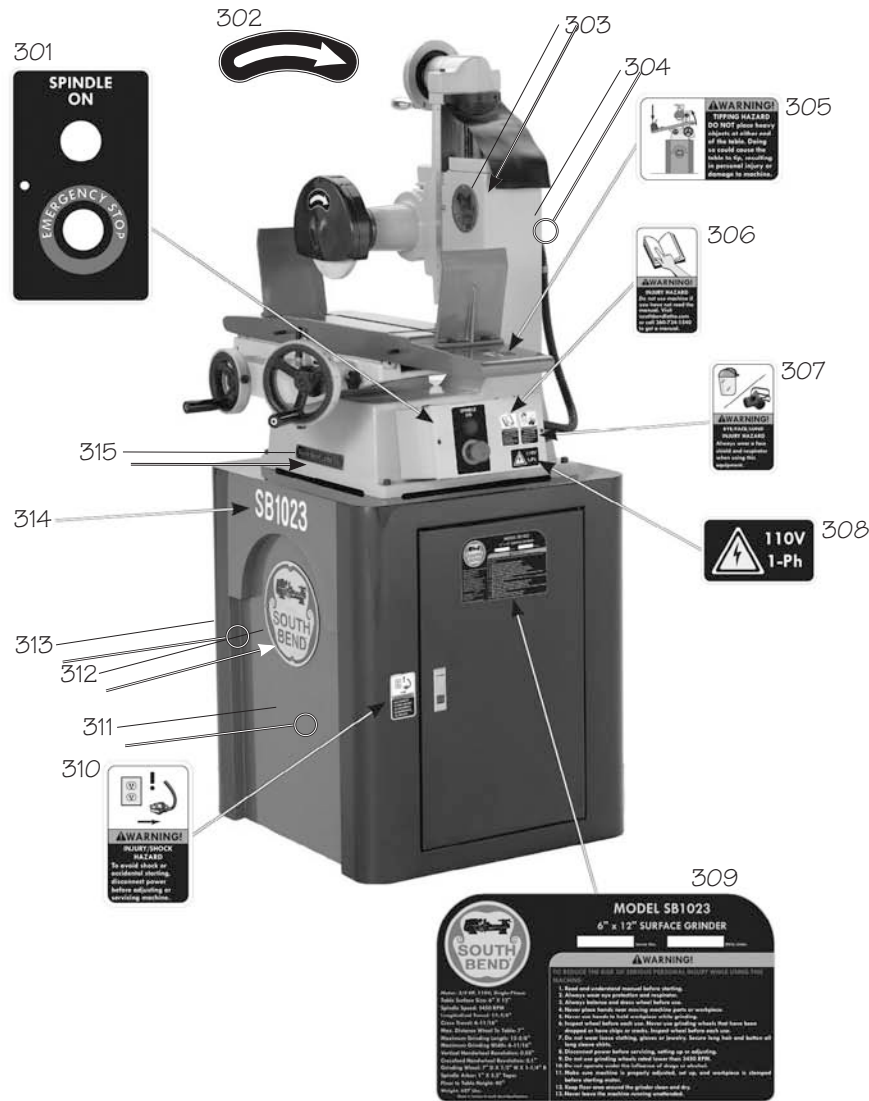
Stand Breakdown & List



REF	PART #	DESCRIPTION
171	PSB1023171	GRINDER BASE
172	PSB1023172	COLUMN CAP
173	PSB1023173	ELECTRICAL BOX
174	PSB1023174	STAND
175	PSB1023175	STAND DOOR
176	PSB1023176	ON BUTTON
177	PSB1023177	OFF BUTTON
178	PSB1023178	CONTACTOR AB C09-400 110V

REF	PART #	DESCRIPTION
179	PSB1023179	O/L RELAY AB 193TAC16 10-16A
180	PSB1023180	220V CONVERSION KIT
181	PCAP31M	CAP SCREW M8-1.25 X 25
182	PCAP84M	CAP SCREW M10-1.5 X 35
183	PSB1023183	LIFTING HOOK M12-1.75
184	PNO6	HEX NUT 1/2-13
185	PSB1023185	ADJUSTING FOOT

Machine Labels Breakdown & List



REF	PART #	DESCRIPTION
301	PSB1023301	CONTROL PANEL LABEL
302	PSB1023302	ROTATION LABEL
303	SB1317	SOUTH BEND NAMEPLATE 1 36MM
304	PSBPAINT01	SB GRAY TOUCH-UP PAINT
305	PSB1023305	TABLE TIP LABEL
306	PSBLABEL01VS	READ MANUAL LABEL
307	PSBLABEL09VS	FACESHIELD RESPIRATOR LABEL
308	PSB1023308	110V 1-PH LABEL

REF	PART #	DESCRIPTION
309	PSB1023309	MACHINE ID LABEL
310	PSBLABEL02YL	DISCONNECT POWER LABEL
311	PSBPAINT02	SB LIGHT BLUE TOUCH-UP PAINT
312	SB1321	SOUTH BEND NAMEPLATE 5 203MM
313	PSBPAINT03	SB DARK BLUE TOUCH-UP PAINT
314	PSB1023314	MODEL NUMBER LABEL
315	PSB1023315	SOUTH BEND LOGO RECT

⚠ WARNING

The safety labels provided with your machine are used to make the operator aware of the machine hazards and ways to prevent injury. The owner of this machine **MUST** maintain the original location and readability of these safety labels. If any label is removed or becomes unreadable, **REPLACE** that label before using the machine again. Contact South Bend Lathe Co. at (360) 734-1540 or www.southbendlathe.com to order new labels.