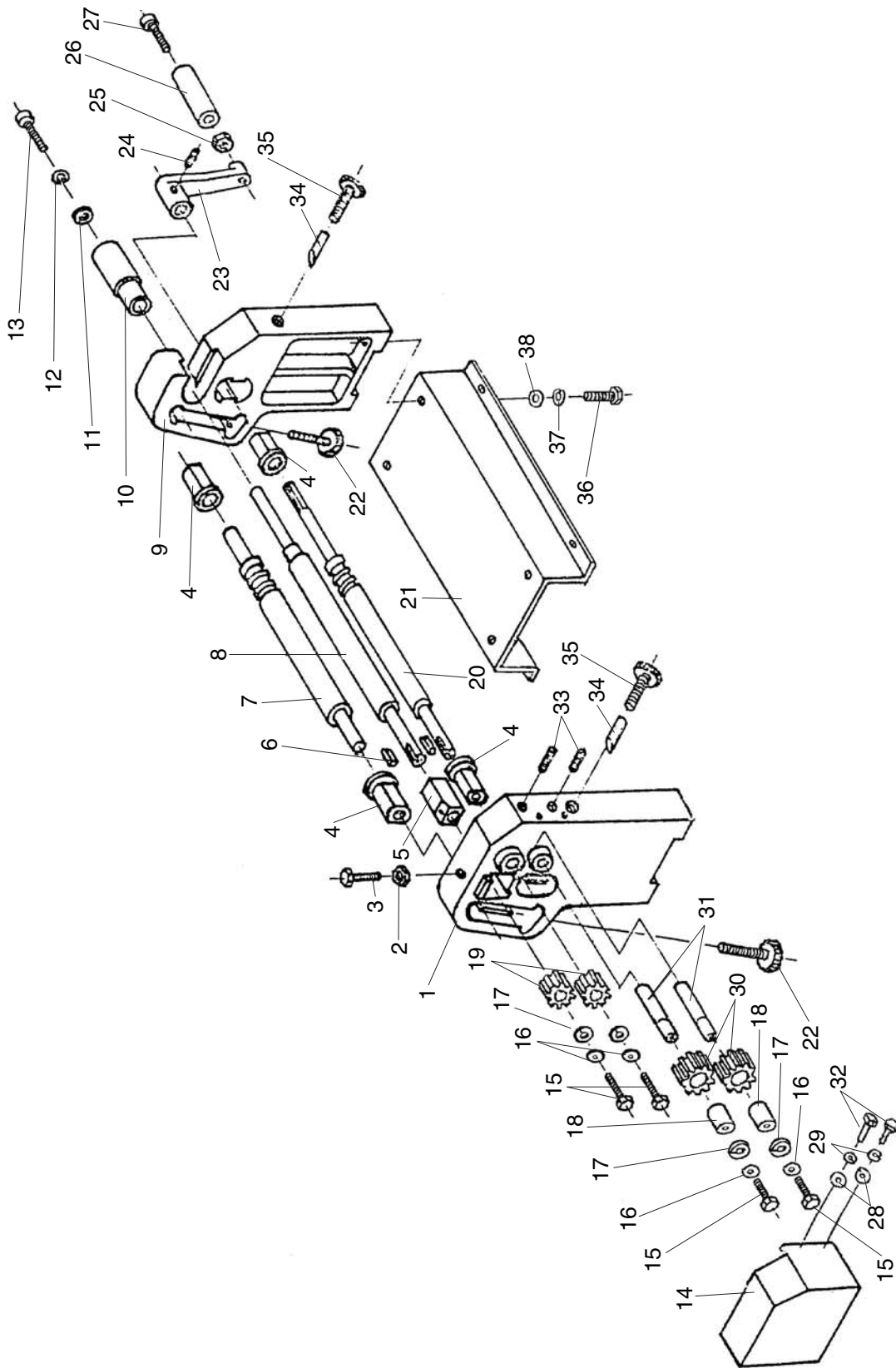


# T21324 Parts Breakdown



# T21324 Parts List

REF	PART #	DESCRIPTION
1	PT21324001	LEFT FRAME
2	PN09M	HEX NUT M12-1.75
3	PB35M	HEX BOLT M12-1.75 X 40
4	PT21324004	SUPPORT BUSHING
5	PT21324005	BUSHING BLOCK
6	PK48M	KEY 4 X 4 X 20
7	PT21324007	REAR ROLLER
8	PT21324008	TOP ROLLER
9	PT21324009	RIGHT FRAME
10	PT21324010	REMOVABLE BUSHING
11	PW01M	FLAT WASHER 8MM
12	PLW04M	LOCK WASHER 8MM
13	PSB11M	CAP SCREW M8-1.25 X 16
14	PT21324014	GEAR COVER
15	PB03M	HEX BOLT M8-1.25 X 16
16	PW01M	FLAT WASHER 8MM
17	PLW04M	LOCK WASHER 8MM
18	PT21324018	BALL BEARING 7942
19	PT21324019	PINION GEAR

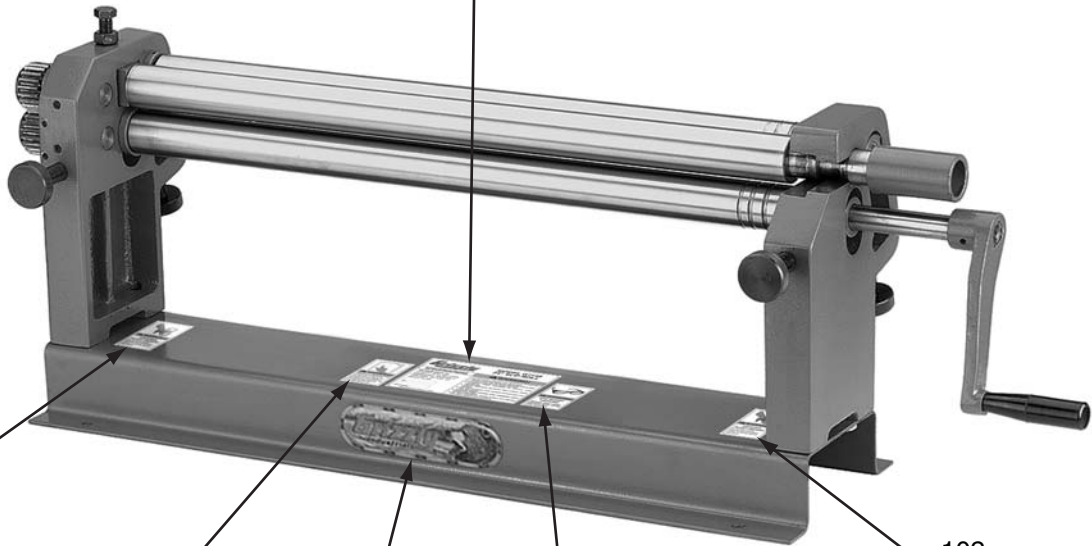
REF	PART #	DESCRIPTION
20	PT21324020	BOTTOM ROLLER
21	PT21324021	BASE
22	PT21324022	RADIUS ADJUST KNOB
23	PT21324023	CRANK
24	PSS01M	SET SCREW M6-1 X 10
25	PN02M	HEX NUT M10-1.5
26	PT21324026	CRANK HANDLE
27	PB127M	HEX BOLT M10-1.5 X 110
28	PW03M	FLAT WASHER 6MM
29	PLW03M	LOCK WASHER 6MM
30	PT21324030	GEAR
31	PT21324031	GEAR SHAFT
32	PB04M	HEX BOLT M6-1 X 10
33	PSS19M	SET SCREW M8-1.25 X 30
34	PT21324034	BEVELED PIN
35	PT21324035	THICKNESS ADJUST KNOB
36	PB49M	HEX BOLT M12-1.75 X 20
37	PW06M	FLAT WASHER 12MM
38	PLW05M	LOCK WASHER 12MM



# T21324 Labels

101

<b>Grizzly Industrial</b>		<b>MODEL T21324 24" SLIP ROLL</b>	
<b>SPECIFICATIONS</b>		<b>⚠ WARNING!</b>	
MAXIMUM WIDTH: 24" CAPACITY: 22 GA. MILD STEEL MINIMUM ROLL DIAMETER: 2" WIRE SIZES: 1/8", 3/16", 1/4" WEIGHT: 85 LBS _____ Date _____ Serial Number <small>Manufactured for Grizzly in China</small>		TO REDUCE THE RISK OF SERIOUS PERSONAL INJURY WHILE USING THIS MACHINE: 1. READ THE MANUAL BEFORE STARTING. 2. ALWAYS WEAR EYE PROTECTION. 3. ALWAYS KEEP GUARDS IN PLACE AND WORKING. 4. WEAR LEATHER GLOVES AND STEEL-TOED SHOES. 5. DO NOT EXCEED THE RATED CAPACITIES OF THIS MACHINE. 6. ALWAYS KEEP HANDS AND FINGERS AWAY FROM ROLLERS. 7. DO NOT OPERATE WHEN TIRED OR UNDER THE INFLUENCE OF ALCOHOL.	



102

**⚠ WARNING!**  
**CRUSHING INJURY HAZARD!**  
 Do not place hands between top and bottom rollers. Crushing injuries may occur.

102

**⚠ WARNING!**  
**CRUSHING INJURY HAZARD!**  
 Do not place hands between top and bottom rollers. Crushing injuries may occur.

105

**⚠ WARNING!**  
 READ and UNDERSTAND instruction manual to avoid serious injury. If a manual is not available, DO NOT use machine. Go to [www.grizzly.com](http://www.grizzly.com) or call (800) 523-4777.

104



103

**⚠ WARNING!**  
**EYE INJURY HAZARD!**  
 Always wear safety glasses when using this machine.

REF	PART #	DESCRIPTION
101	PT21324101	MACHINE ID LABEL
102	PT21323102	CRUSHING INJURY LABEL
103	PLABEL-11B	SAFETY GLASSES LABEL

REF	PART #	DESCRIPTION
104	PT21323104	GRIZZLY DOMED LABEL
105	PLABEL-12C	READ MANUAL LABEL

## ⚠ WARNING

Safety labels warn about machine hazards and ways to prevent injury. The owner of this machine **MUST** maintain the original location and readability of the labels on the machine. If any label is removed or becomes unreadable, **REPLACE** that label before using the machine again. Contact Grizzly at (800) 523-4777 or [www.grizzly.com](http://www.grizzly.com) to order new labels.

