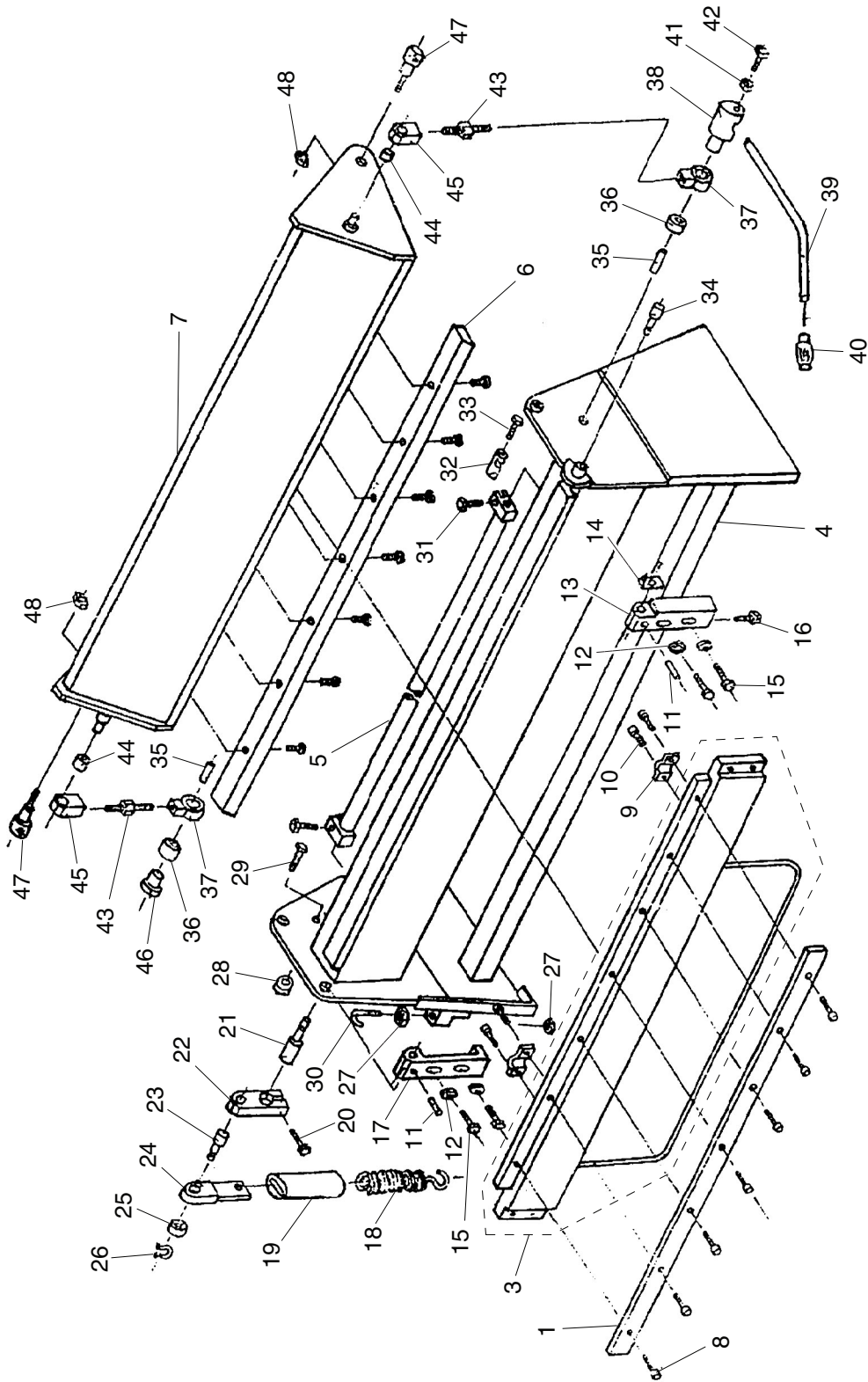


SECTION 7: PARTS

Parts Breakdown



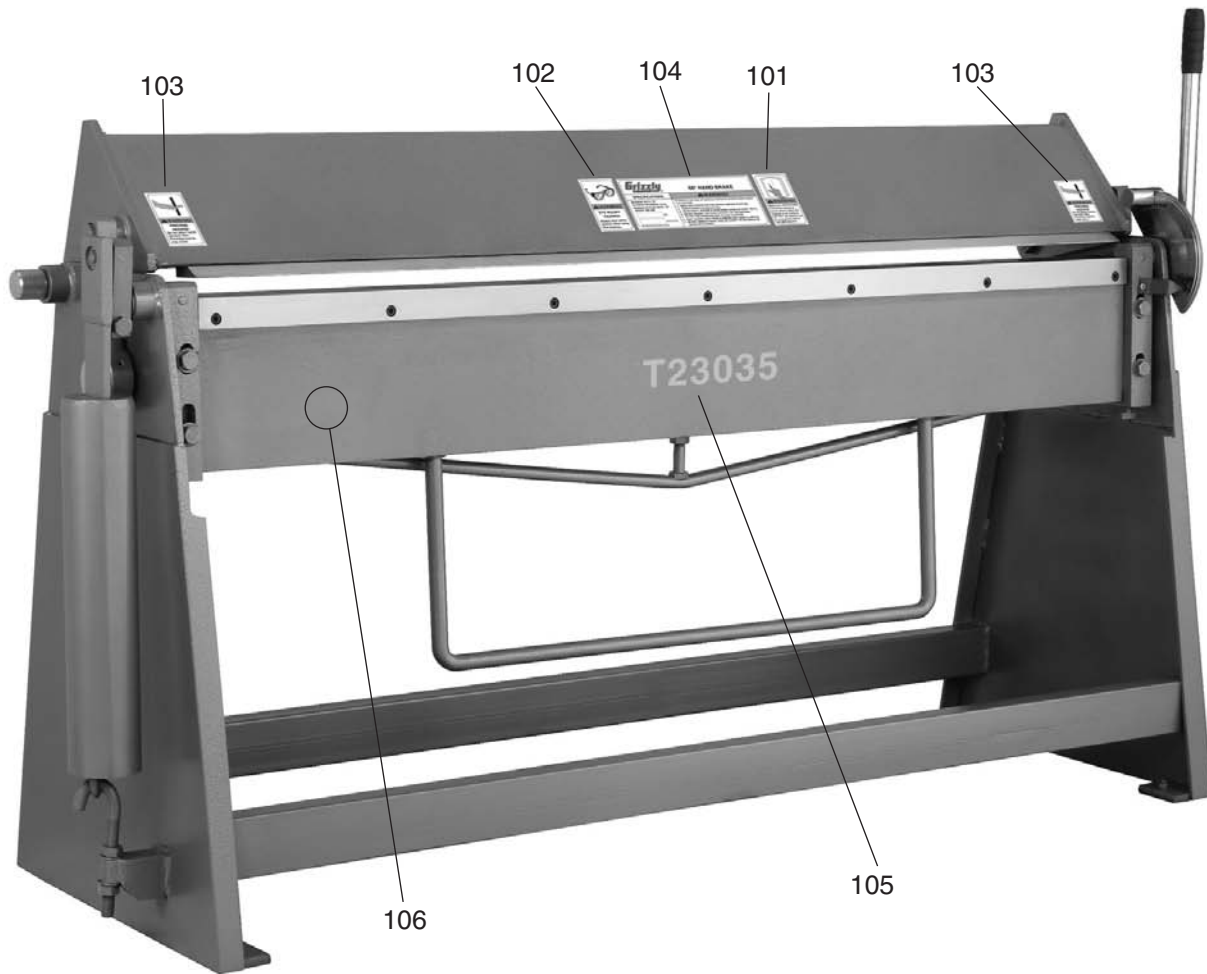
Parts List

REF	PART #	DESCRIPTION
1	PT23035001	LOWER BENDING DIE
3	PT23035003	BENDING LEAF ASSEMBLY
4	PT23035004	BODY
5	PT23035005	CONNECTING SHAFT
6	PT23035006	UPPER DIE
7	PT23035007	CLAMPING LEAF
8	PCAP14M	CAP SCREW M8-1.25 X 20
9	PT23035009	HANDLE CLAMP
10	PT23035010	HANDLE MOUNTING SCREW
11	PT23035011	LEAF BRACKET PIN
12	PW08M	FLAT WASHER 16MM
13	PT23035013	BENDING LEAF BRACKET RIGHT
14	PT23035014	POINTER
15	PB132M	HEX BOLT M16-2 X 40
16	PB132M	HEX BOLT M16-2 X 40
17	PT23035017	BENDING LEAF BRACKET LEFT
18	PT23035018	TENSION SPRING
19	PT23035019	SPRING COVER
20	PB132M	HEX BOLT M16-2 X 40
21	PT23035021	SPRING BRACKET SHAFT
22	PT23035022	SPRING BRACKET
23	PT23035023	SPRING POST
24	PT23035024	SPRING HANGER
25	P6301ZZ	BALL BEARING 6301ZZ

REF	PART #	DESCRIPTION
26	PR03M	EXT RETAINING RING 12MM
27	PN13M	HEX NUT M16-2
28	PT23035028	CAM
29	PB25M	HEX BOLT M12-1.75 X 25
30	PT23035030	HOOK BOLT M12-1.75 X 180
31	PB132M	HEX BOLT M16-2 X 40
32	PT23035032	ANGLE STOP
33	PB07M	HEX BOLT M8-1.25 X 25
34	PT23035034	SHAFT
35	PT23035035	SMALL SHAFT
36	PT23035036	LARGE BUSHING
37	PT23035037	BOTTOM TURNBUCKLE BRACKET
38	PT23035038	RIGHT ECCENTRIC SHAFT
39	PT23035039	HANDLE
40	PT23035040	HANDLE GRIP
41	PN09M	HEX NUT M12-1.75
42	PB25M	HEX BOLT M12-1.75 X 25
43	PT23035043	DOUBLE-END THREADED TURNBUCKLE
44	PT23035044	BUSHING
45	PT23035045	TOP TURNBUCKLE BRACKET
46	PT23035046	LEFT ECCENTRIC SHAFT
47	PT23035047	ECCENTRIC BOLT
48	PN28M	HEX NUT M20-2.5



Labels Breakdown and List



REF	PART #	DESCRIPTION
101	PBLABEL-12A	READ MANUAL LABEL VL
102	PLABEL-11A	SAFETY GLASSES VL
103	PT23035103	PINCHING HAZARD LABEL

REF	PART #	DESCRIPTION
104	PT23035104	MACHINE ID LABEL
105	PT23035105	MODEL NUMBER LABEL
106	PPAINT-1	GRIZZLY GREEN TOUCH-UP PAINT

WARNING

Safety labels warn about machine hazards and ways to prevent injury. The owner of this machine **MUST** maintain the original location and readability of the labels on the machine. If any label is removed or becomes unreadable, **REPLACE** that label before using the machine again. Contact Grizzly at (800) 523-4777 or www.grizzly.com to order new labels.

