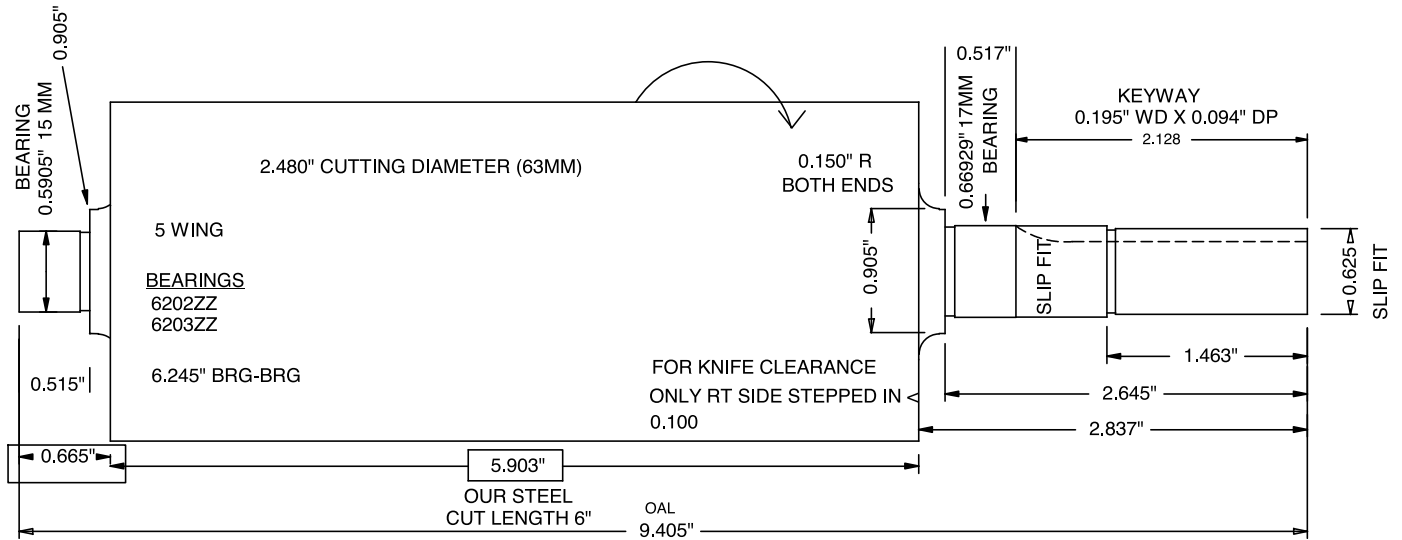


CUTTERHEAD DIMENSIONS FOR Grizzly H7764 (BYRD G6/63)



Replacement Inserts: Grizzly H7354
 Insert Size: 15 x 15 x 2.5mm
 Total # of Inserts: 30