

Model D2259A Mobile Base Extension Kit Instruction Sheet



Phone #: (360) 734-3482 • Online Tech Support: tech-support@shopfox.biz • Web: www.shopfox.biz

Introduction

Your new Model D2259A Mobile Base Extension Kit (Figure 1) is designed to install onto the Model D2260A, D2057A, or D2058A mobile base to provide a stable support platform for a machine and an extension table unit.

Specifications

- Minimum Extension Length 28¹/₂"
- Maximum Extension Length 45³/₄"
- Maximum Leg Span 32"

Tools

- Tape Measure 1
- Hacksaw or Metal Cutting Bandsaw 1
- Wrenches or Sockets 13mm or 1/2" 2
- Wrenches or Sockets 14mm or 9/16" 2

Inventory (Figure 2)

	Qty
A. Base Side Rail with Mounting Bracket.....	1
B. Mounting Bracket.....	1
C. Leg Support Channel.....	1
D. Swivel Casters.....	2
E. Extension Bar.....	1
F. Hardware Bag (not shown)	
–Hex Bolts M8-1.25 x 25 (Mounting Brackets).....	4
–Lock Nuts M8-1.25 (Mounting Brackets).....	4
–Hex Bolts M8-1.25 x 16 (Casters, Bracket).....	10
–Lock Washers 8mm (Casters, Bracket).....	10
–Flat Washers 8mm (Casters, Bracket).....	10
–Hex Nuts M8-1.25 (Casters).....	8
–Knobs M12-1.75 (Support Channel).....	2
–Feet (Support Channel).....	2

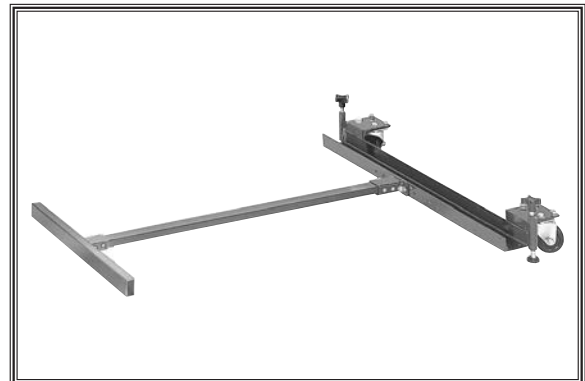


Figure 1. Model D2259A.

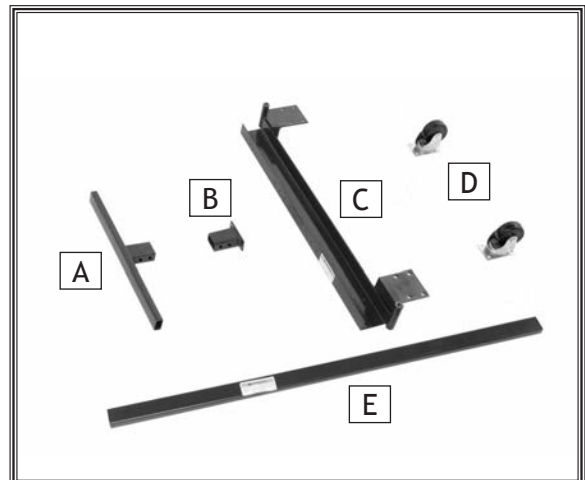


Figure 2. Inventory.

!WARNING

Do not use Model D2259A until you have read and understood this instruction sheet and completed entire assembly procedure. Serious personal injury may occur if you ignore this warning.

COPYRIGHT © JUNE, 2009 BY WOODSTOCK INTERNATIONAL, INC. REVISED JULY, 2014 (BL)

WARNING: NO PORTION OF THIS MANUAL MAY BE REPRODUCED IN ANY SHAPE OR FORM WITHOUT

#11864BL

THE WRITTEN APPROVAL OF WOODSTOCK INTERNATIONAL, INC.

Printed in China

Assembly

Follow the instructions that came with your Model D2260A, D2057A, or D2058A mobile base for preparing and assembling the mobile base.

To assemble extension kit, do these steps:

1. After sliding a side rail into each of the four corner brackets that you laid out while assembling your mobile base (see **Figure 3**), determine which side you will attach this kit to.
2. Remove one of the side rails from your mobile base assembly and replace it with the included base side rail with the rectangular mounting bracket (see **Figure 4**).

Model D2260 Only: Cut off an equal amount from each side of the base side rail so it is the same length as the rail you removed.

3. Secure base side rail to two corner brackets on your mobile base with (4) M8-1.25 x 25 hex bolts and 8mm lock nuts.
4. Mount swivel casters to corner brackets on leg support channel using (8) M8-1.25 x 16 hex bolts, 8mm flat washers, 8mm lock washers, and M8-1.25 hex nuts, as shown in **Figure 5**.
5. Thread each of the knobs into foot posts on ends of leg support channel, then insert a foot into bottom of each foot post. The knob should pick up magnetic shaft of foot when it gets close.
6. Install extension table onto machine—if you have not already done so.
7. Place support channel assembly under extension table legs, making sure swivel casters face out, then center legs along length of support channel, as shown in **Figure 6**.

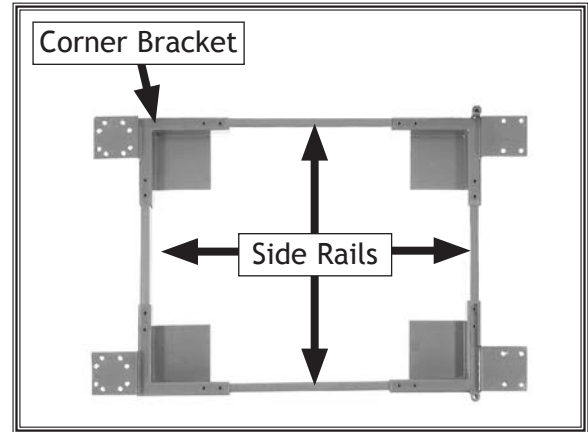


Figure 3. Side rails inserted into corner brackets.

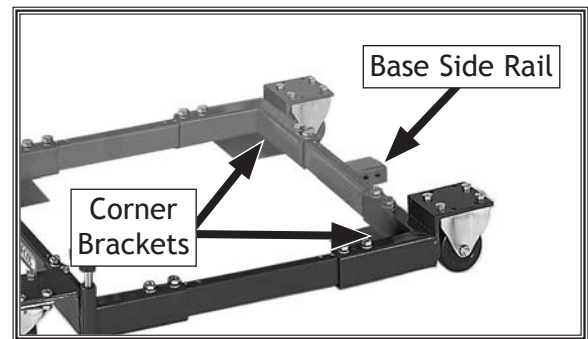


Figure 4. Side rail mounted to mobile base.

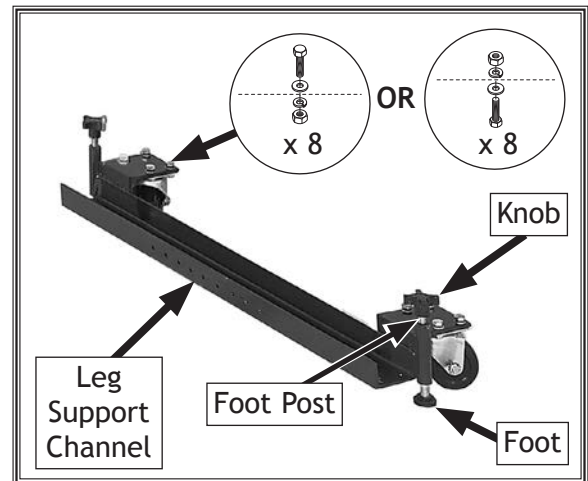


Figure 5. Casters and feet installed onto leg support channel.



Figure 6. Extension table legs in support channel.

8. Measure distance between outer edge of side rail and inside edge of support channel, as shown in **Figure 7**.
9. Cut extension bar to length you measured in **Step 8**. Be careful not to cut bar too short.
10. Place mounting bracket over one end of extension bar, then insert opposite end of bar into bracket on the side rail on mobile base.

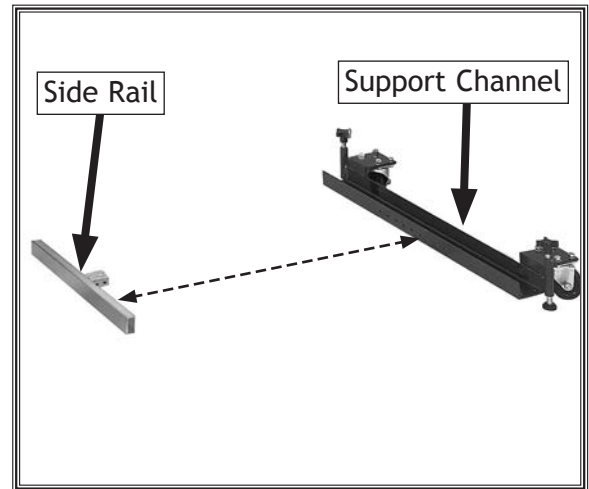


Figure 7. Measuring distance between side rail and support channel (mobile base and extension table not shown for clarity).

11. Lower extension bar and align mounting bracket with threaded holes on side of support channel, as shown in **Figure 8**.

Note: *It may be necessary to raise the support channel or reposition it side-to-side to align the bracket with the holes. It may help to place a wood shim between the floor and the support channel to raise the inner edge of the support channel.*

12. Secure mounting bracket to support channel using (2) M8-1.25 x 16 hex bolts, 8mm lock washers, and 8mm flat washers (see **Figure 8**).
13. Secure extension bar to support channel bracket and side rail bracket with (4) M8-1.25 x 25 hex bolts and 8mm lock nuts (see **Figure 9**).
14. Tighten all bolts.
15. Check extension table to make sure it is level with machine table surface. It may be necessary to slightly adjust leg length to assure extension table legs sit firmly on channel.

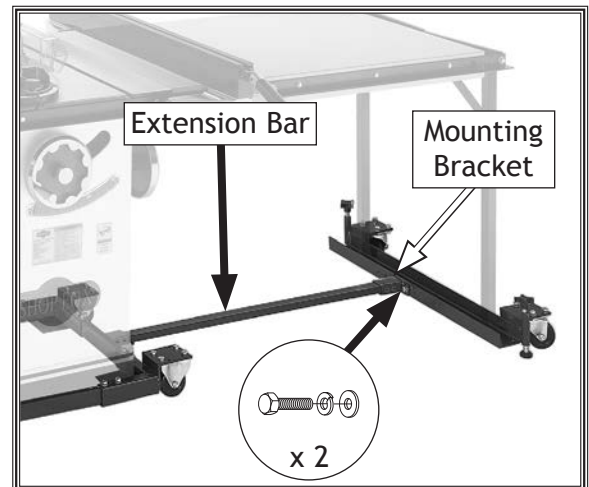


Figure 8. Extension bar attached.

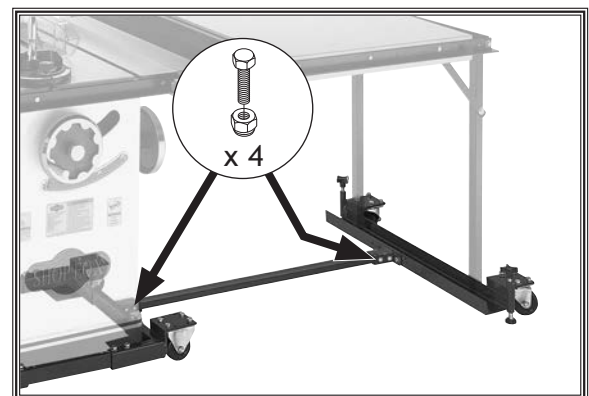
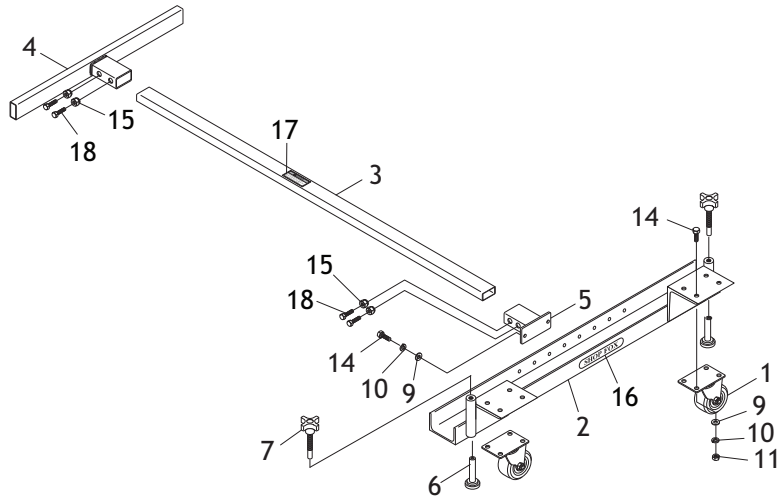


Figure 9. Extension bar secured to mobile base and support channel.

D2259A Parts



REF	PART #	DESCRIPTION
1	XD2259A001	SWIVEL CASTER
2	XD2259A002	LEG SUPPORT CHANNEL
3	XD2259A003	EXTENSION BAR
4	XD2259A004	SIDE RAIL W/MOUNTING BRACKET
5	XD2259A005	MOUNTING BRACKET
6	XD2259A006	FOOT WITH MAGNET
7	XD2259A007	KNOB M12-1.75
9	XD2259A009	FLAT WASHER 8MM

REF	PART #	DESCRIPTION
10	XD2259A010	LOCK WASHER 8MM
11	XD2259A011	HEX NUT M8-1.25
14	XD2259A014	HEX BOLT M8-1.25 X 16
15	XD2259A015	LOCK NUT M8-1.25
16	XD2259A016	SHOP FOX LOGO LABEL
17	XD2259A017	TIGHTEN FEET WARNING LABEL
18	XD2259A018	HEX BOLT M8-1.25 X 25