

Model D3304 Compact Super Heavy-Duty Workbench Leg System

Instruction Sheet

Phone #: (360) 734-3482 • Online Tech Support: tech-support@shopfox.biz • Web: www.shopfox.biz



Introduction

This Heavy-Duty Workbench Leg System features square-column steel legs with adjustable foot pads and steel cross braces for unparalleled strength and stability.

Inventory

A. Leg	4
B. Brace with Label.....	2
C. Brace	2
D. Adjustable Foot.....	4
E. Hex Bolt M12-1.75 x 25.....	16
F. Lock Washer 12MM	16
G. Flat Washer 12MM	16

To assemble workbench:

1. Attach legs to each side of each brace with label, ensuring ledges point up. Each set of pre-drilled holes is attached with a hex bolt, lock washer, and flat washer (see **Figure 2**).
2. Attach remaining braces to legs (as shown in **Figure 2**).

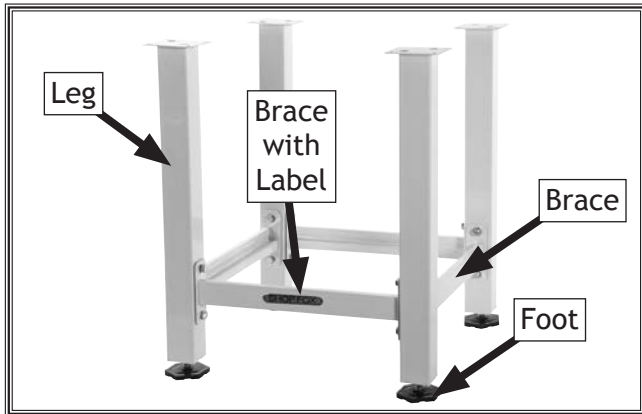


Figure 1. Completed leg assembly.



Figure 2. Completed leg assembly.

3. Final-tighten all bolts.
4. Install adjustable feet into bottom of each leg. Once table top is installed, feet can be further adjusted for stability (see **Figure 3**).

Specifications

- Size (without top) 32"H x 26"W x 26"D
- Lower Shelf Depth..... 3/4"
- Max. Weight Capacity..... 4000 lbs.

Assembly

We recommend having an assistant hold the pieces while you assemble the parts. Do not final-tighten stand bolts until all components have been assembled.



Figure 3. Completed workbench.

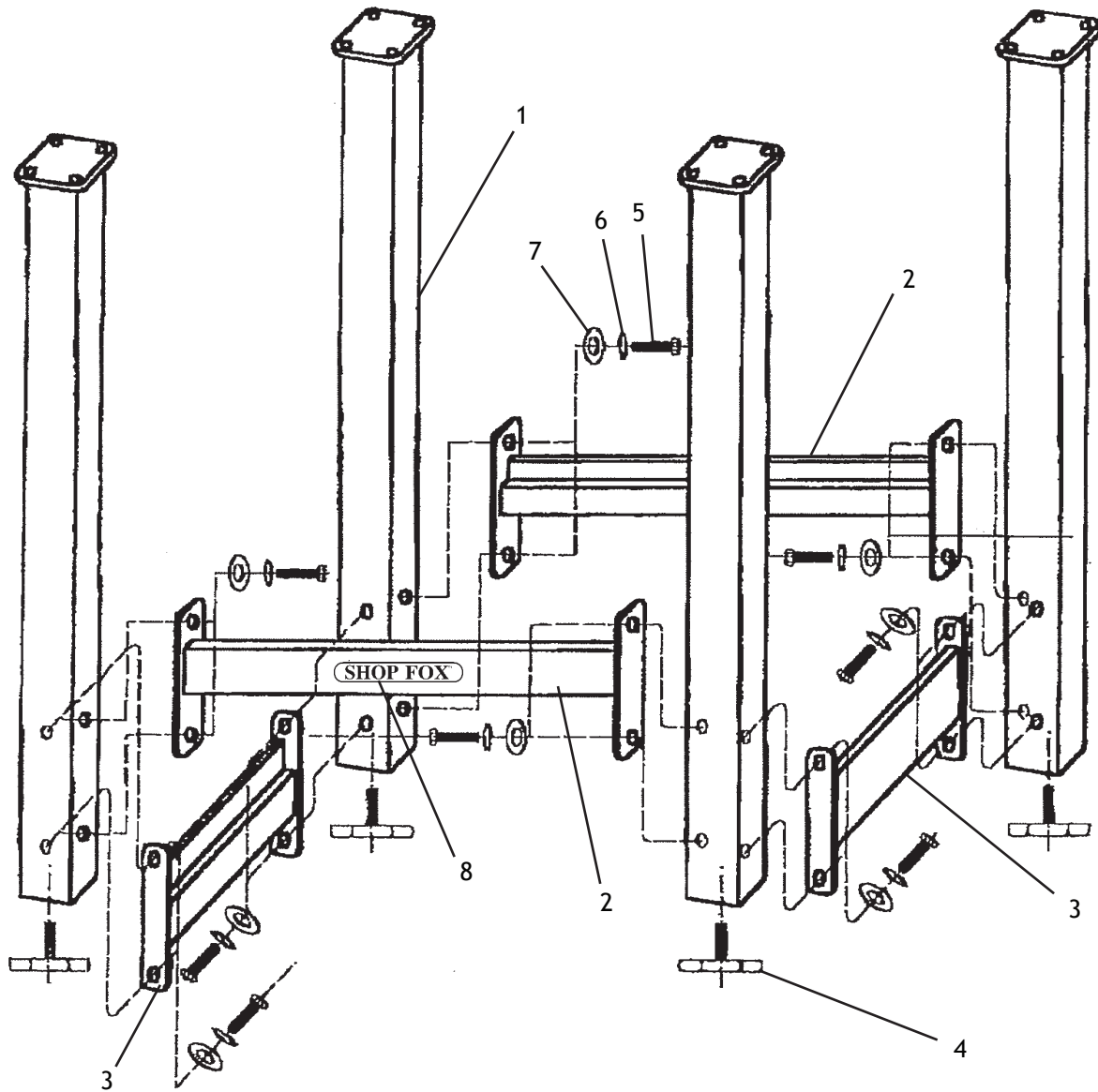
COPYRIGHT © AUGUST, 2016 BY WOODSTOCK INTERNATIONAL, INC.

WARNING: NO PORTION OF THIS MANUAL MAY BE REPRODUCED IN ANY SHAPE OR FORM WITHOUT THE WRITTEN APPROVAL OF WOODSTOCK INTERNATIONAL, INC.

#18308DN

Printed in China

PARTS



REF	PART #	DESCRIPTION
1	XD3304001	LEG
2	XD3304002	BRACE W/ SHOP FOX LOGO
3	XD3304003	BRACE
4	XD3304004	ADJUSTABLE RUBBER FOOT

REF	PART #	DESCRIPTION
5	XD3304005	HEX BOLT M12-1.75 X 25
6	XD3304006	LOCK WASHER 12MM
7	XD3304007	FLAT WASHER 12MM
8	XD3304008	SHOP FOX LOGO