

**Model D4159  
220V/240V ON/OFF  
Paddle Switch  
Instruction Sheet**



Phone #: (360) 734-3482 • Online Tech Support: tech-support@shopfox.biz • Web: www.shopfox.biz

**! WARNING**

To reduce risk of serious burns, electrocution or death when installing this switch:

- Only use this switch to replace an existing machine switch that has the same physical configuration and equivalent electrical specifications/ratings.
- Installation must only be performed by an electrician or qualified service personnel, and all applicable electrical codes must be adhered to.
- Turn *OFF* and completely disconnect all power sources to the machine before installing the switch.
- Do not use this switch in wet or damp locations, or near explosive fumes or flammable liquids. It is not sealed or rated for these environments.
- Make sure there is a verified machine ground on the circuit this switch is installed.



Figure 1. D4159 220V/240V ON/OFF Paddle Switch.

**Introduction**

The Model D4159 features a recessed ON (–) button that can be disabled with a padlock, and a large OFF paddle that ensures fast shut-off. The switch assembly will mount on a standard electrical box, or over a 1" x 2" opening.

**Specifications**

Rated HP .....	2 HP
Rated Voltage .....	220V/240V
Rated Current .....	16A
Padlock Shaft Size .....	$\frac{3}{16}$ "

**COPYRIGHT © MAY, 2014 BY WOODSTOCK INTERNATIONAL, INC.**

**WARNING: NO PORTION OF THIS MANUAL MAY BE REPRODUCED IN ANY SHAPE OR FORM WITHOUT**

#16601TS

**THE WRITTEN APPROVAL OF WOODSTOCK INTERNATIONAL, INC.**


Printed in China

## Installation

When installing the D4159 switch, use the wiring diagram in **Figure 2** to ensure proper wire connections.

**⚠ WARNING**

This switch is intended to be connected to stranded wire with insulated quick-disconnect crimp-type female wire terminals having a 1/4" tab.



All crimps must be "pull-checked" to ensure that wires are securely crimped and will not fall out with moderate tension or when exposed to normal machine vibration.

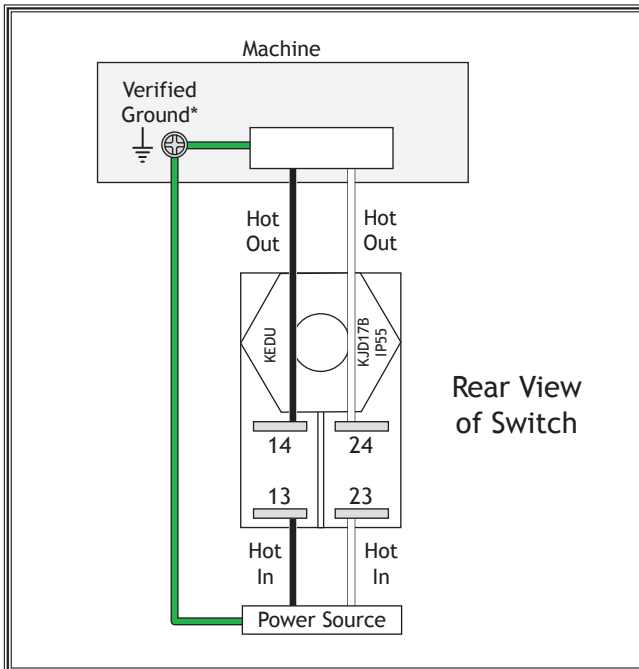


Figure 2. D4159 wiring diagram.

\*The machine **MUST** be connected to a verified ground. In the event of certain malfunctions or breakdowns, grounding reduces the risk of electric shock by providing a path of least resistance for electric current.

## Disabling & Locking Switch

The switch can be disabled and locked by inserting a padlock through the ON/START button, as shown. Locking the switch in this manner can prevent unauthorized operation of the machine, which is especially important if the machine is not stored inside an access-restricted building.

**IMPORTANT:** Locking the switch with a padlock only restricts its function. It is not a substitute for disconnecting power from the machine when adjusting or servicing.

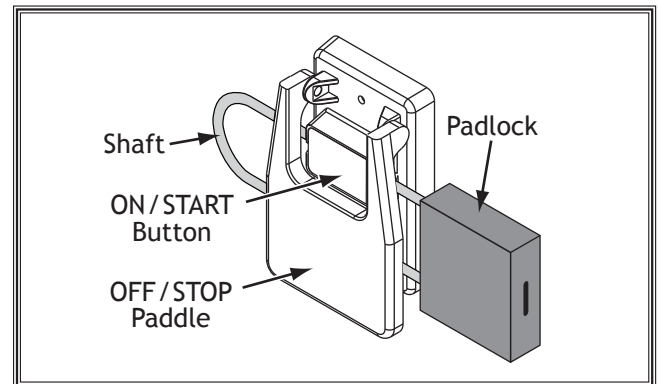


Figure 3. Switch disabled by padlock.

**⚠ WARNING**

Children or untrained people can be seriously injured by this machine. This risk increases with unsupervised operation. To help prevent unsupervised operation, disable and lock the switch before leaving machine unattended! Place key in a well-hidden or secure location.

**NOTICE**

The padlock shaft diameter is important to the disabling function of the switch. With any padlock used to lock the switch, test the switch after installation to ensure that it is properly disabled.

