

# Model D4163 Toggle Safety Switch Instruction Sheet



Phone #: (360) 734-3482 • Online Tech Support: tech-support@shopfox.biz • Web: www.shopfox.biz

## **!WARNING**

To reduce risk of serious burns, electrocution or death when installing this switch:

- Only use this switch to replace an existing machine switch that has the same physical configuration and equivalent electrical specifications/ratings.
- Installation must only be performed by an electrician or qualified service personnel, and all applicable electrical codes must be adhered to.
- Turn *OFF* and completely disconnect all power sources to the machine before installing the switch.
- Do not use this switch in wet or damp locations, or near explosive fumes or flammable liquids. It is not sealed or rated for these environments.
- Make sure there is a verified machine ground on the circuit this switch is installed.

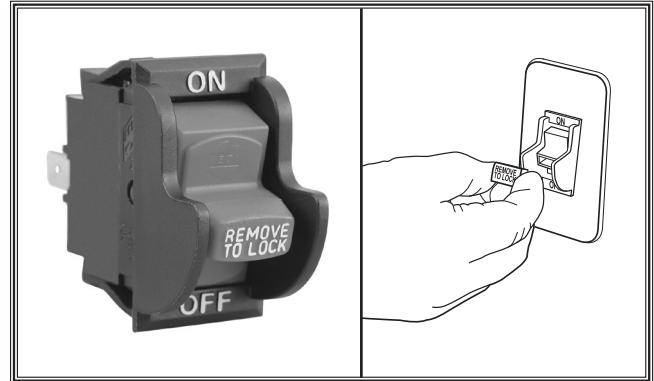


Figure 1. D4163 Toggle Safety Switch.

## Introduction

The Model D4163 features a ON/OFF toggle with a removable safety key that can be used to disable the switch. This switch is designed to fit a  $\frac{7}{8}$ " x  $1\frac{5}{8}$ " rectangular hole.

## Specifications

Rated Voltage ..... 125V/250V  
Rated Current at 125V ..... 20A  
Rated Current at 250V ..... 12A

**COPYRIGHT © MAY, 2014 BY WOODSTOCK INTERNATIONAL, INC.**

**WARNING: NO PORTION OF THIS MANUAL MAY BE REPRODUCED IN ANY SHAPE OR FORM WITHOUT  
THE WRITTEN APPROVAL OF WOODSTOCK INTERNATIONAL, INC.**

#16596TS


Printed in China

## Installation

When installing the D4163 switch, use the wiring diagram in **Figure 2** to ensure proper wire connections.

**⚠ WARNING**

This switch is intended to be connected to stranded wire with insulated quick-disconnect crimp-type female wire terminals having a 1/4" tab.



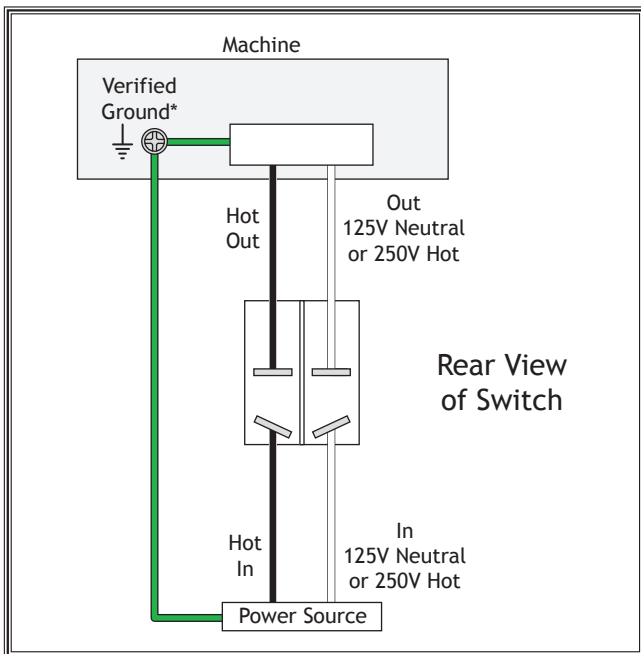
All crimps must be "pull-checked" to ensure that wires are securely crimped and will not fall out with moderate tension or when exposed to normal machine vibration.

## Operation

To turn the switch **ON**, make sure the safety key is properly inserted, then flip the toggle up.

To turn the switch **OFF**, flip the toggle down.

To disable the switch, turn the switch **OFF**, then pull the key from the center of the switch and store it in a well hidden or secure location.



**Figure 2.** D4163 wiring diagram.

\*The machine **MUST** be connected to a verified ground. In the event of certain malfunctions or breakdowns, grounding reduces the risk of electric shock by providing a path of least resistance for electric current.