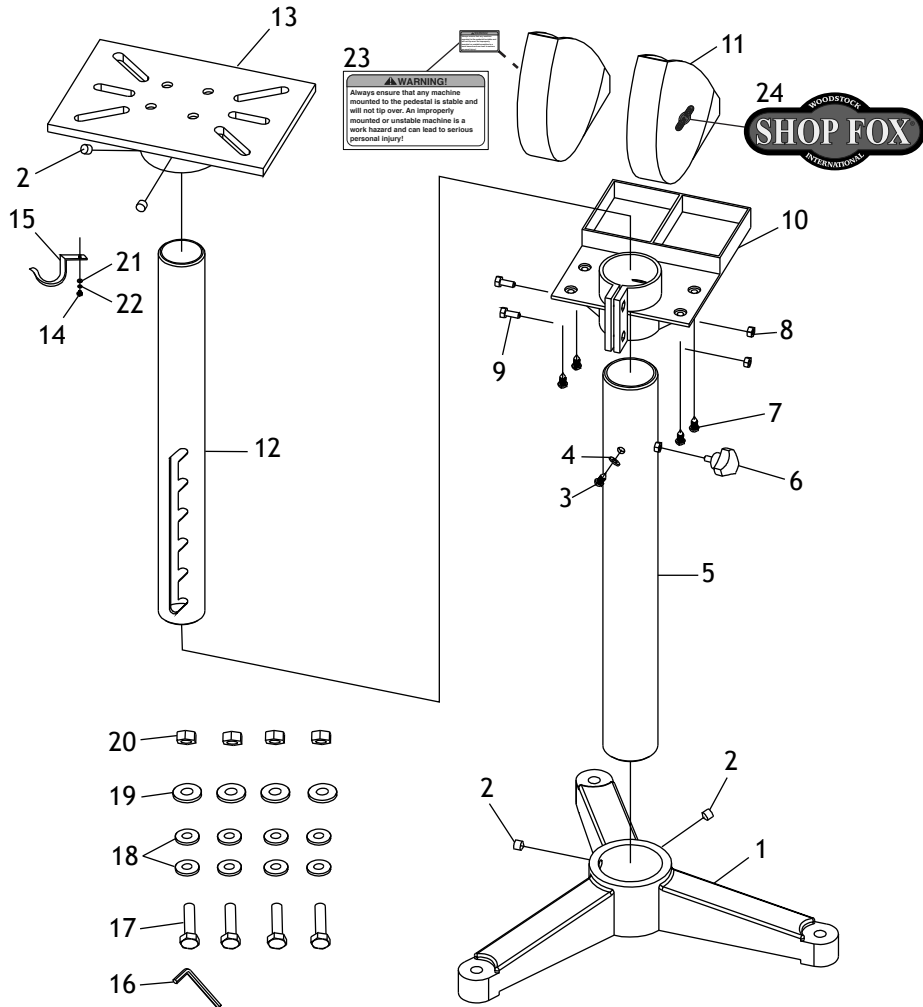


Model D4296 Adjustable Bench Grinder Stand Parts List



Phone #: (360) 734-3482 • Tech Support: techsupport@woodstockint.com • Web: www.woodstockint.com



REF PART #	DESCRIPTION
1	XD4296001 BASE
2	XD4296002 SET SCREW M10-1.5 X 10
3	XD4296003 PHLP HD SCR M6-1 X 20
4	XD4296004 LOCK WASHER 6MM
5	XD4296005 BOTTOM VERTICAL SUPPORT
6	XD4296006 KNOB BOLT M6-1 X 18, 3-LOBE, D30
7	XD4296007 TAP SCREW M6 X 16
8	XD4296008 HEX NUT M6-1
9	XD4296009 HEX BOLT M6-1 X 20
10	XD4296010 ACCESSORY STORAGE COMPARTMENT
11	XD4296011 WHEEL STORAGE COMPARTMENT
12	XD4296012 TOP VERTICAL SUPPORT

REF PART #	DESCRIPTION
13	XD4296013 BENCH GRINDER MOUNTING PLATE
14	XD4296014 PHLP HD SCR M4-.7 X 8
15	XD4296015 CORD CLIP
16	XD4296016 HEX WRENCH 5MM
17	XD4296017 HEX BOLT M6-1 X 20
18	XD4296018 FLAT WASHER 6MM
19	XD4296019 FENDER WASHER 6MM
20	XD4296020 HEX NUT M6-1
21	XD4296021 FLAT WASHER 4MM
22	XD4296022 LOCK WASHER 4MM
23	XD4296023 WARNING LABEL
24	XD4296024 SHOP FOX LABEL

COPYRIGHT © MARCH, 2019 BY WOODSTOCK INTERNATIONAL, INC.

WARNING: NO PORTION OF THIS MANUAL MAY BE REPRODUCED IN ANY SHAPE OR FORM WITHOUT THE WRITTEN APPROVAL OF WOODSTOCK INTERNATIONAL, INC.

#20317RS

Printed in USA