



# MODEL G0863 GRIZZLY GROWLER CYCLONE SEPARATOR INSTRUCTIONS

For questions or help with this product contact Tech Support at (570) 546-9663 or techsupport@grizzly.com

## Introduction

The Grizzly Growler creates a cyclone of incoming air that separates heavy wood chips and large dust particles, increasing the performance of your single-stage dust collector, and resulting in less suction loss from dirty or clogged filters.

## Inventory

Description	Qty
A. Collection Drum.....	1
B. Cyclone Funnel w/Band Clamp.....	1
C. Intake Barrel.....	1
D. Collection Drum Lid.....	1
E. Vacuum Hose 1½" x 67".....	1
F. Inlet Adapter 6" x 4" x 2.....	1
G. Vacuum Ring.....	1
H. Universal Reducer.....	1
I. Intake Adapter 7" x 6".....	1
J. Phillips Head Screws M4-.7 x 8 (Latches)..	8
K. Flange Bolts ¼"-20 x ½" (Funnel).....	6
L. Casters, 2" Swivel Ball.....	4
M. Lock Nuts M4-.7 (Latches).....	8
N. Flange Nuts ¼"-20 (Funnel).....	6
O. Collection Drum Latches.....	2
P. Acorn Nuts ¼"-20 (Handle).....	2
Q. Flange Screws #10-24 x ¾"	
—Intake Adapter.....	1
—Inlet Adapter.....	1
R. Phillips Hd. Screws ¼"-20 x 5/8" (Handle)...	2
S. Open-End Wrench 10/12mm.....	1
T. Handle.....	1
U. Hose Clamps 1½".....	2
V. Plastic Bag 30" X 41" (not shown).....	1

## Specifications

Recommended Horsepower Range.....	1.5–3 HP
Airflow Range.....	750–2300 CFM
Outlet Size.....	7 in.
Inlet Size.....	6 in.
Max. Material Collection Capacity.....	20 Gal.



Figure 1. Inventory—components.

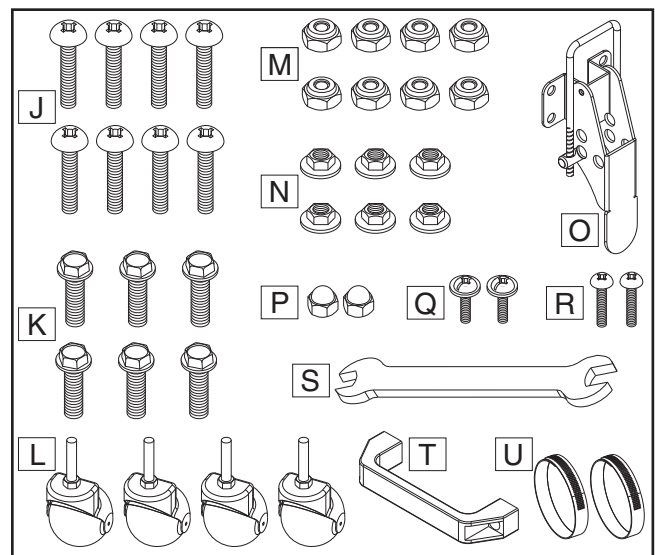
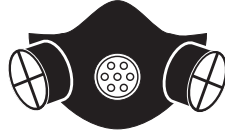


Figure 2. Inventory—hardware.

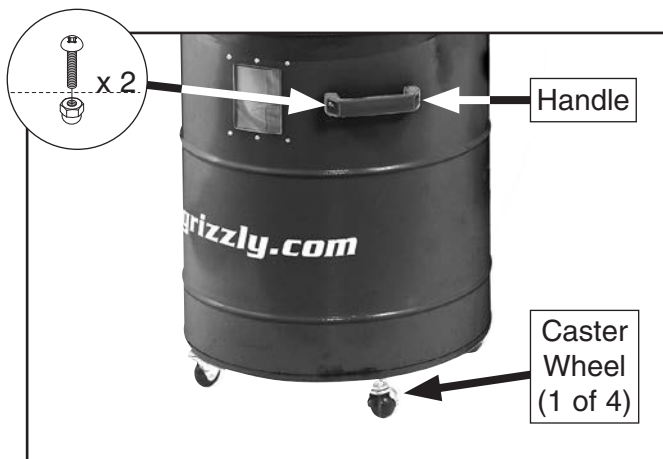
# ! WARNING

To reduce risk of eye injury from flying chips or lung damage from breathing dust, always wear safety glasses and a respirator when operating this machine.



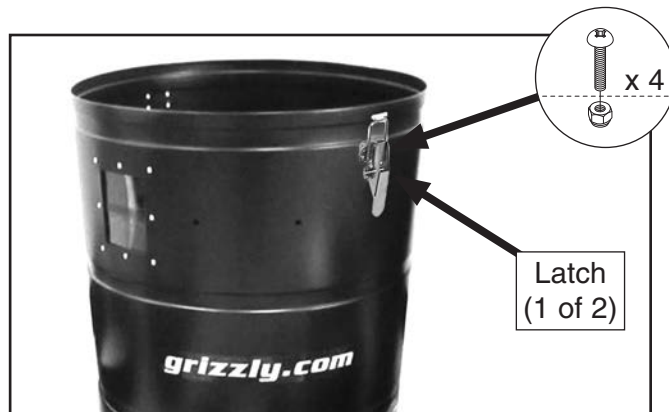
## Assembly

1. Install (4) caster wheels on bottom of collection drum. Then attach handle to drum with (2) 1/4"-20 x 5/8" Phillips head screws and (2) 1/4"-20 acorn nuts (see **Figure 3**).



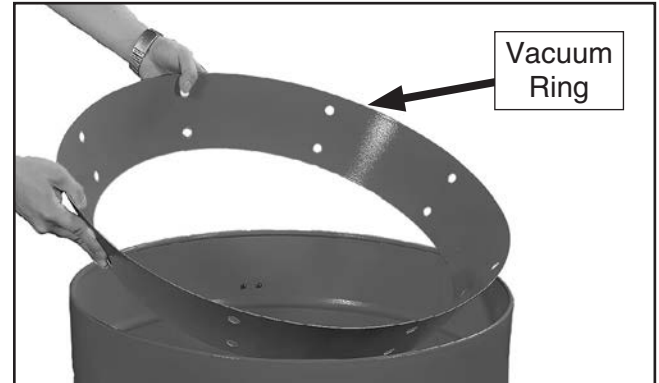
**Figure 3.** Handle and caster wheels installed on collection drum.

2. Install (2) collection drum latches with (8) M4-.7 x 8 Phillips head screws and (8) M4-.7 lock nuts (see **Figure 4**).



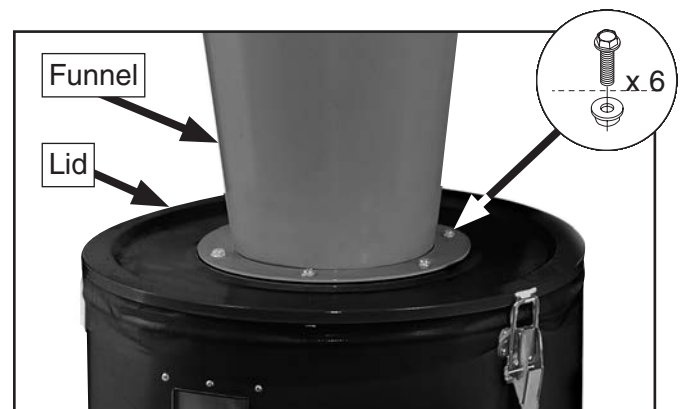
**Figure 4.** Latches installed on collection drum.

3. Place vacuum ring inside collection drum with smaller side of ring facing down, as shown in **Figure 5**.



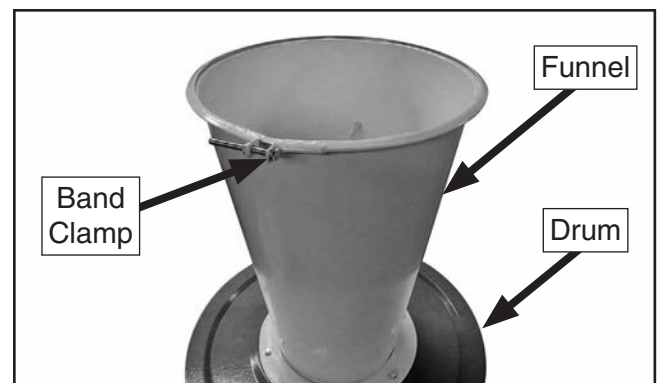
**Figure 5.** Placing vacuum ring inside collection drum.

4. Attach cyclone funnel to collection drum lid using (6) 1/4"-20 x 1/2" flange bolts and (6) 1/4"-20 flange nuts. Then set funnel and lid on collection drum and secure with latches (see **Figure 6**).



**Figure 6.** Funnel attached to collection drum lid.

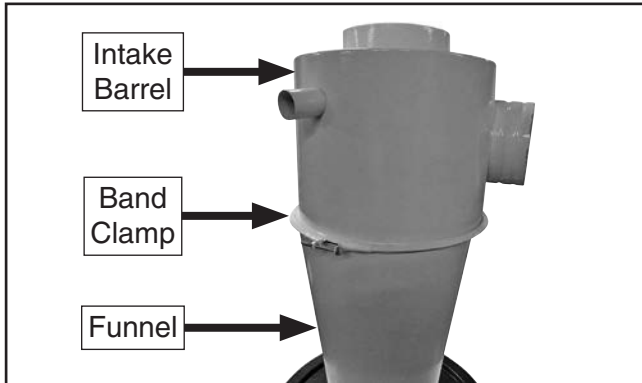
5. Loosen band clamp at top of cyclone funnel (see **Figure 7**) to reveal metal lip.



**Figure 7.** Location of band clamp at top of cyclone funnel.

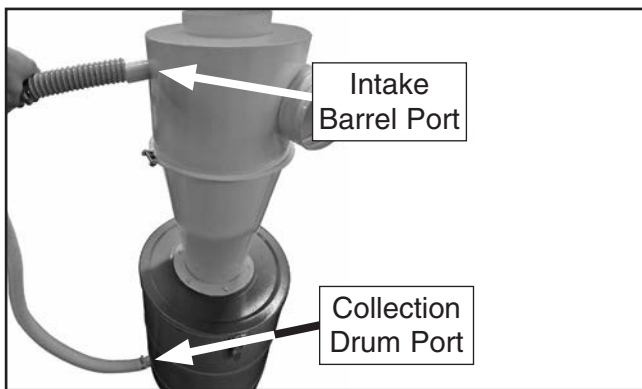


- Place intake barrel on top of funnel (see **Figure 8**), then position clamp so band captures lip at top of funnel *and* lip at bottom of barrel. Tighten clamp to secure.



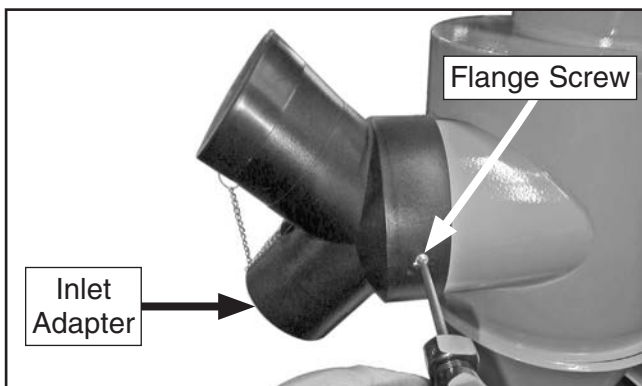
**Figure 8.** Intake barrel attached to funnel.

- Place hose clamps over ends of vacuum hose, then attach one end of vacuum hose to intake barrel (see **Figure 9**) and other end to collection drum. Tighten clamps to secure hose.



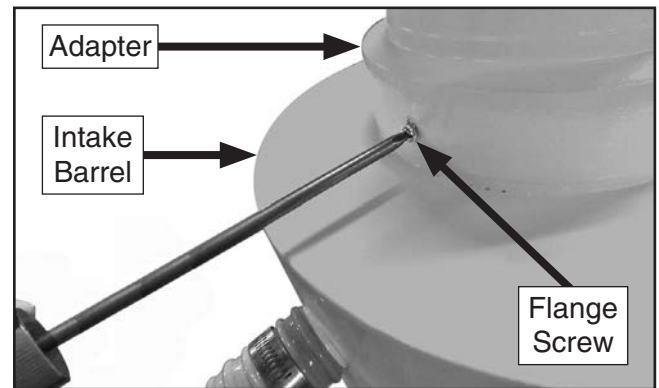
**Figure 9.** Vacuum hose attached to collection drum and intake barrel.

- Install inlet adapter on dust port and secure with #10-24 x 3/8" flange screw (see **Figure 10**).



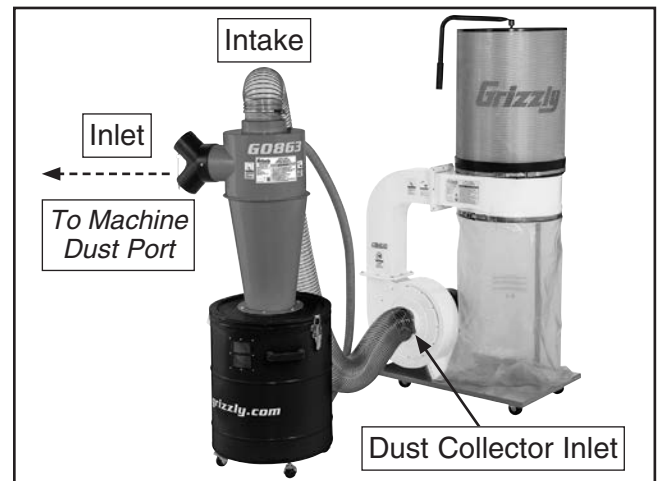
**Figure 10.** Installing inlet adapter on dust port.

- Install intake adapter (see **Figure 11**) on intake barrel with #10-24 x 3/8" flange screw.



**Figure 11.** Installing adapter on intake barrel.

- Insert plastic dust bag inside collection drum, and fold excess length of bag over top of drum.
- Route a dust hose from dust collector inlet to Grizzly Growler intake (see **Figure 12**). Then route a dust hose from Growler inlet to machine dust port. Secure both hoses with clamps.



**Figure 12.** Example of Grizzly Growler properly connected to a dust collector.

## Maintenance

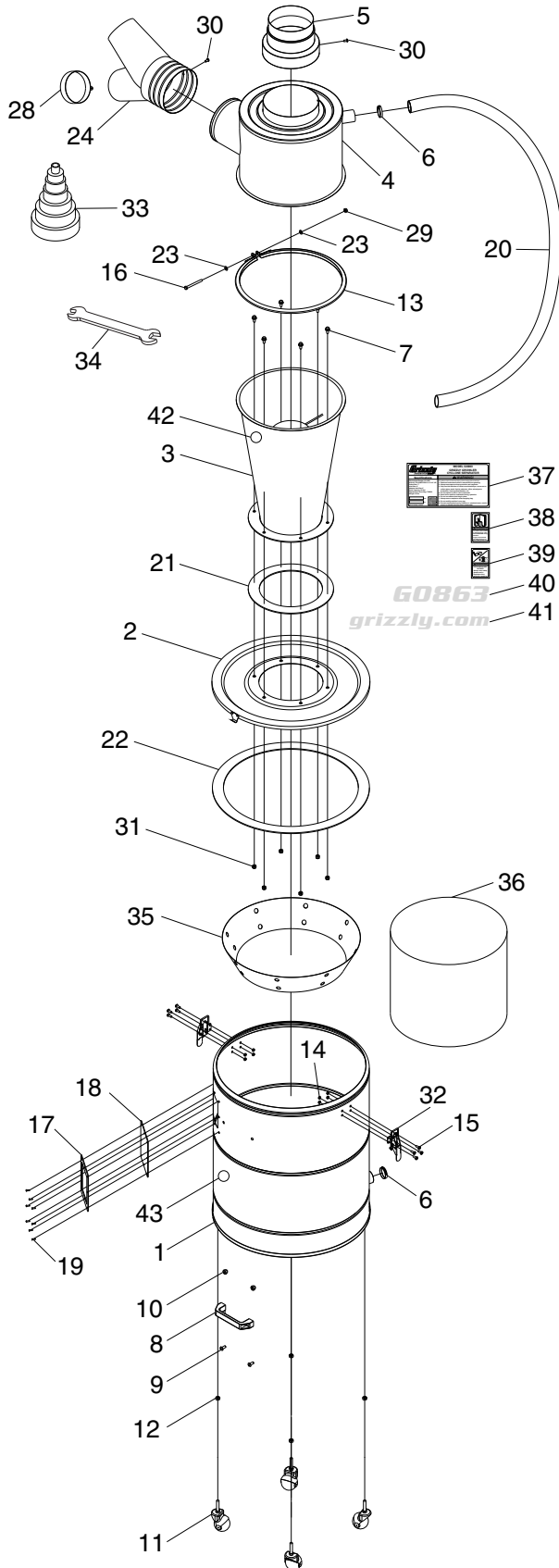
Dispose of the collection drum bag when 3/4 full, as seen in the drum window.

**IMPORTANT:** To contain wood dust and minimize risk of exposure, firmly tie bag closed.

If bag gets overfilled, dust will be sucked into the intake barrel and passed through to the dust collector filter. Check the drum window regularly to prevent excessive dust buildup in collection drum.



# G0863 Parts Breakdown & List



REF PART #	DESCRIPTION
1	P0863001 COLLECTION DRUM
2	P0863002 COLLECTION DRUM LID
3	P0863003 CYCLONE FUNNEL
4	P0863004 INTAKE BARREL
5	P0863005 INTAKE ADAPTER 7" X 6"
6	P0863006 HOSE CLAMP 1-1/2"
7	P0863007 FLANGE BOLT 1/4-20 X 1/2
8	P0863008 HANDLE
9	P0863009 PHLP HD SCR 1/4-20 X 5/8
10	P0863010 ACORN NUT 1/4-20
11	P0863011 CASTER 2" SWIVEL BALL
12	P0863012 HEX NUT 5/16-18
13	P0863013 BAND CLAMP 45"
14	P0863014 LOCK NUT M4-.7
15	P0863015 PHLP HD SCR M4-.7 X 8
16	P0863016 HEX BOLT 1/4-20 X 2-1/2
17	P0863017 FOAM WINDOW GASKET
18	P0863018 COLLECTION DRUM WINDOW (ACRYLIC)
19	P0863019 RIVET 4 X 8MM ALUMINUM
20	P0863020 VACUUM HOSE 1-1/2" X 67"
21	P0863021 FOAM GASKET 850 X 35 X 3MM
22	P0863022 FOAM GASKET 1560 X 35 X 3MM
23	P0863023 FLAT WASHER 1/4
24	P0863024 INLET ADAPTER 6" X 4" X 4"
28	P0863028 INLET CAP 4"
29	P0863029 FLANGE NUT 1/4-20
30	P0863030 FLANGE SCREW 10-24 X 3/8
31	P0863031 FLANGE NUT 1/4-20
32	P0863032 DRUM LID LATCH
33	P0863033 UNIVERSAL REDUCER
34	P0863034 WRENCH 10 X 12MM OPEN-ENDS
35	P0863035 VACUUM RING
36	P0863036 PLASTIC BAG 30" X 41"
37	P0863037 MACHINE ID LABEL
38	P0863038 READ MANUAL LABEL
39	P0863039 EYE/LUNG INJURY LABEL
40	P0863040 MODEL NUMBER LABEL
41	P0863041 GRIZZLY.COM LABEL
42	P0863042 TOUCH-UP PAINT, GRIZZLY GREEN
43	P0863043 TOUCH-UP PAINT, GRIZZLY BLACK

**⚠ WARNING**

Safety labels help reduce the risk of serious injury caused by machine hazards. If any label comes off or becomes unreadable, the owner of this machine **MUST** replace it in the original location before resuming operations. For replacements, contact (800) 523-4777 or [www.grizzly.com](http://www.grizzly.com).

**Please Note:** We do our best to stock replacement parts whenever possible, but we cannot guarantee that all parts shown here are available for purchase. Call (800) 523-4777 or visit our online parts store at [www.grizzly.com](http://www.grizzly.com) to check for availability.

**BUY PARTS ONLINE AT GRIZZLY.COM!**  
Scan QR code to visit our Parts Store.

