



MODEL G0871 ROLLER STAND FOR G0869 BENCHTOP TABLE SAW INSTRUCTIONS

For questions or help with this product contact Tech Support at (570) 546-9663 or techsupport@grizzly.com

Introduction

Model G0871 Roller Stand allows you to quickly and easily mount your Model G0869 Benchtop Table Saw onto a stable, yet portable work surface. To mount Model G0869 to this stand, follow the instructions below.

Note: This Roller Stand is designed only for use with the Model G0869 Benchtop Table Saw or as a replacement for the stand that comes with Model G0870 Portable Table Saw. Do not attempt to use Model G0871 as a stand for any other machine.

Inventory (Figure 1)

Description	Qty
A. Roller Stand (Not Shown).....	1
B. Left & Right Handles (Not Shown)	1 Ea.
C. Carriage Bolts M8-1.25 x 40.....	4
D. Button Head Cap Screws M8-1.25 x 16	2
E. Hex Wrench 5mm.....	1
F. Flat Wrench 10mm/13mm	1
G. Wheels	2
H. Lock Nuts M8-1.25	10
I. Button Head Cap Screws M8-1.25 x 40.....	4
J. Flat Washers 8mm	6

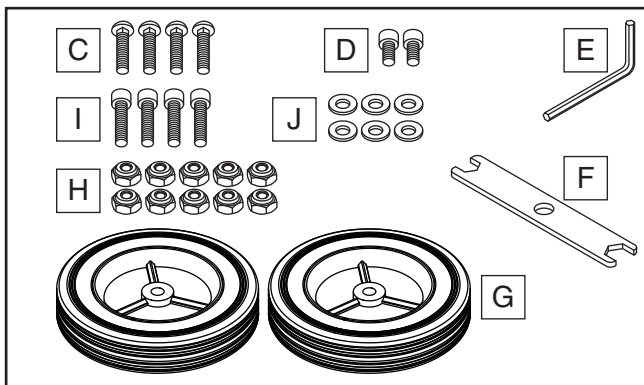


Figure 1. Model G0871 inventory.

Assembly

1. Attach each wheel to axle with (1) 8mm flat washer and (1) M8-1.25 lock nut (see **Figure 2**).
2. Attach left handle to stand body with (2) M8-1.25 x 16 button head cap screws (see **Figure 2**).
3. Attach right handle to stand body with (4) M8-1.25 x 40 button head cap screws and (4) M8-1.25 lock nuts (see **Figure 2**).

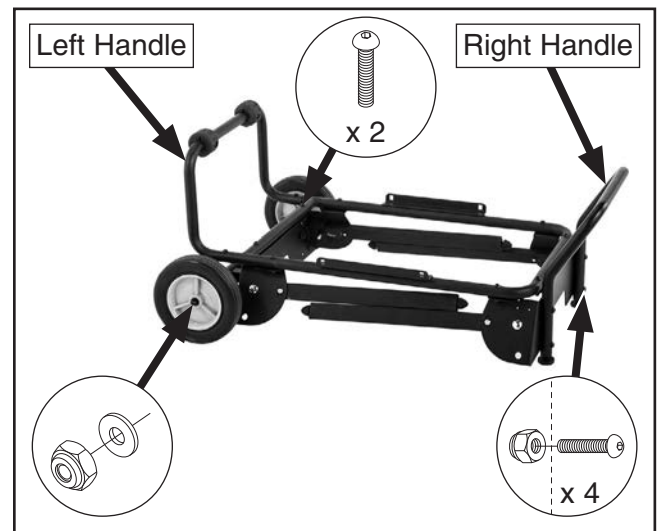


Figure 2. Model G0871 assembly.

Mounting Table Saw to Stand

1. Push leg lock buttons in and unfold legs until lock buttons click into place in holes shown in **Figure 3**.

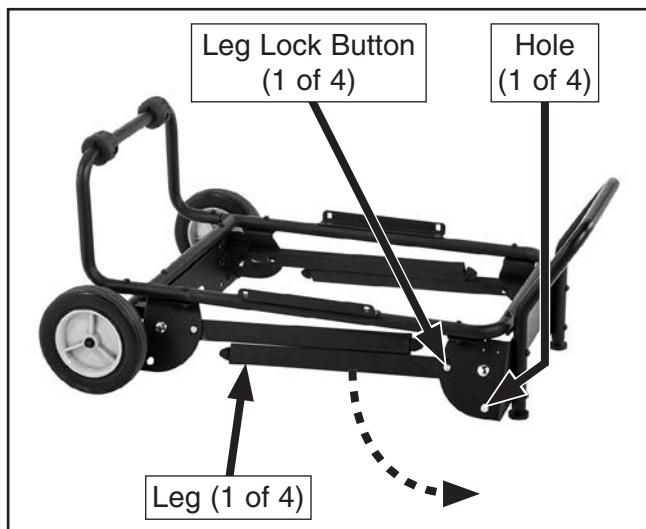


Figure 3. Location of stand legs, leg lock buttons, and leg lock holes.

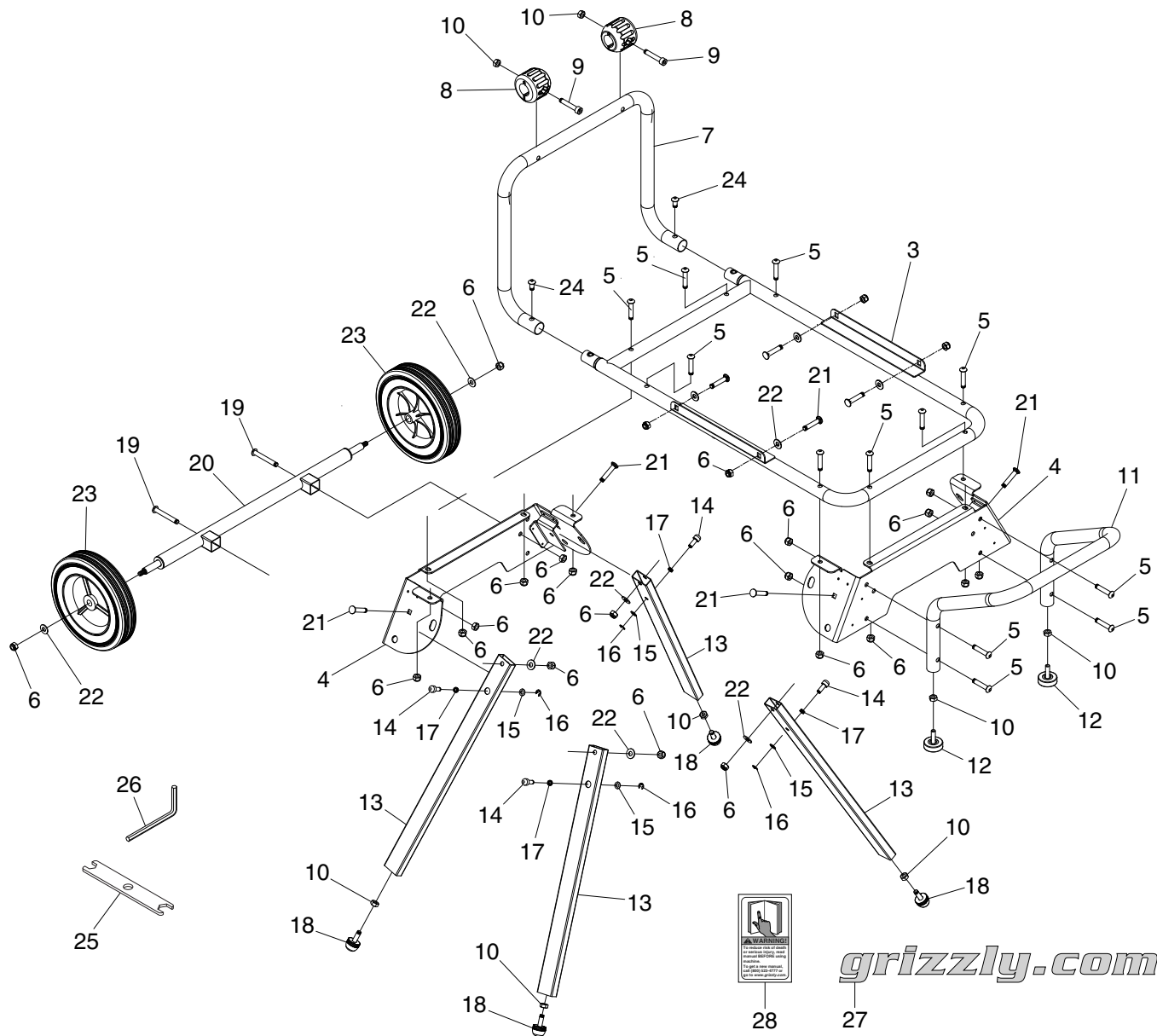
2. Place table saw unit on stand. Secure with (4) M8-1.25 x 40 carriage bolts, (4) 8mm flat washers, and (4) M8-1.25 lock nuts (see **Figure 4**).

Note: Table saw mounts to stand facing either direction—with stand wheels oriented to the left or to the right.



Figure 4. Model G0869 mounted on Model G0871 Roller Stand.

G0871 Parts



REF	PART #	DESCRIPTION
3	P0871003	STAND BODY
4	P0871004	STAND LEG BRACKET
5	P0871005	BUTTON HD CAP SCR M8-1.25 X 40
6	P0871006	LOCK NUT M8-1.25
7	P0871007	HANDLE (LEFT)
8	P0871008	BUMPER
9	P0871009	CAP SCREW M8-1.25 X 45
10	P0871010	HEX NUT M8-1.25
11	P0871011	HANDLE (RIGHT)
12	P0871012	HANDLE FOOT M8-1.25 X 22
13	P0871013	STAND LEG
14	P0871014	CLEVIS PIN, BUTTON HEAD-GROOVED
15	P0871015	FLAT WASHER 7MM

REF	PART #	DESCRIPTION
16	P0871016	E-CLIP 7MM
17	P0871017	COMPRESSION SPRING 0.8 X 9.3 X 18
18	P0871018	RUBBER FOOT M8-1.25 X 20
19	P0871019	CAP SCREW M8-1.25 X 60
20	P0871020	WHEEL AXLE
21	P0871021	CARRIAGE BOLT M8-1.25 X 40
22	P0871022	FLAT WASHER 8MM
23	P0871023	WHEEL
24	P0871024	BUTTON HD CAP SCR M8-1.25 X 16
25	P0871025	FLAT WRENCH 10 X 13MM
26	P0871026	HEX WRENCH 5MM
27	P0871027	GRIZZLY.COM LABEL
28	P0871028	READ MANUAL LABEL

Please Note: We do our best to stock replacement parts whenever possible, but we cannot guarantee that all parts shown here are available for purchase. Call (800) 523-4777 or visit our online parts store at www.grizzly.com to check for availability.



grizzly.com[®]
TOOL WEBSITE

Buy Direct and Save with Grizzly[®] – Trusted, Proven and a Great Value!
~Since 1983~

***Visit Our Website Today For
Current Specials!***

**ORDER
24 HOURS A DAY!
1-800-523-4777**

