



# MODEL G2527

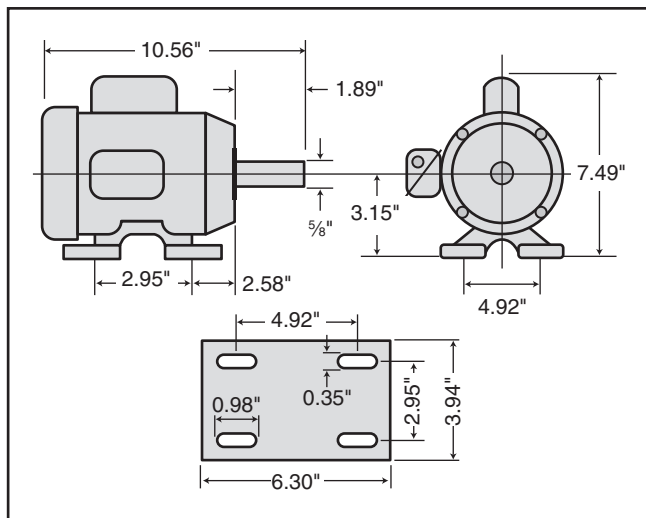
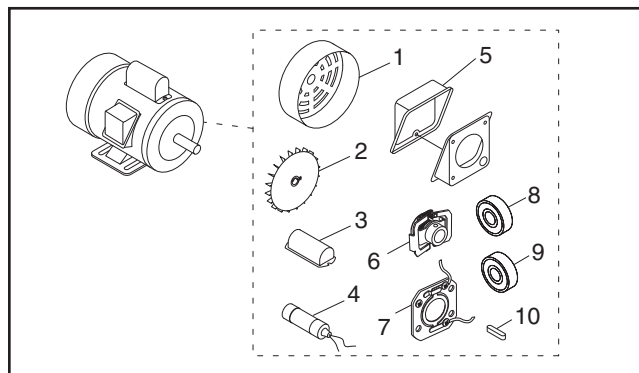
## 1/3 HP ELECTRIC MOTOR

### INSTRUCTION SHEET

#### Model G2527 Specifications

Power ..... 1/3 HP  
 Cycle..... 60 Hz  
 Voltage ..... 110V/220V  
 Prewired ..... 110V  
 Amps ..... 5.3A/2.7A  
 Speed ..... 1725 RPM  
 Phase ..... Single-Phase  
 Class..... E  
 Start Capacitor ..... 200MFD 125VAC  
 Dimensions..... 1 3/8"D x 2 3/8"L


#### Replaceable Parts



REF	PART #	DESCRIPTION
1	P2527001	MOTOR FAN COVER
2	P2527002	MOTOR FAN
3	P2527003	S CAPACITOR COVER
4	PC2001	S CAPACITOR 200M 125V 1-3/8 X 2-3/8
5	P2527005	JUNCTION BOX
6	PCS006	CENTRIFUGAL SWITCH 1/2-1725
7	PCP001	CONTACT PLATE
8	P6202ZZ	BALL BEARING 6202ZZ
9	P6203ZZ	BALL BEARING 6203ZZ
10	PK15	KEY 3/16 X 3/16 X 1-1/4

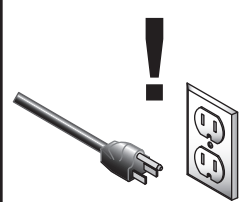
#### Making Wire Connections

If you are unsure how to attach wires to terminals, DO NOT continue. Contact an electrician for assistance. Connecting wires improperly may cause them to come loose or contact other wires, which can cause electrocution, fire, or a short.



### ! WARNING

Electrocution or fire could result if this motor is not grounded correctly or if your wire connections do not comply with local and state codes. Ensure compliance by checking with an electrician!



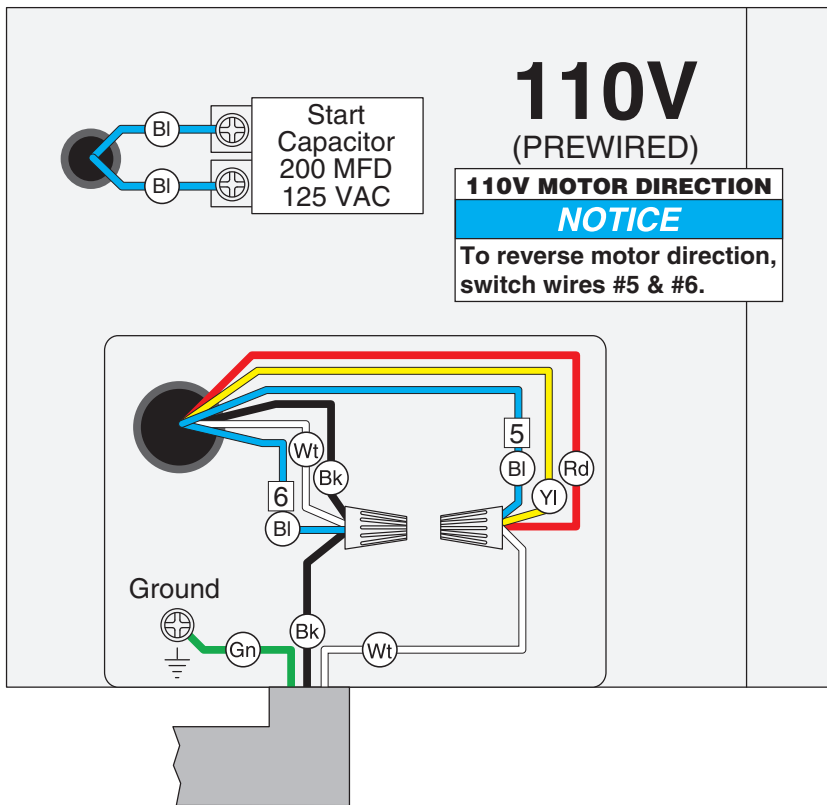
### ! WARNING

Disconnect power when replacing motor. Failure to do this may result in serious personal injury.

COPYRIGHT © DECEMBER, 2007 BY GRIZZLY INDUSTRIAL, INC., REVISED JULY, 2012 (TS)  
**WARNING: NO PORTION OF THIS INSTRUCTION SHEET MAY BE REPRODUCED IN ANY SHAPE OR FORM WITHOUT THE WRITTEN APPROVAL OF GRIZZLY INDUSTRIAL, INC.**

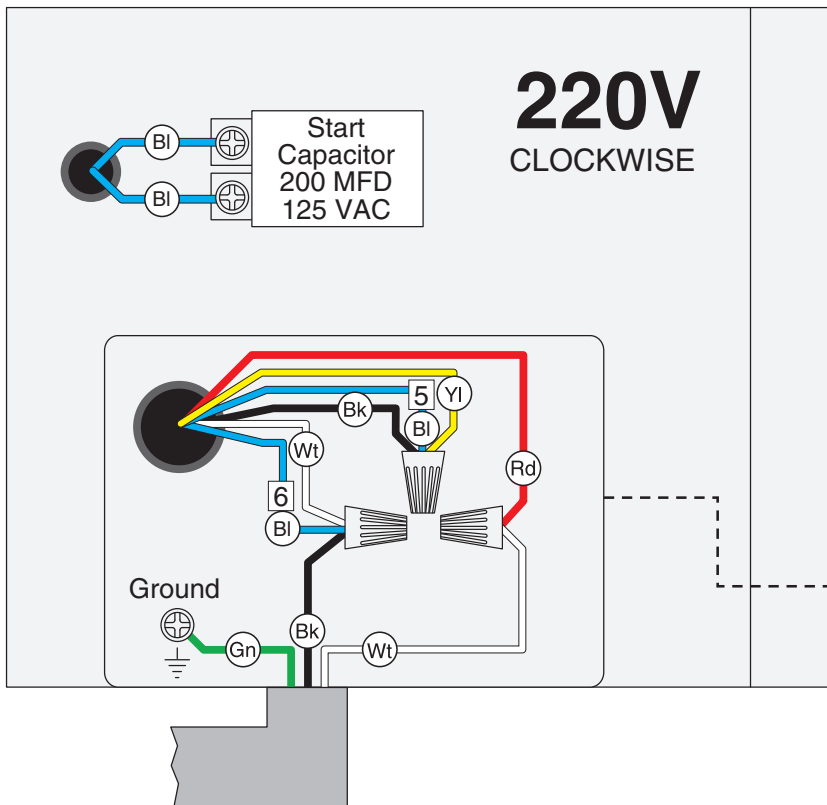
#JB10228 PRINTED IN TAIWAN

# G2527 Wiring Diagram



### COLOR KEY

BLACK	
WHITE	
GREEN	
RED	
YELLOW	
BLUE	



### NOTICE

The motor wiring shown here is current at the time of printing, but it may not match your machine. Always use the wiring diagram inside the motor junction box.

