



MODEL G2528

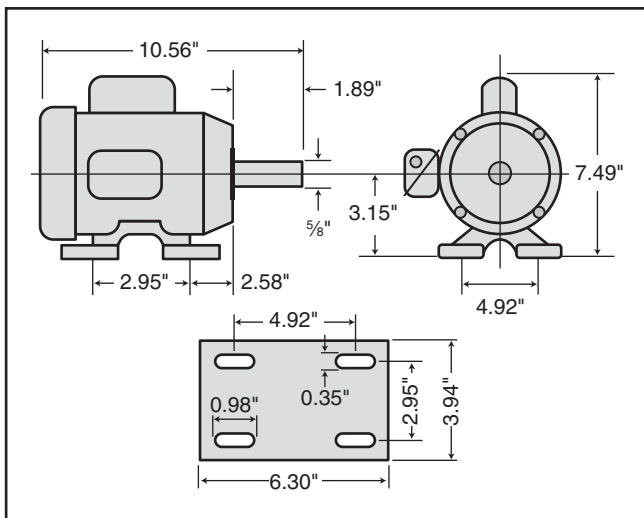
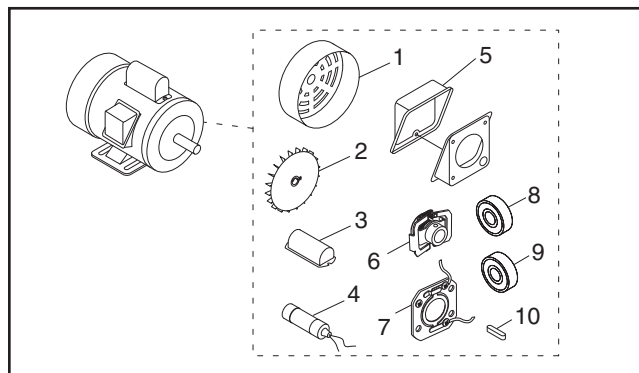
1/2 HP ELECTRIC MOTOR

INSTRUCTION SHEET

Model G2528 Specifications

Power 1/2 HP
 Cycle..... 60 Hz
 Voltage 110V/220V
 Prewired 110V
 Amps 8A/4A
 Speed 1725 RPM
 Phase Single-Phase
 Class..... E
 Start Capacitor 200MFD 125VAC
 Dimensions..... 1 3/8"D x 2 3/8"L

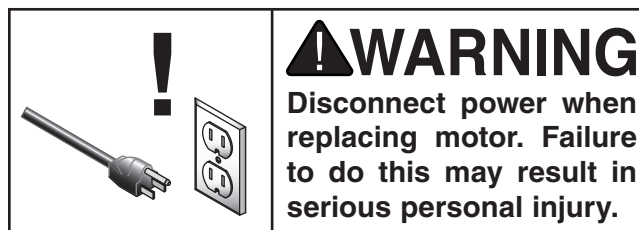
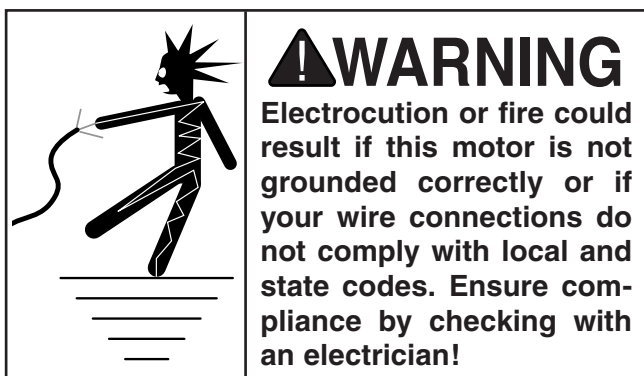
Replaceable Parts



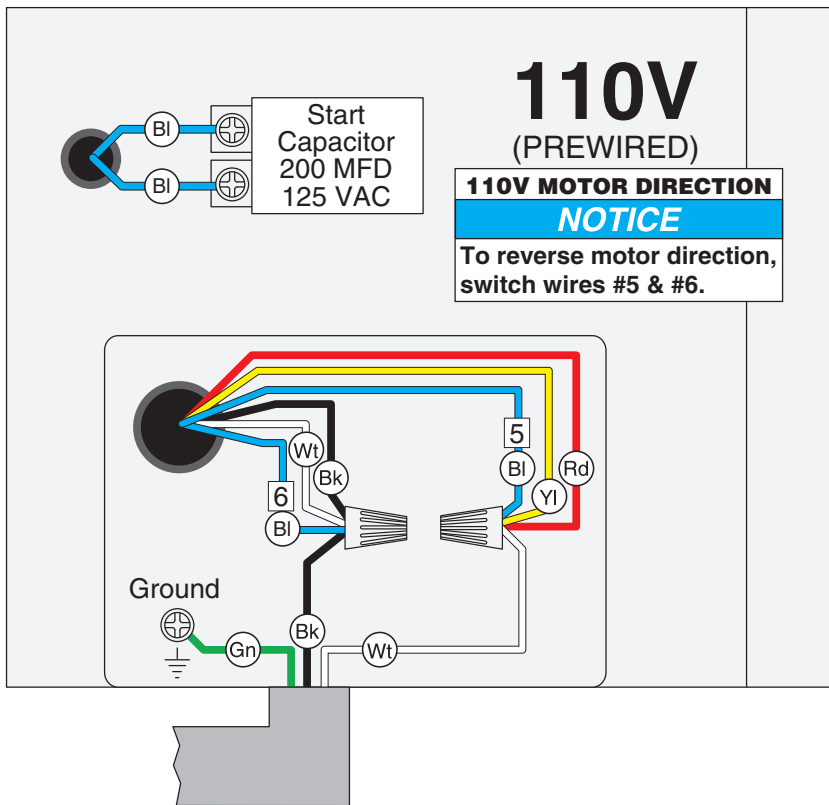
REF	PART #	DESCRIPTION
1	P2528001	MOTOR FAN COVER
2	P2528002	MOTOR FAN
3	P2527003	S CAPACITOR COVER
4	PC200I	S CAPACITOR 200M 125V 1-3/8 X 2-3/8
5	P2528005	JUNCTION BOX
6	PCS006	CENTRIFUGAL SWITCH 1/2-1725
7	PCP001	CONTACT PLATE
8	P6202ZZ	BALL BEARING 6202ZZ
9	P6203ZZ	BALL BEARING 6203ZZ
10	PK15	KEY 3/16 X 3/16 X 1-1/4

Making Wire Connections

If you are unsure how to attach wires to terminals, DO NOT continue. Contact an electrician for assistance. Connecting wires improperly may cause them to come loose or contact other wires, which can cause electrocution, fire, or a short.

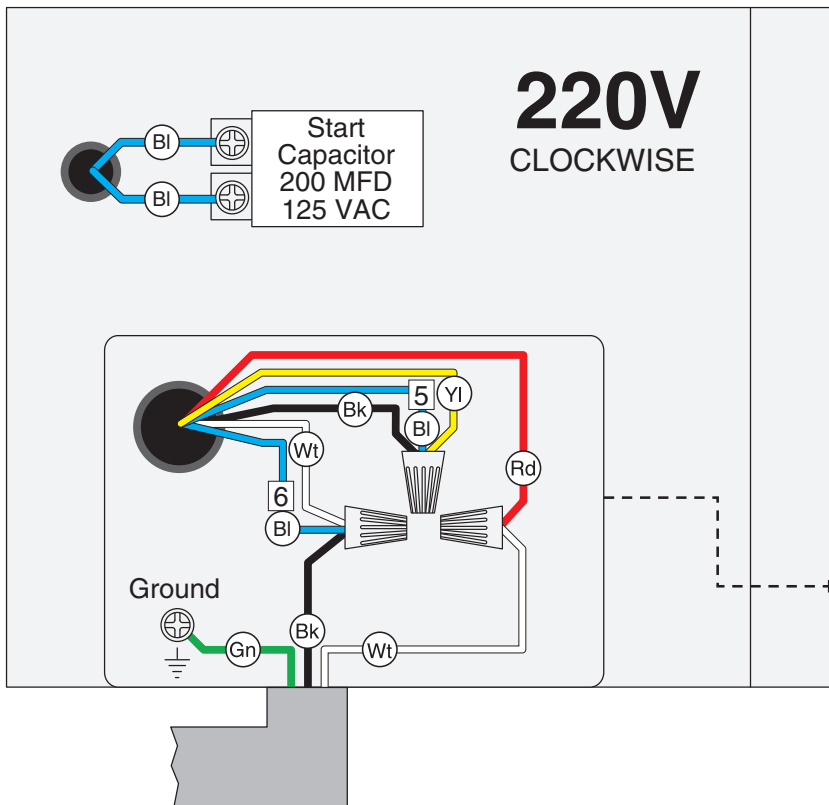


G2528 Wiring Diagram



COLOR KEY

BLACK	
WHITE	
GREEN	
RED	
YELLOW	
BLUE	



NOTICE

The motor wiring shown here is current at the time of printing, but it may not match your machine. Always use the wiring diagram inside the motor junction box.

